

Excellent Integrated System Limited

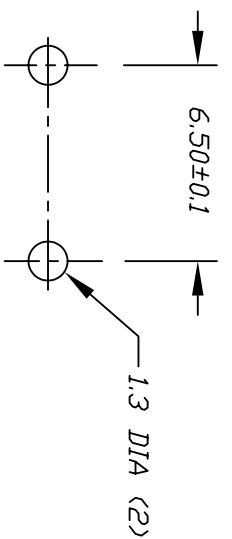
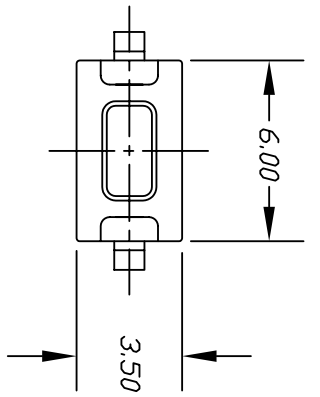
Stocking Distributor

Click to view price, real time Inventory, Delivery & Lifecycle Information:

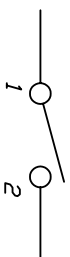
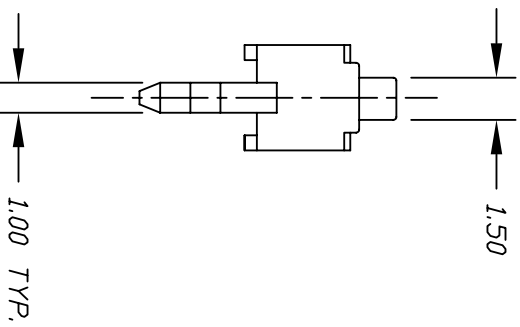
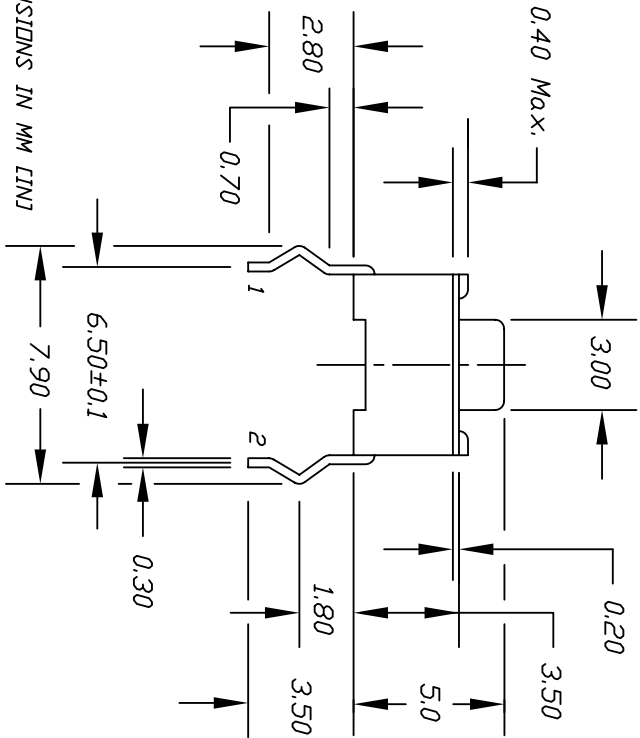
[E-Switch](#)
[TL1107BF260WQ](#)

For any questions, you can email us directly:

sales@integrated-circuit.com



RECOMMEND P.C.B. HOLES



CIRCUIT: SPST
 CONTACT CONFIGURATION

- NOTES:
1. ALL DIMENSIONS IN MM (IN)
 2. TERM. NOS. FOR REF. ONLY
 3. RATING: DC 12V, 50mA
 4. TRAVEL: 0.25±0.1mm
 5. CONTACT RESISTANCE: 100m Ohms Max.
 6. MECHANICAL/ELECTRICAL LIFE: 30,000 CYCLES
 7. 2002/95/EC (RHS) COMPLIANT
 8. PACKAGE: BULK 1,000 PER BAG

REV.	DESCRIPTION	DATE	CHKD
C	UPDATED NOTES	11/7/06	TN
B	REVISED & REDRAWN		

TOLERANCES	
0.0	±0.4
0.00	±0.25

TITLE	SCALE	DATE	DR	DWG	REV
TL1107BF260W	4:1	11/7/06	TN	P010315	C

E-SWITCH®

THE INFORMATION CONTAINED IN THIS DOCUMENT IS PROPRIETARY TO E-SWITCH AND IS NOT TO BE COPIED OR TRANSFERRED