

## Excellent Integrated System Limited

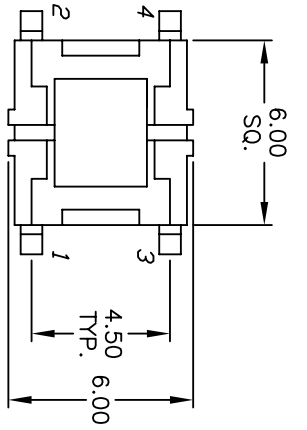
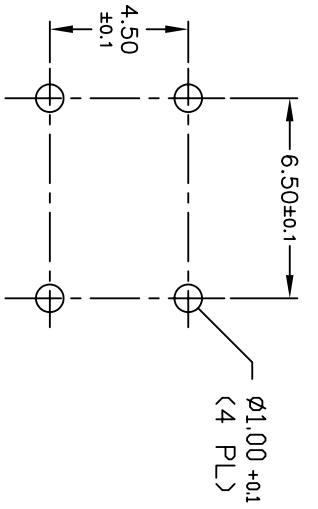
Stocking Distributor

Click to view price, real time Inventory, Delivery & Lifecycle Information:

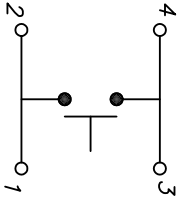
[E-Switch](#)  
[TL1240NQ](#)

For any questions, you can email us directly:

[sales@integrated-circuit.com](mailto:sales@integrated-circuit.com)



RECOMMENDED P.C.B. LAYOUT

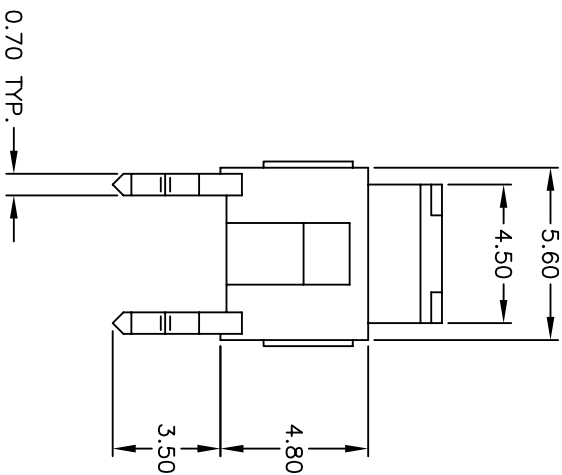
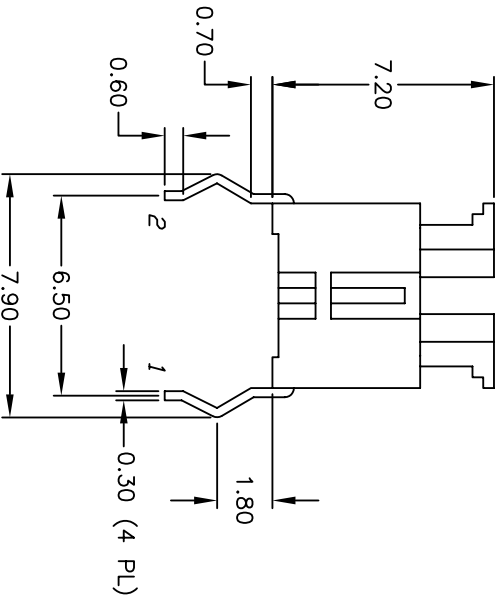


CIRCUIT: SPST

CONTACT CONFIGURATION

NOTES:

1. ALL DIMENSIONS IN MM
2. GENERAL TOLERANCE: X.X=±0.4  
X.XX=±0.25
3. RATING: 50mA, 12VDC
4. CONTACT MATERIAL: Silver
5. TRAVEL: 0.25 +0.2/0.1mm
6. OPERATING FORCE: 160±50gf
7. CONTACT RESISTANCE: 100mILLI-Ohms Max
8. 2002/95/EC (ROHS) COMPLIANT



D	15281	REV. DESCRIPTION, ROHS NOTE	9/14/05	PH
C	11324	REVISED PART DESCRIPTION	7/20/01	CJB
REV.	ECN No.	DESCRIPTION	DATE	CHKD

THE INFORMATION CONTAINED IN THIS DOCUMENT IS PROPRIETARY TO E-SWITCH AND IS NOT TO BE COPIED OR TRANSFERRED

TITLE	SCALE	DATE	DR	DWG	REV
TL1240NQ	4:1	7/30/01	CJB	P010330	D

**E-SWITCH**