

Excellent Integrated System Limited

Stocking Distributor

Click to view price, real time Inventory, Delivery & Lifecycle Information:

[Murata Electronics North America](#)
[BNX022-01L](#)

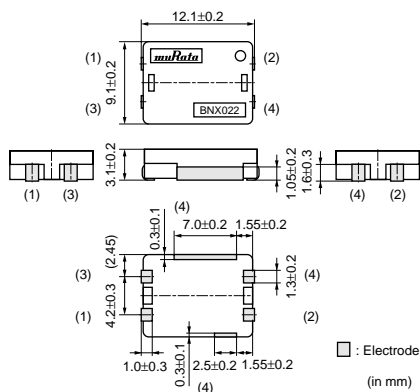
For any questions, you can email us directly:

sales@integrated-circuit.com

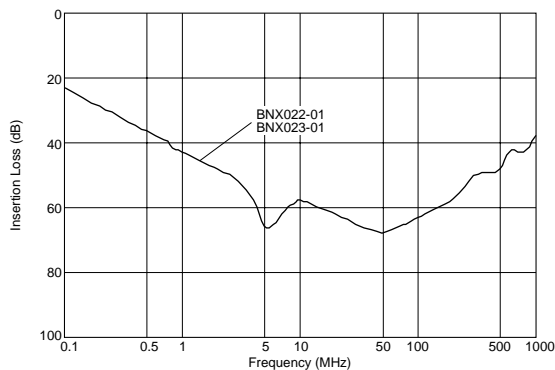
Block Type EMIFIL® LC Combined Type

BNX02* Series

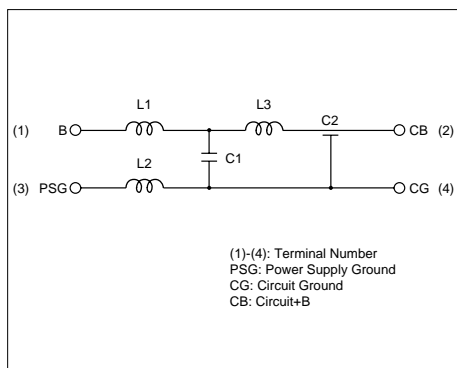
■ Dimensions



■ Insertion Loss Characteristics



■ Equivalent Circuit



■ Packaging

| Code | Packaging | Minimum Quantity |
|------|---------------------|------------------|
| L | 180mm Embossed Tape | 400 |
| K | 330mm Embossed Tape | 1500 |
| B | Bulk(Bag) | 100 |

■ Rated Value (□: packaging code)

| Part Number | Rated Voltage | Withstand Voltage | Rated Current | Insulation Resistance(min.) | Insertion Loss |
|-------------|---------------|-------------------|---------------|-----------------------------|---|
| BNX022-01□ | 50Vdc | 125Vdc | 10A | 500M ohm | 1MHz to 1GHz:35dB min. (20 to 25 degrees C line impedance=50 ohm) |
| BNX023-01□ | 100Vdc | 250Vdc | 15A | 500M ohm | 1MHz to 1GHz:35dB min. (20 to 25 degrees C line impedance=50 ohm) |

Operating Temperature Range: -40°C to 125°C


In operating temperatures exceeding +85°C, derating of current is necessary.

Continued on the following page.

● This data sheet is applied for Block Type EMIFIL® used for General Electronics equipment for your design.

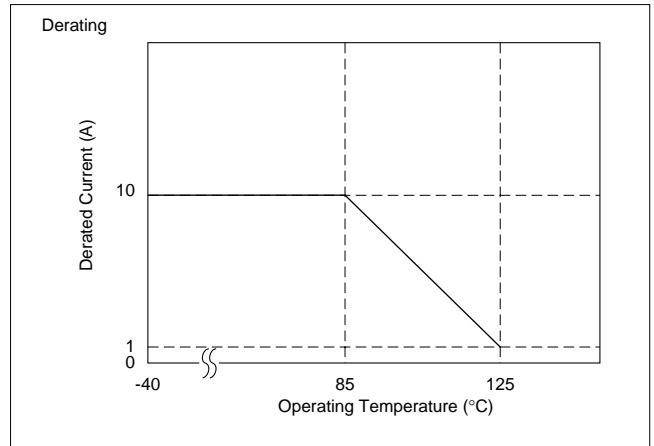
⚠ Note:

1. This datasheet is downloaded from the website of Murata Manufacturing co., Ltd. Therefore, it's specifications are subject to change or our products in it may be discontinued without advance notice. Please check with our sales representatives or product engineers before ordering.
2. This datasheet has only typical specifications because there is no space for detailed specifications. Therefore, please approve our product specifications or transact the approval sheet for product specifications before ordering.

 Continued from the preceding page.

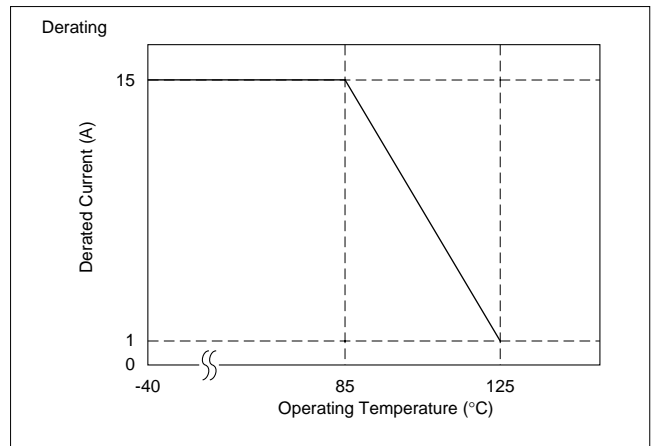
■ Notice (Rating)

In operating temperatures exceeding +85°C, derating of current is necessary for BNX022 series. Please apply the derating curve shown in chart according to the operating temperature.



■ Notice (Rating)

In operating temperatures exceeding +85°C, derating of current is necessary for BNX023 series. Please apply the derating curve shown in chart according to the operating temperature.



■ ⚠ Caution (Rating)

Do not use products beyond the rated current and rated voltage as this may create excessive heat and deteriorate the insulation resistance.

● This data sheet is applied for Block Type EMIFIL® used for General Electronics equipment for your design.

⚠ Note:

1. This datasheet is downloaded from the website of Murata Manufacturing co., Ltd. Therefore, it's specifications are subject to change or our products in it may be discontinued without advance notice. Please check with our sales representatives or product engineers before ordering.
2. This datasheet has only typical specifications because there is no space for detailed specifications. Therefore, please approve our product specifications or transact the approval sheet for product specifications before ordering.