

Excellent Integrated System Limited

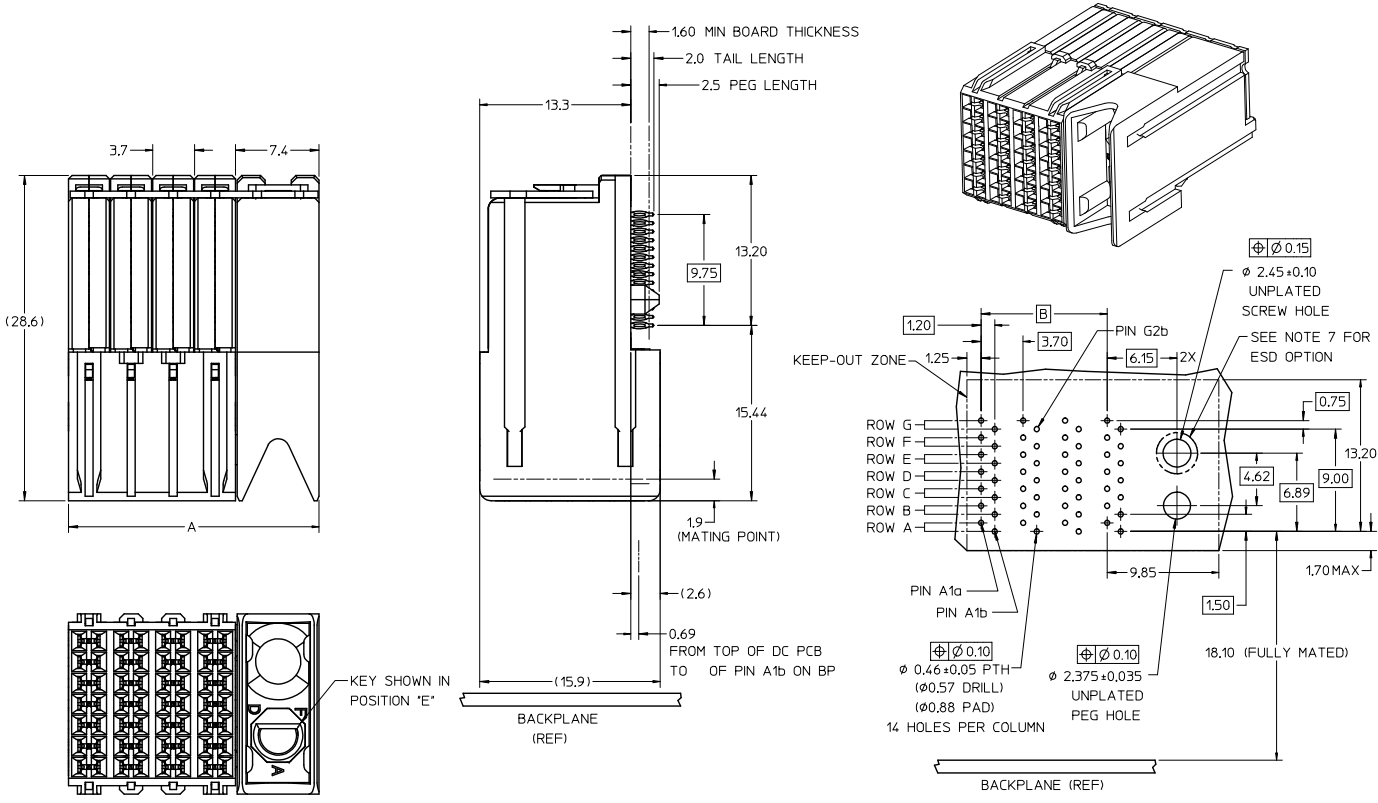
Stocking Distributor

Click to view price, real time Inventory, Delivery & Lifecycle Information:

[Molex Connector Corporation](#)
[76020-5004](#)

For any questions, you can email us directly:

sales@integrated-circuit.com



DAUGHTERCARD HOLE PATTERN
(CONNECTOR SIDE)

- NOTES:
1. MATERIALS: HOUSING - LIQUID CRYSTAL POLYMER (LCP)/GLASS-FILLED, UL 94V-0
TERMINALS - HIGH PERFORMANCE COPPER ALLOY
 2. FINISH: SELECTIVE GOLD (Au) IN CONTACT AREA,
SELECTIVE MATTE TIN (Sn) IN TAIL AREA,
NICKEL (Ni) UNDERPLATE OVERALL.
 3. REFER TO MOLEX PRODUCT SPECIFICATION PS-75710-999 FOR PERFORMANCE SPECS.
 4. PRODUCT IS PACKAGED PER PK-70873-607.
 5. THIS PART CONFORMS TO CLASS B REQUIREMENTS OF COSMETIC SPEC PS-45499-002.
 6. GUIDED PARTS TO BE SHIPPED WITH 2-32 TYPE AB
SELF-TAPPING SCREW P/N 73726-0005.
 7. FOR GROUNDED GUIDE MODULES USE DIA 2.45+/-0.10 (PTH), DIA 2.58 (DRILL),
AND DIA 4.50 (PAD).
 8. MAPS (MOLEX ADVANCED PLATING SYSTEM).

| | | | | | | | | | | |
|---|--------------------------------------|---------------------------------------|------------|--|-----------|--------------|---------------------|------------------------|---------------|-----------|
| LEAD FREE CON/MAPS EIC NO: UCP2015-4120 DRAWN BY: 2012/11/12 CHK'D BY: 2013/03/19 APPR'D BY: 2013/06/05 | QUALITY SYMBOLS ∇=0 ∇=0 ∇=0 | GENERAL TOLERANCES (UNLESS SPECIFIED) | | DIMENSION STYLE | | SCALE | DESIGN UNITS | THIRD ANGLE PROJECTION | | |
| | | | | MM ONLY | | 4:1 | METRIC | | | |
| | | 4 PLACES ± | 3 PLACES ± | 2 PLACES ± | 1 PLACE ± | 0 PLACE ± | DRAWN BY: MCARRANZA | | DATE: 3/20/06 | |
| | | ANGULAR ±1/2° | | DRAFT WHERE APPLICABLE MUST REMAIN WITHIN DIMENSIONS | | MATERIAL NO. | | DOCUMENT NO. | | SHEET NO. |
| | | | | SEE CHART | | SD-76020-004 | | 1 OF 2 | | |
| THIS DRAWING CONTAINS INFORMATION THAT IS PROPRIETARY TO MOLEX INCORPORATED AND SHOULD NOT BE USED WITHOUT WRITTEN PERMISSION | | | | | | | | | | |

| MATERIAL NUMBER | # OF COLUMNS | DIM. 'A' MAX. | DIM. 'B' |
|-----------------|--------------|---------------|----------|
| 76020-****4 | 4 | 22.20 | 11.10 |
| 76020-****6 | 6 | 29.60 | 18.50 |
| 76020-****0 | 10 | 44.40 | 33.30 |

76020-****

MODULE STYLE AND TAIL PLATING TYPE

- 4 = GUIDE RIGHT, MATTE TIN (FORMERLY TIN/LEAD)
- 5 = GUIDE RIGHT, MATTE TIN

POLARIZATION KEY ORIENTATION

- 0 = NO KEY
- 1 = A
- 2 = B
- 3 = C
- 4 = D
- 5 = E
- 6 = F
- 7 = G
- 8 = H

OF COLUMNS/PLATING

- 04 = 4 COL 30 GOLD
- 06 = 6 COL 30 GOLD
- 10 = 10 COL 30 GOLD
- 44 = 4 COL 10 GOLD (MAPS)
- 46 = 6 COL 10 GOLD (MAPS)
- 40 = 10 COL 10 GOLD (MAPS)
- 54 = 4 COL W/ESD CLIP 30 GOLD
- 56 = 6 COL W/ESD CLIP 30 GOLD
- 50 = 10 COL W/ESD CLIP 30 GOLD
- 74 = 4 COL W/ESD CLIP 10 GOLD (MAPS)
- 76 = 6 COL W/ESD CLIP 10 GOLD (MAPS)
- 70 = 10 COL W/ESD CLIP 10 GOLD (MAPS)

| | | | | | | | | | |
|---|---------------------|--|----------------------|-----------------------|----------------------|-------------|--|---|--|
| SEE SHEET 1 EC NO: UCP2013-4120 DRW: BARKER 2012/11/12 CHK: KIMULFE 2013/03/19 APPR: SMILLER 2013/08/05 | QUALITY SYMBOLS | GENERAL TOLERANCES (UNLESS SPECIFIED) | | DIMENSION STYLE | | SCALE | DESIGN UNITS | THIRD ANGLE PROJECTION | |
| | | | | MM ONLY | | 1:1 | METRIC | | |
| | | 4 PLACES ± --- ± --- | 3 PLACES ± --- ± --- | 2 PLACES ± 0.13 ± --- | 1 PLACE ± 0.25 ± --- | 0 PLACE ± ± | DRAWN BY: MCARRANZA CHECKED BY: JLAURX APPROVED BY: JLAURX | DATE: 3/20/06 DATE: 3/21/06 DATE: 3/21/06 | TITLE: I-TRAC DAUGHTERCARD 7 ROW GUIDE RIGHT SIGNAL MODULE |
| | | DRAFT WHERE APPLICABLE MUST REMAIN WITHIN DIMENSIONS | | ANGULAR ± 1/2° | | SEE CHART | | MATERIAL NO. SD-76020-004 DOCUMENT NO. | SHEET NO. 2 OF 2 |