

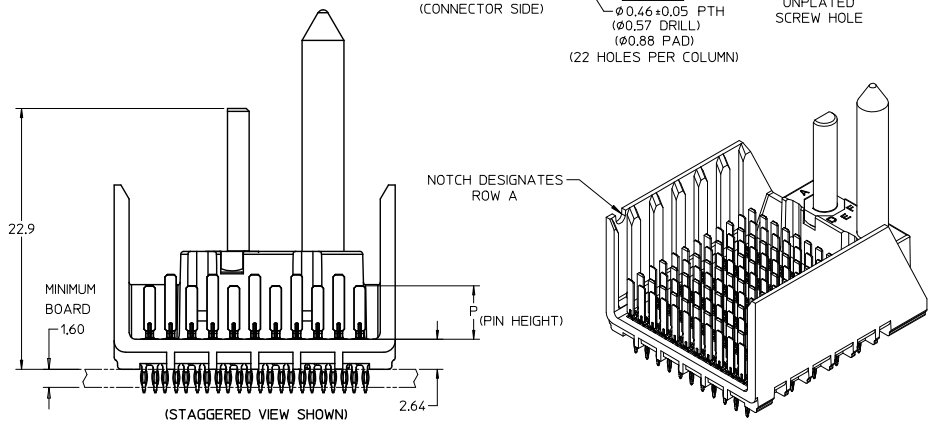
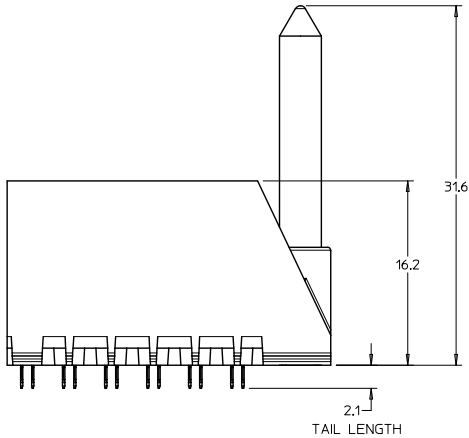
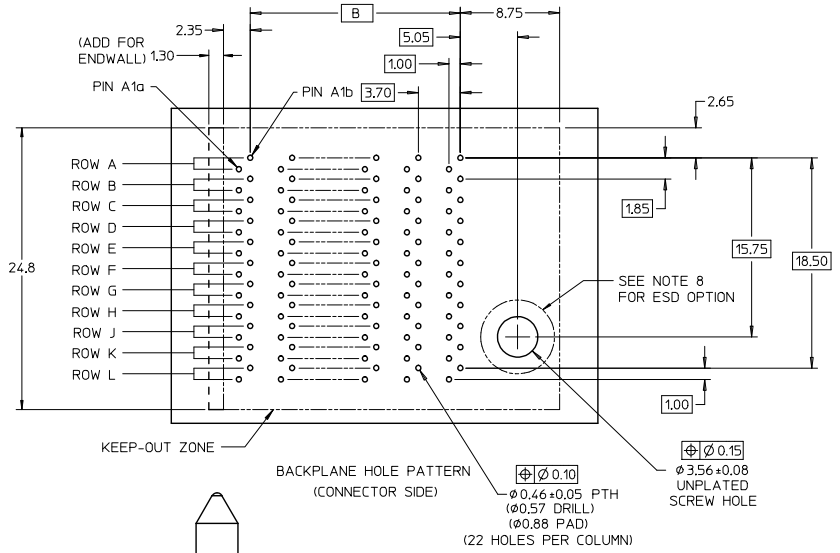
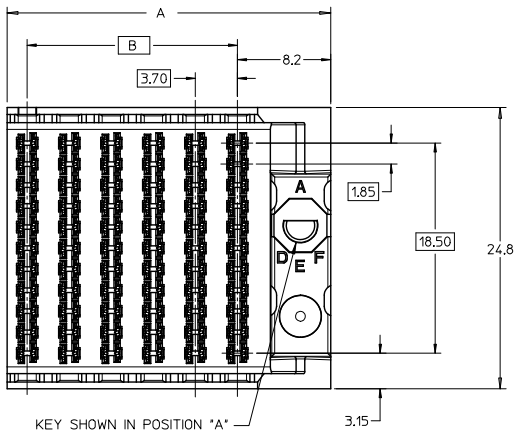
Excellent Integrated System Limited

Stocking Distributor

Click to view price, real time Inventory, Delivery & Lifecycle Information:

[Molex Connector Corporation](#)
[75705-5103](#)

For any questions, you can email us directly:
sales@integrated-circuit.com



| | | | | | | | | | | | |
|---|--------------------------------------|---------------------------------------|-----|-----------------|---------|---|--------------|--|--|--|--|
| LEADFREE CONVERS. EC NO: UCP2015-0898 DRAWN BY: 2012/11/2 CHK: CHMOLFE APPR: SMILLER 2012/12/1 | QUALITY SYMBOLS ▽=0 ▽=0 ▽=0 | GENERAL TOLERANCES (UNLESS SPECIFIED) | | DIMENSION STYLE | | SCALE | DESIGN UNITS | THIRD ANGLE PROJECTION | | | |
| | | | mm | INCH | MM ONLY | | 4:1 | METRIC | | | |
| | | 4 PLACES | ± | --- | --- | DRAWN BY | DATE | TITLE | | | |
| | | 3 PLACES | ± | --- | --- | JLAURX | 2/21/05 | I-TRAC BACKPLANE HEADER GUIDE RIGHT ASSEMBLY SALES DRAWING | | | |
| 2 PLACES | ± | 0.13 | --- | CHECKED BY | DATE | molex DOCUMENT NO. SD-75705-004 SHEET NO. 1 OF 4 | | | | | |
| 1 PLACE | ± | 0.25 | --- | BPISZCZOR | 6/02/06 | | | | | | |
| 0 PLACE | ± | --- | --- | APPROVED BY | DATE | | | | | | |
| | | | | CBIXLER | 6/02/06 | | | | | | |
| DRAFT WHERE APPLICABLE MUST REMAIN WITHIN DIMENSIONS | | ANGULAR ±1/2° | | MATERIAL NO. | | DOCUMENT NO. | | | | | |
| | | | | SEE TABLE | | | | | | | |
| THIS DRAWING CONTAINS INFORMATION THAT IS PROPRIETARY TO MOLEX INCORPORATED AND SHOULD NOT BE USED WITHOUT WRITTEN PERMISSION | | | | | | | | | | | |

75705-****

MODULE TYPE -- TAIL PLATING TYPE
 GUIDE RIGHT -- TIN ONLY = 4 (PREVIOUSLY TIN/LEAD)
 GUIDE RIGHT -- TIN ONLY = 5
 GUIDE RIGHT W/END -- TIN ONLY = 8 (PREVIOUSLY TIN/LEAD)
 GUIDE RIGHT W/END -- TIN ONLY = 9

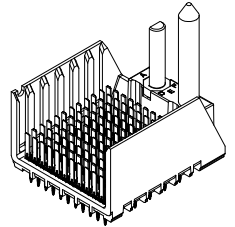
OF COLUMNS
 5 = 5 COL
 6 = 6 COL
 8 = 8 COL
 1 = 10 COL

PIN LENGTH (P)
 2 = 3.90 - 30 GOLD
 3 = 4.70 - 30 GOLD
 4 = 5.70 - 30 GOLD
 5 = 4.70 & 5.70 - 30 GOLD STAGGERED
 6 = 3.90 - 10 GOLD
 7 = 4.70 - 10 GOLD
 8 = 5.70 - 10 GOLD
 9 = 4.70 & 5.70 - 10 GOLD STAGGERED

KEY ORIENTATION
 0 = NO KEY
 1 = A
 2 = B
 3 = C
 4 = D
 5 = E
 6 = F
 7 = G
 8 = H

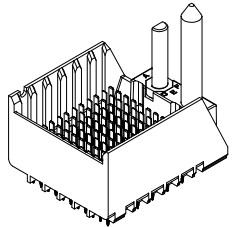
| MATERIAL NUMBER | # OF COLUMNS | DIM "A" | DIM "B" |
|-----------------|--------------|---------|---------|
| 75705-x5** | 5 | 24.8 | 14.80 |
| 75705-x6** | 6 | 28.5 | 18.50 |
| 75705-x8** | 8 | 35.9 | 25.90 |
| 75705-x1** | 10 | 43.3 | 33.30 |

GUIDE RIGHT STYLE



| MATERIAL NUMBER | # OF COLUMNS | DIM "A" | DIM "B" |
|-----------------|--------------|---------|---------|
| 75705-x5** | 5 | 26.1 | 14.80 |
| 75705-x6** | 6 | 29.8 | 18.50 |
| 75705-x8** | 8 | 37.2 | 25.90 |
| 75705-x1** | 10 | 44.6 | 33.30 |

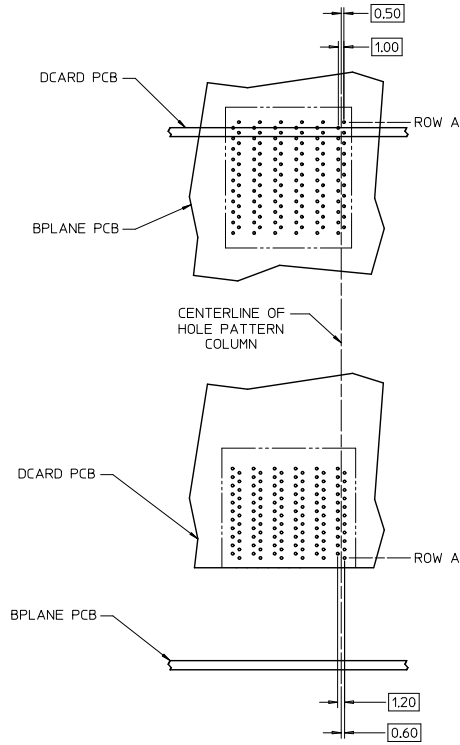
GUIDE RIGHT W/END STYLE



NOTES:

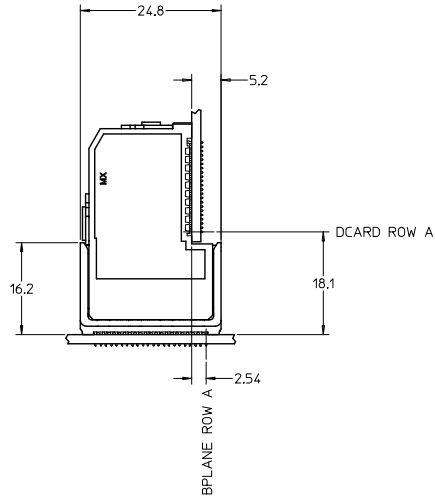
- MATERIALS: HOUSING - LIQUID CRYSTAL POLYMER (LCP)
GLASS-FILLED, UL94V-0
TERMINALS - HIGH PERFORMANCE COPPER ALLOY
- FINISH: 10 MICROINCH MINIMUM GOLD OR 30 MICROINCH MINIMUM GOLD IN CONTACT AREA, SELECTIVE MATTE TIN ON PCB TAILS, NICKEL OVERALL.
- REFER TO MOLEX PRODUCT SPECIFICATION PS-75710-999 FOR PERFORMANCE SPECIFICATIONS.
- FOR MIXED CONTACT MATING LENGTHS, CONSULT MOLEX FOR AVAILABILITY.
- THIS PART CONFORMS TO CLASS B REQUIREMENTS OF MOLEX COSMETIC SPEC PS-45499-002.
- PACKAGE PER: PK-70873-587.
- GUIDED PARTS TO BE SHIPPED WITH 2-56 UNC B SCREW P/N 73774-1000.
- FOR GROUNDED GUIDE PINS USE DIA 3.56+/-0.08 (PTH) DIA 3.66 (DRILL), AND DIA 6.5 (PAD).
- REFER TO PCB ROUTING GUIDE FOR ANTI PAD AND ROUTING RECOMMENDATIONS.

| | | | | | | |
|--|--------------------------------------|---------------------------------------|-----------------|-----------|--------------|------------------------|
| SEE SHEET 1 EC NO: UCP2015-1898 DRAWN BY: JLAURX CHECKED BY: BPISZCZOR APPROVED BY: CBIXLER DATE: 2/21/05 DATE: 6/02/06 DATE: 6/02/06 | QUALITY SYMBOLS ∇=0 ∇=0 ∇=0 | GENERAL TOLERANCES (UNLESS SPECIFIED) | DIMENSION STYLE | SCALE | DESIGN UNITS | THIRD ANGLE PROJECTION |
| | | mm | MM ONLY | 4:1 | METRIC | |
| | | INCH | | | | |
| | | 4 PLACES ± --- ± --- | DRAWN BY DATE | TITLE | | |
| 3 PLACES ± --- ± --- | JLAURX 2/21/05 | I-TRAC BACKPLANE HEADER | | | | |
| 2 PLACES ± 0.13 ± --- | CHECKED BY DATE | GUIDE RIGHT ASSEMBLY | | | | |
| 1 PLACE ± 0.25 ± --- | BPISZCZOR 6/02/06 | SALES DRAWING | | | | |
| 0 PLACE ± ± | APPROVED BY DATE | | | | | |
| ANGULAR ± 1/2° | CBIXLER 6/02/06 | MATERIAL NO. | DOCUMENT NO. | SHEET NO. | | |
| DRAFT WHERE APPLICABLE MUST REMAIN WITHIN DIMENSIONS | SEE TABLE | | SD-75705-004 | 2 OF 4 | | |
| THIS DRAWING CONTAINS INFORMATION THAT IS PROPRIETARY TO MOLEX INCORPORATED AND SHOULD NOT BE USED WITHOUT WRITTEN PERMISSION | | | | | | |

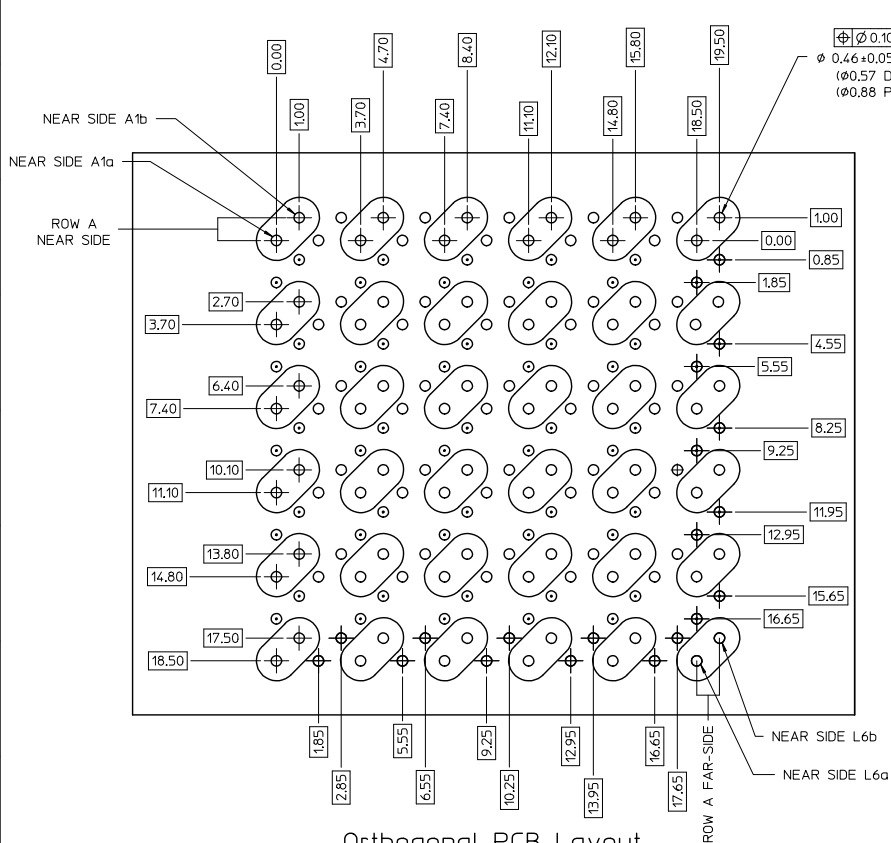


**I-TRAC 11 ROW
BOARD RELATIONSHIPS**

SCALE 2:1



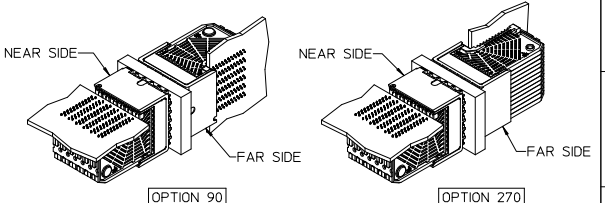
| | | | | | | | | |
|--|--------------------------------------|--|--|------------------------------|---------------------|--|------------------------|------------------------|
| SEE SHEET 1 EC NO: UCP2013-1898 DRAWN BY: 2012/11/12 CHKD BY: 2012/11/12 APPR: MILLER 2012/11/12 | QUALITY SYMBOLS ∇=0 ∇=0 ∇=0 | GENERAL TOLERANCES (UNLESS SPECIFIED) | | DIMENSION STYLE MM ONLY | | SCALE 4:1 | DESIGN UNITS METRIC | THIRD ANGLE PROJECTION |
| | | 4 PLACES ± --- ± --- 3 PLACES ± --- ± --- 2 PLACES ± 0.13 ± --- 1 PLACE ± 0.25 ± --- 0 PLACE ± ± | mm INCH --- --- --- --- --- --- --- --- --- --- | DRAWN BY JLAURX | DATE 2/21/05 | TITLE I-TRAC BACKPLANE HEADER GUIDE RIGHT ASSEMBLY SALES DRAWING | | molex |
| ANGULAR ±1/2° DRAFT WHERE APPLICABLE MUST REMAIN WITHIN DIMENSIONS | MATERIAL NO. SEE TABLE | DATE 6/02/06 | DATE 6/02/06 | DOCUMENT NO. SD-75705-004 | SHEET NO. 3 OF 4 | THIS DRAWING CONTAINS INFORMATION THAT IS PROPRIETARY TO MOLEX INCORPORATED AND SHOULD NOT BE USED WITHOUT WRITTEN PERMISSION | | |



Orthogonal PCB Layout

| ORTHO PIN MAPPING | | | | | |
|----------------------------------|---------|---------|---------|---------|---------|
| OPTION 90 (NEAR SIDE - FAR SIDE) | | | | | |
| A1b-L6b | A2b-J6b | A3b-G6b | A4b-E6b | A5b-C6b | A6b-A6b |
| A1a-L6a | A2a-J6a | A3a-G6a | A4a-E6a | A5a-C6a | A6a-A6a |
| C1b-L5b | C2b-J5b | C3b-G5b | C4b-E5b | C5b-C5b | C6b-A5b |
| C1a-L5a | C2a-J5a | C3a-G5a | C4a-E5a | C5a-C5a | C6a-A5a |
| E1b-L4b | E2b-J4b | E3b-G4b | E4b-E4b | E5b-C4b | E6a-A4b |
| E1a-L4a | E2a-J4a | E3a-G4a | E4a-E4a | E5a-C4a | E6a-A4a |
| G1b-L3b | G2b-J3b | G3b-G3b | G4b-E3b | G5b-C3b | G6a-A3b |
| G1a-L3a | G2a-J3a | G3a-G3a | G4a-E3a | G5a-C3a | G6a-A3a |
| J1b-L2b | J2b-J2b | J3b-G2b | J4b-E2b | J5b-C2b | J6b-A2b |
| J1a-L2a | J2a-J2a | J3a-G2a | J4a-E2a | J5a-C2a | J6a-A2a |
| L1b-L1b | L2b-J1b | L3b-G1b | L4b-E1b | L5b-C1b | L6b-A1b |
| L1a-L1a | L2a-J1a | L3a-G1a | L4a-E1a | L5a-C1a | L6a-A1a |

| ORTHO PIN MAPPING | | | | | |
|-----------------------------------|---------|---------|---------|---------|---------|
| OPTION 270 (NEAR SIDE - FAR SIDE) | | | | | |
| A1b-A1a | A2b-C1a | A3b-E1a | A4b-G1a | A5b-J1a | A6b-L1a |
| A1a-A1b | A2a-C1b | A3a-E1b | A4a-G1b | A5a-J1b | A6a-L1b |
| C1b-A2a | C2b-C2a | C3b-E2a | C4b-G2a | C5b-J2a | C6b-L2a |
| C1a-A2b | C2a-C2b | C3a-E2b | C4a-G2b | C5a-J2b | C6a-L2b |
| E1b-A3a | E2b-C3a | E3b-E3a | E4b-G3a | E5b-J3a | E6b-L3a |
| E1a-A3b | E2a-C3b | E3a-E3b | E4a-G3b | E5a-J3b | E6a-L3b |
| G1b-A4a | G2b-C4a | G3b-E4a | G4b-G4a | G5b-J4a | G6b-L4a |
| G1a-A4b | G2a-C4b | G3a-E4b | G4a-G4b | G5a-J4b | G6a-L4b |
| J1b-A5a | J2b-C5a | J3b-E5a | J4b-G5a | J5b-J5a | J6b-L5a |
| J1a-A5b | J2a-C5b | J3a-E5b | J4a-G5b | J5a-J5b | J6a-L5b |
| L1b-A6a | L2b-C6a | L3b-E6a | L4b-G6a | L5b-J6a | L6b-L6a |
| L1a-A6b | L2a-C6b | L3a-E6b | L4a-G6b | L5a-J6b | L6a-L6b |



- NOTES:
- SIGNAL PAIRS (SHARED VIAS)
 - NEAR SIDE GROUNDS
 - FAR SIDE GROUNDS

| | | | | | | | | | | |
|---|--------------------------------------|---------------------------------------|-----|-----------------|---------|----------------------|--------------|-------------------------|--|--|
| SEE SHEET 1 EC NO: UCP2015-1898 DRAWN BY: 2012/11/12 CHKD BY: 2012/11/12 APPR: SMILLER 2012/11/12 | QUALITY SYMBOLS ▽=0 ▽=0 ▽=0 | GENERAL TOLERANCES (UNLESS SPECIFIED) | | DIMENSION STYLE | | SCALE | DESIGN UNITS | THIRD ANGLE PROJECTION | | |
| | | | | MM ONLY | | 4:1 | METRIC | | | |
| | | 4 PLACES | ± | --- | --- | DRAWN BY | DATE | TITLE | | |
| | | 3 PLACES | ± | --- | --- | JLAURX | 2/21/05 | I-TRAC BACKPLANE HEADER | | |
| 2 PLACES | ± | 0.13 | --- | BP1SZCZOR | 6/02/06 | GUIDE RIGHT ASSEMBLY | | | | |
| 1 PLACE | ± | 0.25 | --- | APPROVED BY | DATE | SALES DRAWING | | | | |
| 0 PLACE | ± | --- | --- | CBIXLER | 6/02/06 | molex | | | | |
| ANGULAR ±1/2° | | MATERIAL NO. | | DOCUMENT NO. | | SHEET NO. | | 4 OF 4 | | |
| DRAFT WHERE APPLICABLE MUST REMAIN WITHIN DIMENSIONS | | SEE TABLE | | SD-75705-004 | | | | | | |
| THIS DRAWING CONTAINS INFORMATION THAT IS PROPRIETARY TO MOLEX INCORPORATED AND SHOULD NOT BE USED WITHOUT WRITTEN PERMISSION | | | | | | | | | | |