

Excellent Integrated System Limited

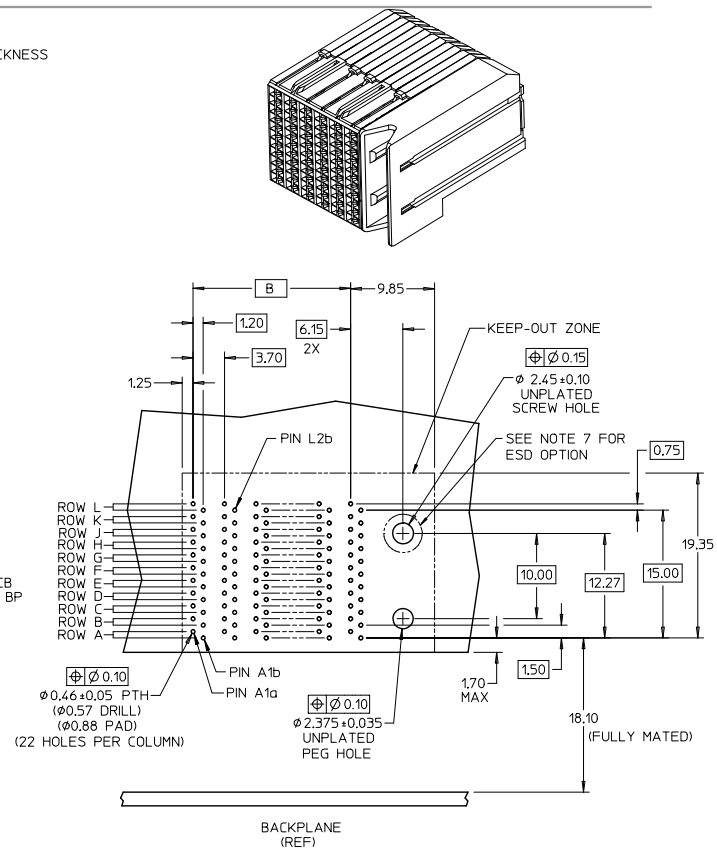
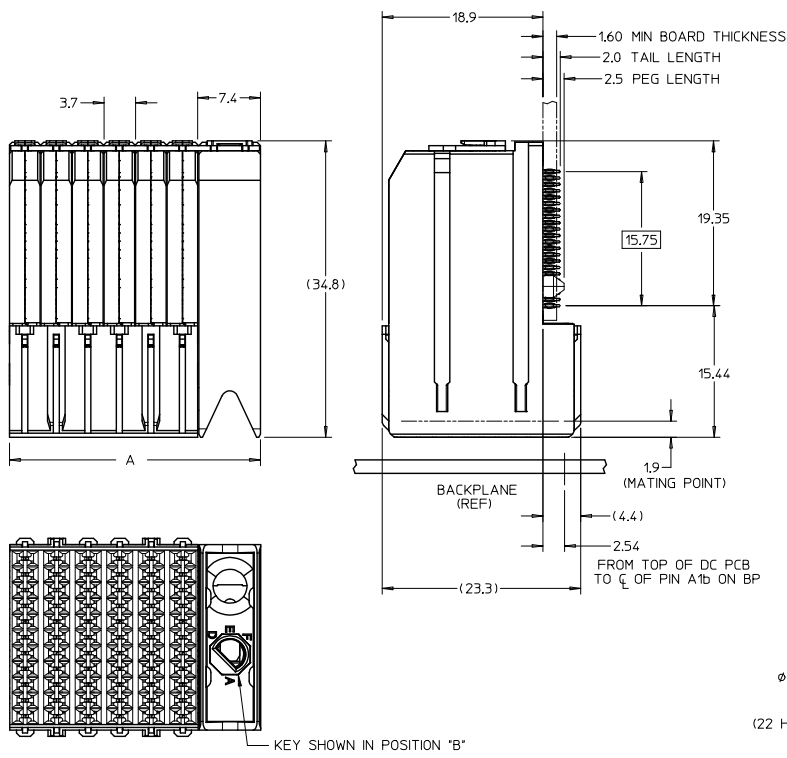
Stocking Distributor

Click to view price, real time Inventory, Delivery & Lifecycle Information:

[Molex Connector Corporation](#)
[75710-5005](#)

For any questions, you can email us directly:

sales@integrated-circuit.com



DAUGHTERCARD HOLE PATTERN (CONNECTOR SIDE)

- NOTES:
1. MATERIALS: HOUSING - LIQUID CRYSTAL POLYMER (LCP) GLASS-FILLED, UL94V-0
TERMINALS - HIGH PERFORMANCE COPPER ALLOY
 2. FINISH: SELECTIVE GOLD IN CONTACT AREA,
SELECTIVE MATTE TIN ON PCB TAILS, NICKEL OVERALL.
 3. REFER TO MOLEX PRODUCT SPECIFICATION PS-75710-999 FOR PERFORMANCE SPECS.
 4. PRODUCT IS PACKAGED PER PK-70873-609.
 5. THIS PART CONFORMS TO CLASS B REQUIREMENTS OF COSMETIC SPEC PS-45499-002.
 6. GUIDED PARTS TO BE SHIPPED WITH 2-32 TYPE AB
SELF-TAPPING SCREW P/N 73726-0000.
 7. FOR GROUNDED GUIDE MODULES USE DIA 2.45±0.10 (PTH), DIA 2.58 (DRILL),
AND DIA 4.50 (PAD).
 8. MAPS (MOLEX ADVANCED PLATING SYSTEM)

LEAD FREE CONVERSION EC NO: UCPE2015-412 DRAWN BY: JLAURX CHKD BY: NMARTIN APPROVED BY: CBIXLER DATE: 2013/04/01 DATE: 2013/07/15	QUALITY SYMBOLS ▽=0 ▽=0 ▽=0	GENERAL TOLERANCES (UNLESS SPECIFIED)		DIMENSION STYLE MM ONLY		SCALE 3:1	DESIGN UNITS METRIC	THIRD ANGLE PROJECTION
		mm	INCH	DRAWN BY JLAURX	DATE 2/17/05	TITLE I-TRAC DAUGHTERCARD 11 ROW SIGNAL MODULE GUIDE RIGHT SALES DWG		
		4 PLACES ±	---			APPROVED BY CBIXLER		DATE 2/17/05
		3 PLACES ±	---			MATERIAL NO.		DOCUMENT NO. SD-75710-004
		2 PLACES ±	0.13			ANGULAR ±1/2°		SHEET NO. 1 OF 2
		1 PLACE ±	0.25			DRAFT WHERE APPLICABLE MUST REMAIN WITHIN DIMENSIONS		SIZE C
		0 PLACE ±				THIS DRAWING CONTAINS INFORMATION THAT IS PROPRIETARY TO MOLEX INCORPORATED AND SHOULD NOT BE USED WITHOUT WRITTEN PERMISSION		

75710-***

MODULE TYPE -- TAIL PLATING TYPE
 GUIDE RIGHT -- MATTE TIN (FORMERLY TIN/LEAD) = 4
 GUIDE RIGHT -- MATTE TIN = 5

POLARIZATION KEY ORIENTATION

0 = NO KEY
 1 = A 5 = E
 2 = B 6 = F
 3 = C 7 = G
 4 = D 8 = H

OF COLUMNS/PLATING
 05 = 5 COL 30 GOLD
 06 = 6 COL 30 GOLD
 08 = 8 COL 30 GOLD
 10 = 10 COL 30 GOLD
 55 = 5 COL W/ESD 30 GOLD
 56 = 6 COL W/ESD 30 GOLD
 58 = 8 COL W/ESD 30 GOLD
 50 = 10 COL W/ESD 30 GOLD
 25 = 5 COL 10 GOLD (MAPS)
 26 = 6 COL 10 GOLD (MAPS)
 28 = 8 COL 10 GOLD (MAPS)
 20 = 10 COL 10 GOLD (MAPS)
 65 = 5 COL W/ESD 10 GOLD (MAPS)
 66 = 6 COL W/ESD 10 GOLD (MAPS)
 68 = 8 COL W/ESD 10 GOLD (MAPS)
 60 = 10 COL W/ESD 10 GOLD (MAPS)

MATERIAL NUMBER	# OF COLUMNS	DIM "A" MAX	DIM "B"
75710-***5	5	25.90	14.80
75710-***6	6	29.60	18.50
75710-***8	8	37.00	25.90
75710-***0	10	44.40	33.30

SEE SHEET 1 EC NO: UCP2013-4121 DRAWN BY: JLAURX CHKD BY: NMARTIN APPR: CBIXLER	DESCRIPTION 2013/04/01 2013/07/15	QUALITY SYMBOLS	GENERAL TOLERANCES (UNLESS SPECIFIED)	DIMENSION STYLE	SCALE	DESIGN UNITS	THIRD ANGLE PROJECTION	
			mm INCH	MM ONLY	1:1	METRIC		
		▽=0	4 PLACES ± --- ± ---	DRAWN BY DATE	TITLE I-TRAC DAUGHTERCARD 11 ROW SIGNAL MODULE GUIDE RIGHT SALES DWG 			
		▽=0	3 PLACES ± --- ± ---	CHECKED BY DATE				
▽=0	2 PLACES ± 0.13 ± ---	APPROVED BY DATE						
▽=0	1 PLACE ± 0.25 ± ---	DATE						
		ANGULAR ±1/2°	DRAFT WHERE APPLICABLE MUST REMAIN WITHIN DIMENSIONS	SEE CHART	MATERIAL NO.	DOCUMENT NO.	SHEET NO.	
							2 OF 2	

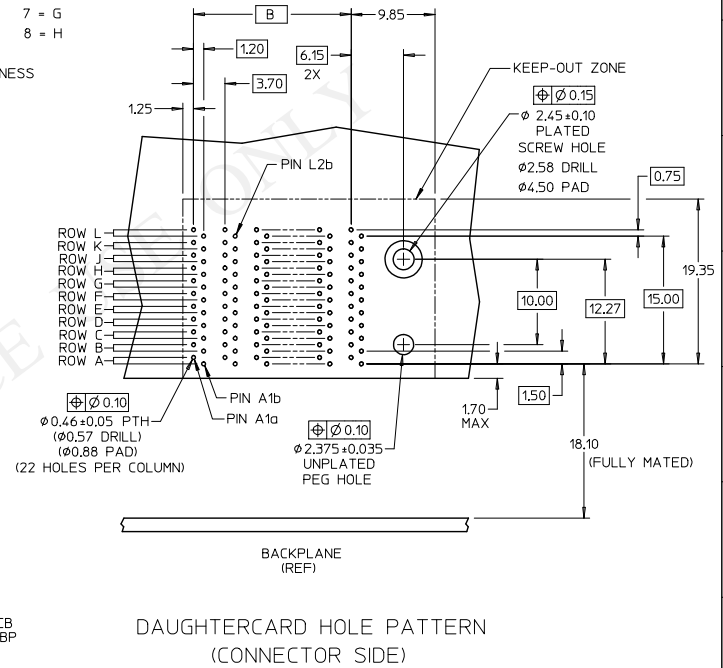
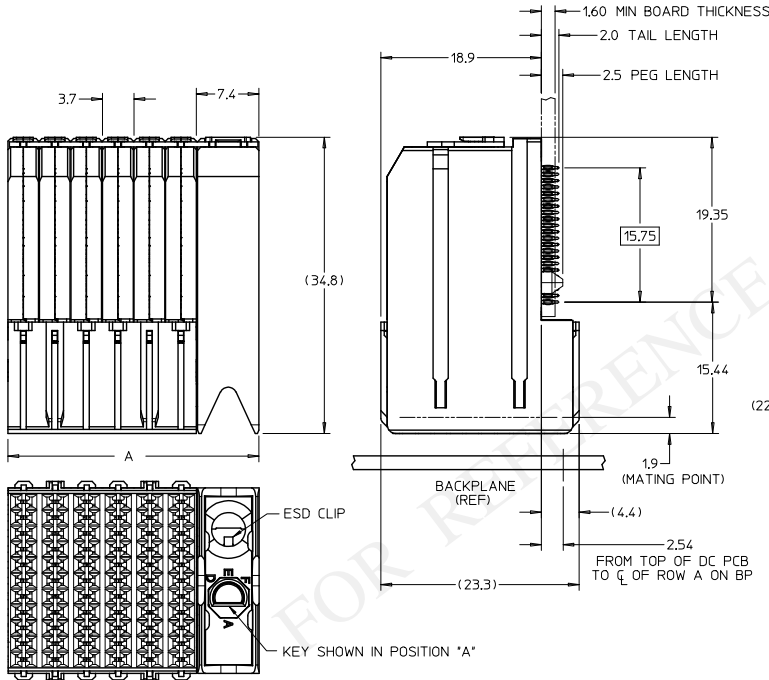
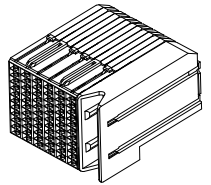
MATERIAL NUMBER	# OF COLUMNS	DIM 'A' MAX	DIM 'B'
75710-***55	5	25.90	14.80
75710-***56	6	29.60	18.50
75710-***58	8	37.00	25.90
75710-***50	10	44.40	33.30

75710-***

MODULE TYPE -- TAIL PLATING TYPE
 GUIDE RIGHT -- TIN/LEAD = 4
 GUIDE RIGHT -- TIN ONLY = 5

POLARIZATION KEY ORIENTATION
 0 = NO KEY
 1 = A 5 = E
 2 = B 6 = F
 3 = C 7 = G
 4 = D 8 = H

OF COLUMNS
 55 = 5 COL W/ESD
 56 = 6 COL W/ESD
 58 = 8 COL W/ESD
 50 = 10 COL W/ESD



NOTES:

1. MATERIALS: HOUSING - LIQUID CRYSTAL POLYMER (LCP) GLASS-FILLED, UL94V-0
 TERMINALS - HIGH PERFORMANCE COPPER ALLOY
2. FINISH: SELECTIVE 30µIN MIN GOLD IN CONTACT AREA. SELECTIVE TIN/LEAD (-4***)
 OR SELECTIVE TIN (-5****) ON PCB TAILS. NICKEL OVERALL.
3. REFER TO MOLEX PRODUCT SPECIFICATION PS-75710-999 FOR PERFORMANCE SPECS.
4. PRODUCT IS PACKAGED PER PK-70873-609.
5. THIS PART CONFORMS TO CLASS B REQUIREMENTS OF COSMETIC SPEC PS-45499-002.

RELEASE TOOLING IEC NO: UCP2015-4261 DRAWN: GARRANZA 2006/11/30 CHKD: LAURX APPR: BINGHAM 2015/04/17	QUALITY SYMBOLS ▽=0 ▽=0	GENERAL TOLERANCES (UNLESS SPECIFIED)		DIMENSION STYLE MM ONLY		SCALE 3:1	DESIGN UNITS METRIC	THIRD ANGLE PROJECTION			
		4 PLACES ± --- ± ---	3 PLACES ± --- ± ---	2 PLACES ± 0.13 ± ---	1 PLACE ± 0.25 ± ---	ANGULAR ± 1/2°	DRAWN BY JLAURX	DATE 2/17/05	CHECKED BY NMARTIN	DATE 2/17/05	TITLE I-TRAC DAUGHTERCARD 11 ROW SIGNAL MODULE GUIDE RIGHT W/ ESD CLIP
		DRAFT WHERE APPLICABLE MUST REMAIN WITHIN DIMENSIONS		MATERIAL NO. SEE CHART	DOCUMENT NO. SD-75710-054	SHEET NO. 1 OF 1	MOLEX INCORPORATED				
		THIS DRAWING CONTAINS INFORMATION THAT IS PROPRIETARY TO MOLEX INCORPORATED AND SHOULD NOT BE USED WITHOUT WRITTEN PERMISSION									