

Excellent Integrated System Limited

Stocking Distributor

Click to view price, real time Inventory, Delivery & Lifecycle Information:

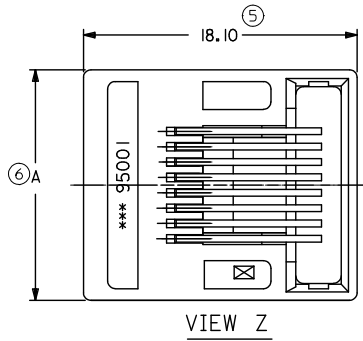
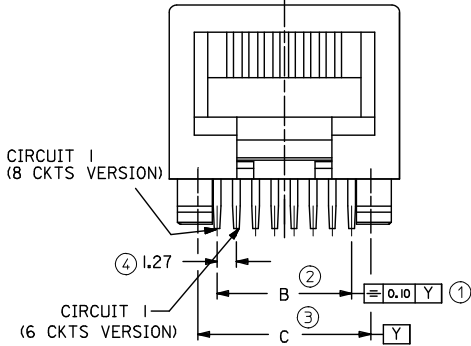
[Molex Connector Corporation](#)
[0955012882](#)

For any questions, you can email us directly:

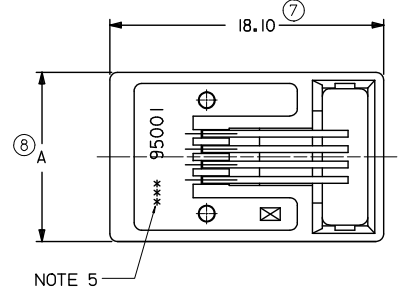
sales@integrated-circuit.com

6 & 8 VERSIONS

8 VERSION SHOWN



4 VERSION ONLY

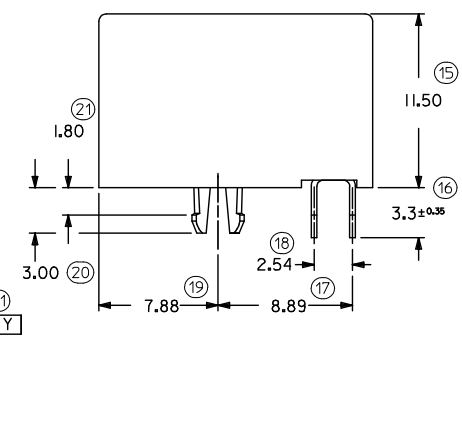
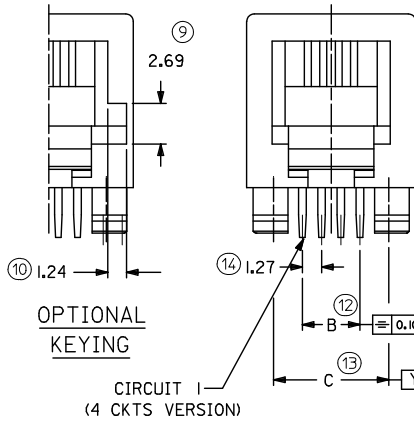


NOTES :

1- MATERIAL:

- HOUSING: LCP GLASS FILLED UL 94V-0, COLOUR BLACK.
- TERMINAL: COPPER ALLOY
- BASE FINISH: NICKEL
- CONTACT SURFACE FINISH: GOLD OR GOLD FLASH OVER PALLADIUM NICKEL.

- EXCEEDS PRODUCT REQUIREMENTS BASED ON PS-95501
- 2- JACK FOR MATING WITH F.C.C. 68 PLUGS 90075 MOLEX SERIES.
- 3- PRODUCT SPECIFICATION PS-95501.
- 4- PACKAGING SPECIFICATION PK-95001; STANDARD PACKAGING SHEET 1. SPECIAL PACKAGING SHEET 2. TUBE PACKAGING SHEET 3.
- 5- MANUFACTURING I.D. CAN BE EITHER MXF, MG OR MXI.
- 6- RECOMMENDED PCB THICKNESS: 1.57mm
- INSPECTION NUMBERS USED: 1 - 50
- LAST INSPECTION NUMBER: 21



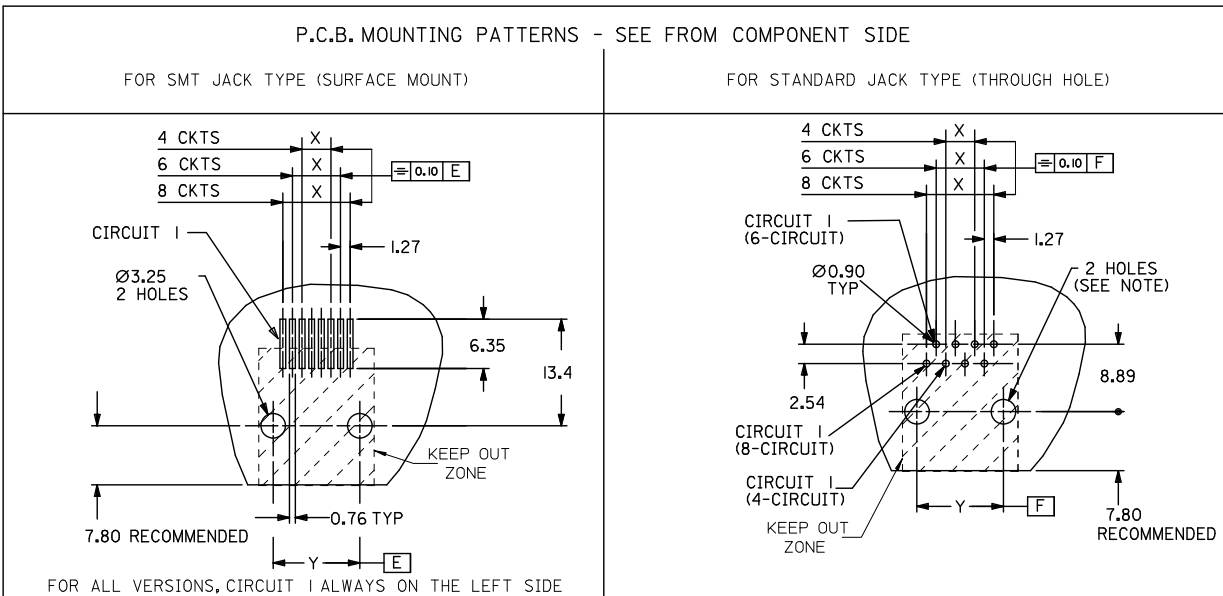
| TYPE | POS. 4 | | POS. 6 | | POS. 8 | |
|------|---------|---------|---------|---------|---------|---------|
| | 4 CKTS. | 4 CKTS. | 6 CKTS. | 6 CKTS. | 8 CKTS. | 8 CKTS. |
| A | 11.18 | 13.21 | 13.21 | 15.24 | | |
| C | 7.62 | 10.16 | 10.16 | 11.43 | | |
| B | 3.81 | 3.81 | 6.35 | 8.89 | | |

| | | | | | | |
|-------------------------------------------------------------------------------------------------------------------------------------------------|-----------------------------------------------------------------------------------------------------|-----------------------------------------------------------------------------------------------------------------------------------------------------------|----------------------------|--------------|------------------------|------------------------|
| MODIFIED NOTES. EC NO: IPG2012-0602 DRAWN BY: DBYRNES 2012/03/30 CHECKED BY: CHYKORSHANHAN 2012/03/30 APPR: EFLAN 2012/06/26 | QUALITY SYMBOLS ▽=0 ▽=0 | GENERAL TOLERANCES (UNLESS SPECIFIED) 4 PLACES ± --- ± --- 3 PLACES ± --- ± --- 2 PLACES ± 0.15 ± --- 1 PLACE ± 0.25 ± --- ANGULAR ± --- ° | DIMENSION STYLE MM ONLY | SCALE 4:1 | DESIGN UNITS METRIC | THIRD ANGLE PROJECTION |
| | DRAWN BY: DBYRNES 2006/08/02 CHECKED BY: EOMAHONY 2006/08/12 APPROVED BY: EOMAHONY 2006/08/12 | TITLE R/A LOW PROFILE PC JACK 4,6,8 CKTS SIZE THROUGH HOLE VERSION | | | | |
| | MATERIAL NO. SEE CHART. SHEETS 4 & 5 | MOLEX INCORPORATED | | | | |
| | DOCUMENT NO. SD-95501-001 | SHEET NO. 1 OF 5 | | | | |

THIS DRAWING CONTAINS INFORMATION THAT IS PROPRIETARY TO MOLEX INCORPORATED AND SHOULD NOT BE USED WITHOUT WRITTEN PERMISSION

10 9 8 7 6 5 4 3 2 1

| TYPE DIM. | POS. 4 | POS. 6 | | POS. 8 |
|--------------|---------|---------|---------|---------|
| | 4 CKTS. | 4 CKTS. | 6 CKTS. | 8 CKTS. |
| Y ±0.05 | 7.62 | 10.16 | 10.16 | 11.43 |
| X ±0.05 | 3.81 | 3.81 | 6.35 | 8.89 |



NOTE:
FOR CONVECTION SOLDERING: DIA 3.25±0.05
FOR WAVE SOLDERING: DIA 3.20±0.10
ALL DIMENSIONS REF DIMENSIONS

| REMOVED INCHES EC NO: E2012-0079 DRAWN: JOCONOR CHKD: CHIKO APPR: EFCU, AN 2011/02/23 2011/09/28 | QUALITY SYMBOLS ▼=0 ▽=0 | GENERAL TOLERANCES (UNLESS SPECIFIED) <table border="1" style="width: 100%; border-collapse: collapse;"> <thead> <tr> <th></th> <th>mm</th> <th>INCH</th> </tr> </thead> <tbody> <tr> <td>4 PLACES</td> <td>±---</td> <td>±---</td> </tr> <tr> <td>3 PLACES</td> <td>±---</td> <td>±---</td> </tr> <tr> <td>2 PLACES</td> <td>±0.15</td> <td>±---</td> </tr> <tr> <td>1 PLACE</td> <td>±0.25</td> <td>±---</td> </tr> <tr> <td>ANGULAR</td> <td>±---</td> <td>°</td> </tr> </tbody> </table> | | mm | INCH | 4 PLACES | ±--- | ±--- | 3 PLACES | ±--- | ±--- | 2 PLACES | ±0.15 | ±--- | 1 PLACE | ±0.25 | ±--- | ANGULAR | ±--- | ° | DIMENSION STYLE MM ONLY DRAWN BY: DBYRNES CHECKED BY: EOMAHONY APPROVED BY: EOMAHONY DATE: 2006/08/02 DATE: 2006/08/12 DATE: 2006/08/12 | SCALE: 2:1 DESIGN UNITS: METRIC THIRD ANGLE PROJECTION | TITLE: R/A LOW PROFILE JACK PC JACK 4,6,8 CKT SIZE SMT AND STANDARD VERSION MOLEX INCORPORATED MATERIAL NO. SEE CHART SHEETS 4 & 5 DOCUMENT NO. SD-95501-001 SHEET NO. 3 OF 5 |
|---------------------------------------------------------------------------------------------------------------------------------------------------------------------------------------------------|-------------------------------|-------------------------------------------------------------------------------------------------------------------------------------------------------------------------------------------------------------------------------------------------------------------------------------------------------------------------------------------------------------------------------------------------------------------------------------------------------------------------------------------------|--|----|------|----------|------|------|----------|------|------|----------|-------|------|---------|-------|------|---------|------|---|--------------------------------------------------------------------------------------------------------------------------------------------------------------|--------------------------------------------------------------|-------------------------------------------------------------------------------------------------------------------------------------------------------------------------------------------------|
| | | | | mm | INCH | | | | | | | | | | | | | | | | | | |
| 4 PLACES | ±--- | ±--- | | | | | | | | | | | | | | | | | | | | | |
| 3 PLACES | ±--- | ±--- | | | | | | | | | | | | | | | | | | | | | |
| 2 PLACES | ±0.15 | ±--- | | | | | | | | | | | | | | | | | | | | | |
| 1 PLACE | ±0.25 | ±--- | | | | | | | | | | | | | | | | | | | | | |
| ANGULAR | ±--- | ° | | | | | | | | | | | | | | | | | | | | | |
| DRAFT WHERE APPLICABLE MUST REMAIN WITHIN DIMENSIONS SIZE: A3 THIS DRAWING CONTAINS INFORMATION THAT IS PROPRIETARY TO MOLEX INCORPORATED AND SHOULD NOT BE USED WITHOUT WRITTEN PERMISSION | | | | | | | | | | | | | | | | | | | | | | | |

9 8 7 6 5 4 3 2 1

10 9 8 7 6 5 4 3 2 1

STANDARD PACKAGING OPEN TRAY ,SEE PACKAGING SPEC PK95001 SHEET 1

PART NO FOR JACK ASSEMBLY

THROUGH HOLE VERSION

LCP GLASS FILED 94V0,COLOR BLACK.

| HOUSING SIZE | LOADED CONTACTS |
|--------------|-----------------|
| 4 | 4 |
| 6 | 4 |
| 6 | 6 |
| 8 | 8 |

| NO KEY | TOOLED | KEY | TOOLED | TOOLED | TOOLED | TOOLED |
|------------|--------|------------|--------|--------|--------|--------|
| NOT RIBBED | | NOT RIBBED | | | | |
| 9550I-244I | X | | | | | |
| 9550I-264I | X | | | | | |
| 9550I-266I | X | | | | | |
| 9550I-288I | X | 9550I-2882 | X | | | |

| | | | | | | |
|-----------------------------------------------------------------------------------------------------------------------------------------|------------------------------------------------------|-------------------------------------------------------------------------------------------------------------------------------------------------------------------|-----------------------------------------------------------------------------------------------------------------------------------------------------|--------------------------------------------------------------|------------------------------------------------------------------------------------------------------------|----------------------------------------------------------------------------|
| REMOVED OPTIONS EC NO: IFG2012-0602 DRAWN BY: DBYRNES 2012/03/30 CHKD BY: SHAMHAN 2012/03/30 APPR: EFOLAN 2012/06/26 | QUALITY SYMBOLS ▽=0 ▽=0 | GENERAL TOLERANCES (UNLESS SPECIFIED) mm INCH 4 PLACES ± --- ± --- 3 PLACES ± --- ± --- 2 PLACES ± --- ± --- 1 PLACE ± --- ± --- ANGULAR ± ---° | DIMENSION STYLE MM ONLY DRAWN BY: DBYRNES DATE: 2006/08/02 CHECKED BY: EOMAHONY DATE: 2006/08/12 APPROVED BY: EOMAHONY DATE: 2006/08/12 | SCALE: --- DESIGN UNITS: METRIC THIRD ANGLE PROJECTION | TITLE: LOW PROFILE R/A JACK STANDARD T/HOLE VERSION STANDARD OPEN TRAY VERS MOLEX INCORPORATED | MATERIAL NO.: SEE CHART DOCUMENT NO.: SD-95501-001 SHEET NO.: 4 OF 5 |
| | DRAFT WHERE APPLICABLE MUST REMAIN WITHIN DIMENSIONS | | THIS DRAWING CONTAINS INFORMATION THAT IS PROPRIETARY TO MOLEX INCORPORATED AND SHOULD NOT BE USED WITHOUT WRITTEN PERMISSION | | | |
| | | | | | | |
| | | | | | | |

9 8 7 6 5 4 3 2 1