



## **Excellent Integrated System Limited**

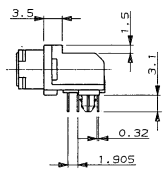
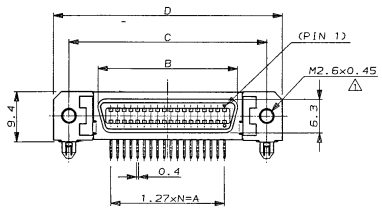
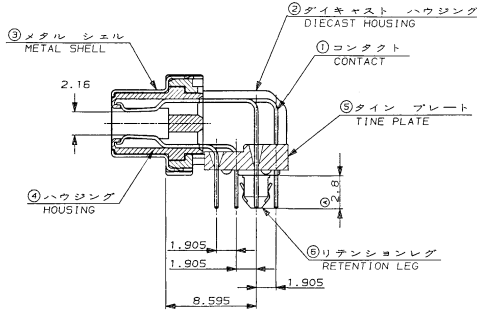
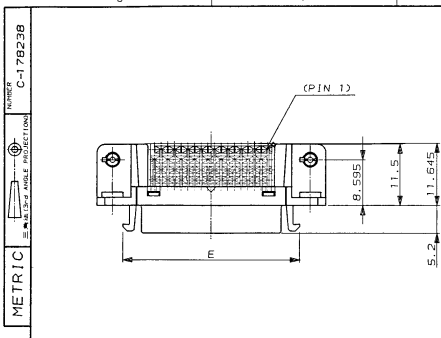
Stocking Distributor

Click to view price, real time Inventory, Delivery & Lifecycle Information:

[TE Connectivity AMP Connectors](#)  
[2-178238-5](#)

For any questions, you can email us directly:

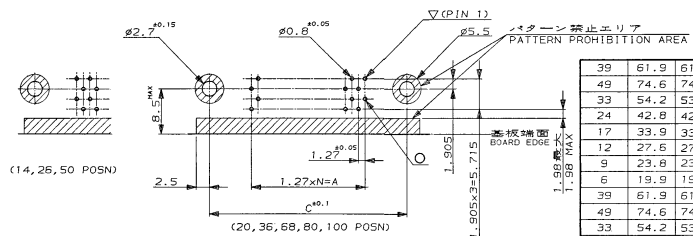
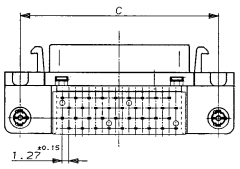
[sales@integrated-circuit.com](mailto:sales@integrated-circuit.com)



ITEM	材 料 (MATERIAL)	仕 上 (FINISH)
①	銅合金 COPPER ALLOY	全面ニッケル下地のつき 接触部: 金めつき (0.3μ, 0.76μ以上) グイン部: 半田めつき NICKEL UNDER PLATE ALL OVER CONTACT AREA; Au (0.3μ, 0.76μ) SOLDER TINE AREA; TIN-LEAD PLATE
②	亜鉛ダイキャスト ZINC	ニッケルめつき NICKEL PLATING
③	鋼 ±0.25 STEEL ±0.25	鋼下地のつき上にニッケルめつき NICKEL PLATE OVER COPPER UNDERPLATE
④	熱可塑性樹脂 (UL:94V-0) THERMO-PLASTIC	色: 黒 COLOR: BLACK
⑤	銅合金 COPPER ALLOY	ニッケル下地のつき上に半田めつき TIN-LEAD PLATE OVER NICKEL UNDERPLATE

- NOTES
1. RECOMMENDED SCREW SIZE, M2.6 PANHEAD SCREW (L=5)
  2. RECOMMENDED P.C BOARD THICKNESS, 1.6mm (REF.)
  3. CONNECTOR TO BE MATED; 175677
  4. INSERTION FORCE OF RETENTION LEG TO P.C.B; 2.2kg MAX/CONNECTOR.
  5. RETENTIVITY OF RETINTION LEG TO P.C.B; 0.5kg MIN/CONNECTOR.

- 注 記
1. 適用ねじ: M2.6ダブねじ (L=5)
  2. 推奨基板厚: 1.6mm (参考)
  3. 対応相手コネクタ: 175677
  4. リテンションレグ挿入力 (対基板): 2.2kg MAX.
  5. リテンションレグ保持力 (対基板): 0.5kg MIN.



推奨基板穴け寸法  
 RECOMMENDED PC BOARD  
 MOUNTING DIMENSION  
 基板タテ取付面  
 COMPONENT SIDE

	39	49	33	24	17	12	9	6	39	49	33	24	17	12	9	6	39	49	33	24	17	12	9	6	39	49	33	24	17	12	9	6	N	
F	61.9	74.6	54.2	42.8	33.9	27.6	23.8	19.9	61.9	74.6	54.2	42.8	33.9	27.6	23.8	19.9	61.9	74.6	54.2	42.8	33.9	27.6	23.8	19.9	61.9	74.6	54.2	42.8	33.9	27.6	23.8	19.9	F	
E	61.55	74.25	53.93	42.50	33.61	27.26	23.45	19.64	61.55	74.25	53.93	42.50	33.61	27.26	23.45	19.64	61.55	74.25	53.93	42.50	33.61	27.26	23.45	19.64	61.55	74.25	53.93	42.50	33.61	27.26	23.45	19.64	E	
D	71.45	84.15	63.83	52.40	43.51	37.16	33.35	29.54	71.45	84.15	63.83	52.40	43.51	37.16	33.35	29.54	71.45	84.15	63.83	52.40	43.51	37.16	33.35	29.54	71.45	84.15	63.83	52.40	43.51	37.16	33.35	29.54	D	
C	65.55	78.25	57.93	46.50	37.61	31.26	27.45	23.64	65.55	78.25	57.93	46.50	37.61	31.26	27.45	23.64	65.55	78.25	57.93	46.50	37.61	31.26	27.45	23.64	65.55	78.25	57.93	46.50	37.61	31.26	27.45	23.64	C	
B	54.53	67.23	46.91	35.48	26.59	20.24	16.43	12.62	54.53	67.23	46.91	35.48	26.59	20.24	16.43	12.62	54.53	67.23	46.91	35.48	26.59	20.24	16.43	12.62	54.53	67.23	46.91	35.48	26.59	20.24	16.43	12.62	B	
A	49.53	62.23	41.91	30.48	21.59	15.24	11.43	7.62	49.53	62.23	41.91	30.48	21.59	15.24	11.43	7.62	49.53	62.23	41.91	30.48	21.59	15.24	11.43	7.62	49.53	62.23	41.91	30.48	21.59	15.24	11.43	7.62	A	
	0.76μm	0.76μm	0.76μm	0.76μm	0.76μm	0.76μm	0.76μm	0.76μm	0.3μm	0.3μm	0.3μm	0.3μm	0.3μm	0.3μm	0.3μm	0.3μm	0.3μm	0.3μm	0.3μm	0.3μm	0.3μm	0.3μm	0.3μm	0.3μm	0.3μm	0.3μm	0.3μm	0.3μm	0.3μm	0.3μm	0.3μm	0.3μm		
	80	100	68	50	36	26	14	14	80	100	68	50	36	26	14	14	80	100	68	50	36	26	14	14	80	100	68	50	36	26	14	14		
	3-178238-0	2-178238-9	2-178238-8	2-178238-7	2-178238-5	2-178238-4	2-178238-2	2-178238-1	1-178238-0	178238-9	178238-8	178238-7	178238-5	178238-4	178238-2	178238-1	178238-0	178238-9	178238-8	178238-7	178238-5	178238-4	178238-2	178238-1	178238-0	178238-9	178238-8	178238-7	178238-5	178238-4	178238-2	178238-1		

PRINTING DIST. 400.00 DIMENSIONS IN MM. DO NOT SCALE DRAWING

推奨パネルカット寸法  
 RECOMMENDED PANEL CUTOUT  
 (厚さ: 2mm 最大)  
 THK: 2mm MAX

Copyright ©1991 AMP (Japan), LTD. ALL RIGHTS RESERVED. AMP logo

RECEPTACLE HDR ASS'Y (3.1mm) STANDARD CHAMP.050 Series (11)

SEE TABLE SEE TABLE

REVISED #100-3645-90 H.K.Y. F.P. 2/82  
 REVISED #200-1315-94 S.T.Y. F.P. 1/82  
 RELEASED (J-1302) H.K.Y. F.P. 1/82

DR. H. KOBAYASHI DE. H. KOBAYASHI  
 CHK. Y. FUJITARA APP. Y. FUJITARA

SIZE LOC. C J C-178238  
 SCALE 2-1 REV. C SHEET 1 OF 1

(CUSTOMER DRAWING) 参考図面