

Excellent Integrated System Limited

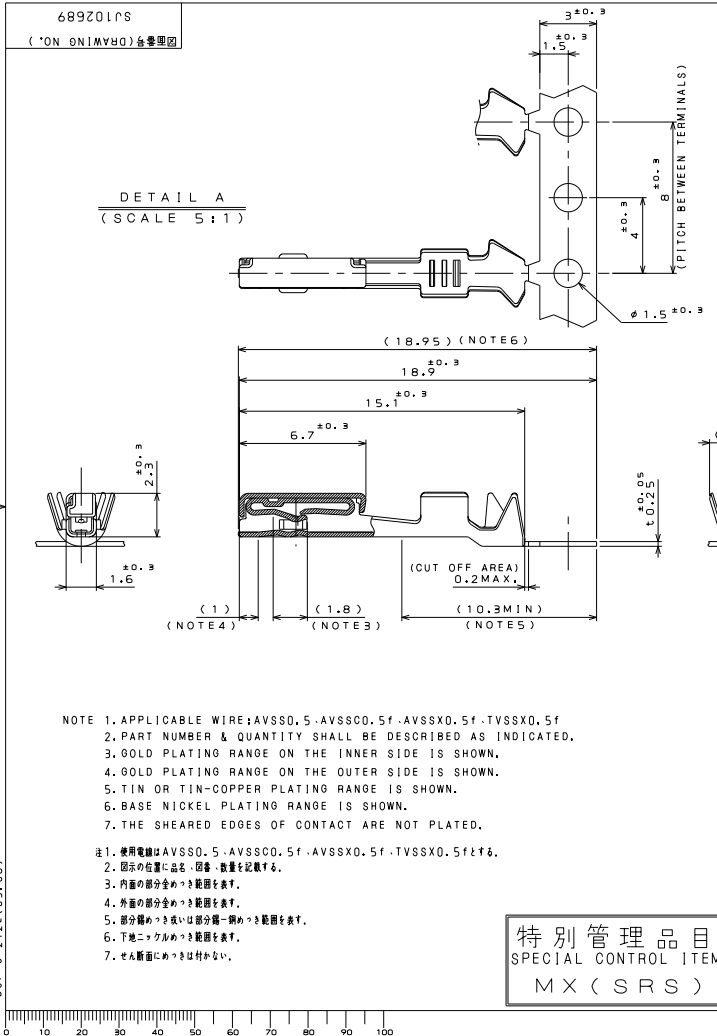
Stocking Distributor

Click to view price, real time Inventory, Delivery & Lifecycle Information:

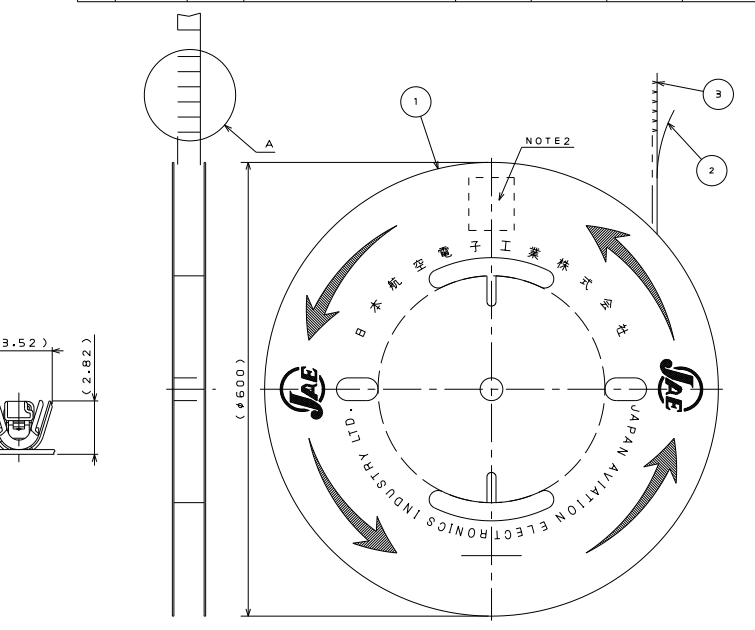
[JAE Electronics](#)
[M36S08K4Q3](#)

For any questions, you can email us directly:

sales@integrated-circuit.com



| 版数 REV. | 年月日 DATE | DCN NO. | 変更内容 DESCRIPTION | 製図 DR. | 担当 CHK. | 発注 APPD. | 承認 APPD. |
|------------|-------------|---------|------------------------------|-----------|------------|-------------|-------------|
| 2 | 16.Feb.2012 | 001770 | CHANGE SPECIFICATION No. etc | | H,KANDA | K,OKUDA | A,00NO |



| 符号 NO. | 名称 DESCRIPTION | 個数 QTY. | 材料 MATERIAL | 仕上 FINISH | 備考 REMARKS |
|------------------------|-------------------|---------------------|--------------------------------|-------------------------------|---|
| 3 | SOCKET CONTACT | 8000 | HIGH CONDUCTIVITY COPPER ALLOY | SELECTIVE GOLD PLATING | |
| 2 | TAPE | 1 | PAPER | | |
| 1 | REEL | 1 | PAPER | | |
| 仕様書 (SPECIFICATION) | JACS-10220 | 第1版 (ORIGINAL DATE) | 4.Feb.2005 | 尺規 (SCALE) | シリーズ (SERIES) |
| △ J AHL-10220 (-+) | 製図 DR. | H.HASHIMOTO | 名称 (TITLE) | M36S08K4Q3 | 日本航空電子工業株式会社 |
| 公差 (GENERAL TOLERANCE) | 検査 CHK. | M.WATANABE | 製造 APPD. | SOCKET CONTACT (GOLD PLATING) | JAPAN AVIATION ELECTRONICS INDUSTRY, LTD. |
| 寸法 (DIMENSION) | 角度 (ANGLES) | 承認 APPD. | A.00NO Y.HIROSE | 質量 (MASS) | 図面番号 (DRAWING NO.) |
| . ± | ×° ± | | | | SJ102689 |
| . × ± | ××° ± | | | | 版数 (REV.) |
| . ×× ± | ×××° ± | | | | 2 |
| . ××× ± | | | | | |

JAE CONNECTOR DIV. PROPRIETARY. COPYRIGHT (C) 2005. JAPAN AVIATION ELECTRONICS INDUSTRY, LTD.

DCF-C-212E(03.08)

WISDOM承認 2012/02/16

SIZE A3