

## Excellent Integrated System Limited

Stocking Distributor

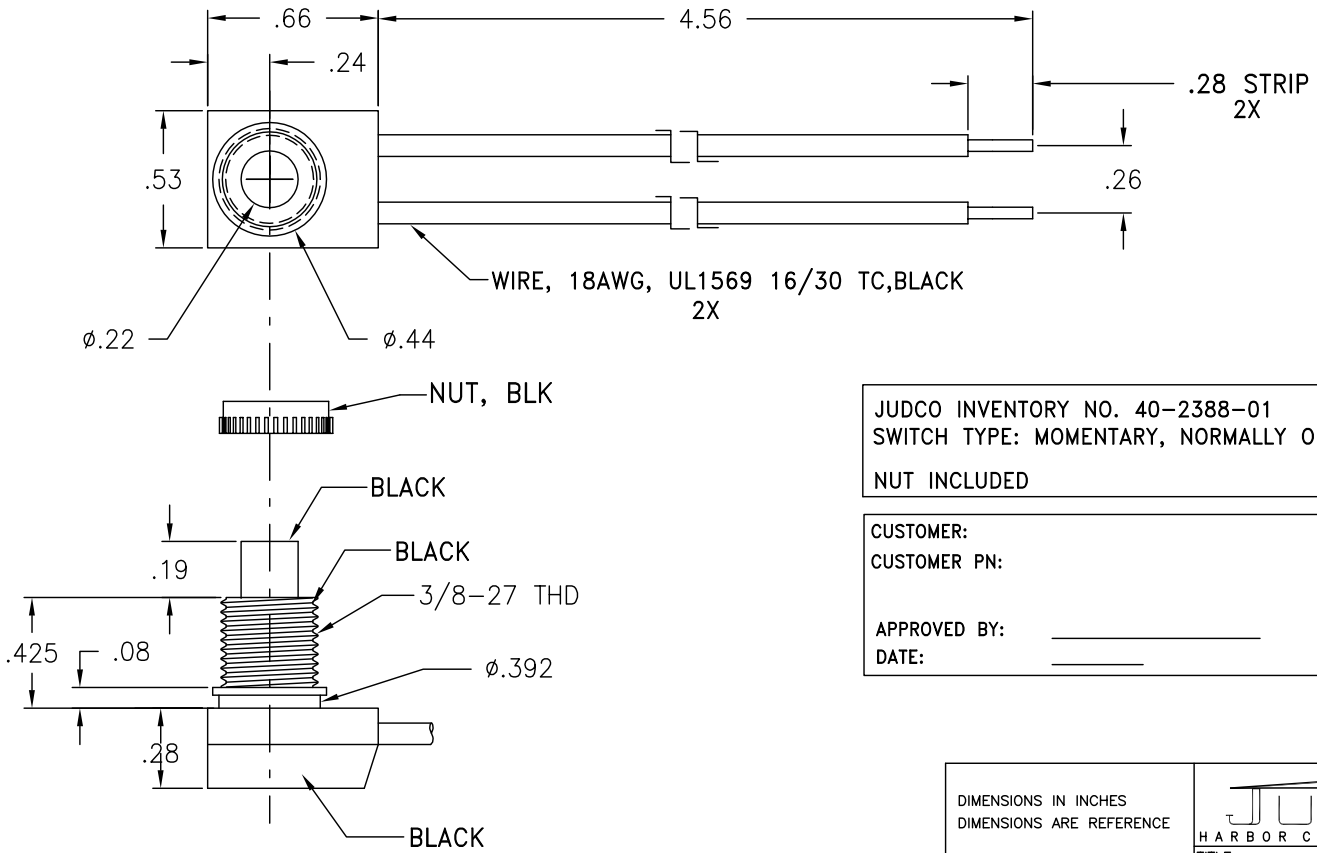
Click to view price, real time Inventory, Delivery & Lifecycle Information:

[Judco Manufacturing, Inc.](#)  
[40-2388-01](#)

For any questions, you can email us directly:


[sales@integrated-circuit.com](mailto:sales@integrated-circuit.com)

LTR	EN	DESCRIPTION	APPR	BY	DATE
A	-	INITIAL RELEASE	RB	DC	08-14-06



JUDCO INVENTORY NO. 40-2388-01  
SWITCH TYPE: MOMENTARY, NORMALLY OPEN  
NUT INCLUDED

CUSTOMER:  
CUSTOMER PN:  
APPROVED BY: \_\_\_\_\_  
DATE: \_\_\_\_\_

DIMENSIONS IN INCHES DIMENSIONS ARE REFERENCE	 HARBOR CITY CALIFORNIA	
	TITLE <b>OUTLINE</b> <b>J-188A-2 NON UL</b>	
DRAWN: DC 08-14-06	DWG. NO. 1415-1012	
APPR: KJ 08-14-06	SHEET 1 OF 1	
1415U1012A.DWG		