

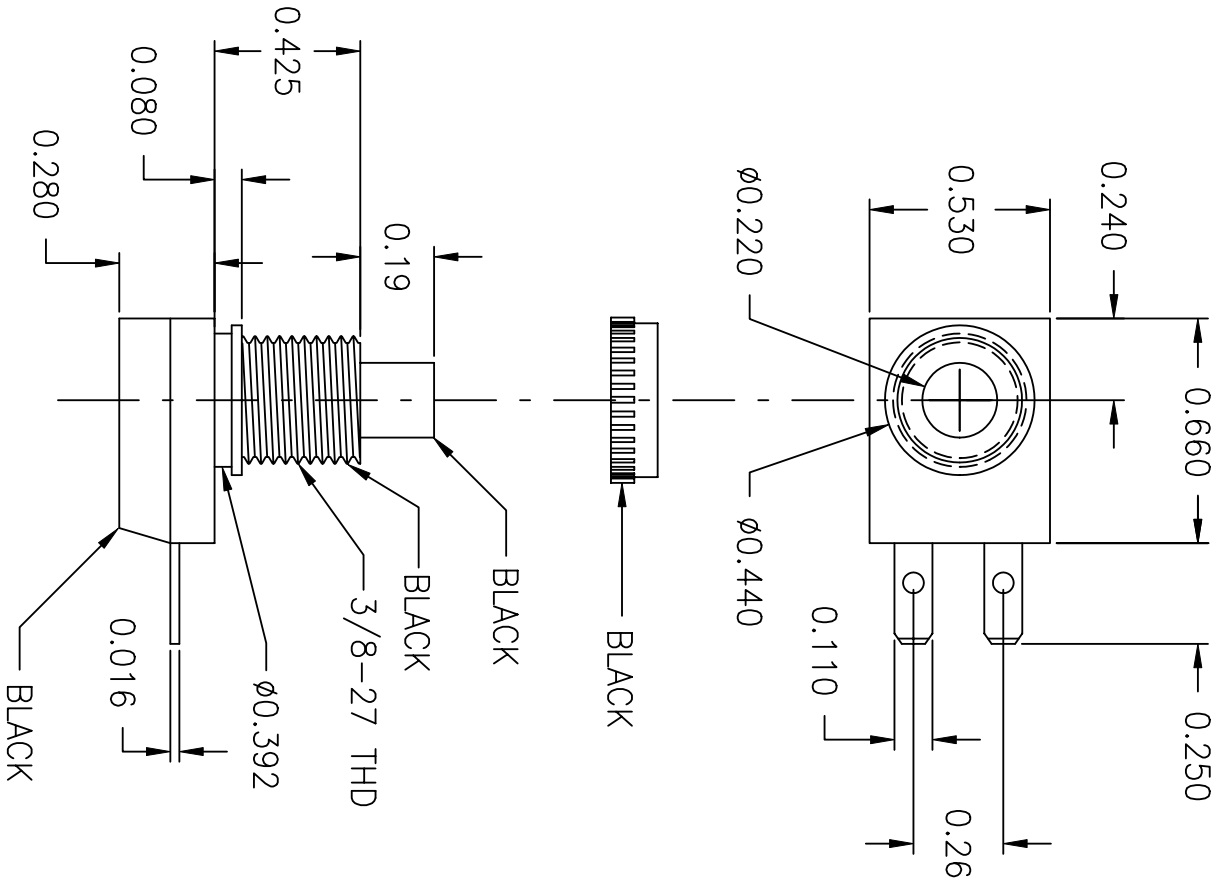
Excellent Integrated System Limited

Stocking Distributor

Click to view price, real time Inventory, Delivery & Lifecycle Information:

[Judco Manufacturing, Inc.](#)
[40-2504-01](#)

For any questions, you can email us directly:
sales@integrated-circuit.com

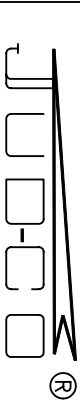


LTR	EN	DESCRIPTION	APPR	BY	DATE
A	-	INITIAL RELEASE	RB	EM	2-10-04

JUDCO INVENTORY NO. 40-2504-01
 SWITCH TYPE: SPST, MOMENTARY NORMALLY CLOSED
 NUTS PACKED SEPARATELY.

CUSTOMER: DIGI KEY
 CUST. PN: 510 PB-ND
 APPROVED BY: _____
 DATE: _____

DIMENSIONS IN INCHES
 DIMENSIONS ARE REFERENCE



TITLE
 HARBOR CITY CALIFORNIA
 OUTLINE
 J-188A-3

DRAWN: EM 02-10-04
 APPR: KJ 02-10-04
 DWG. NO. 1415-568

1415US568A.DWG
 SHEET 1 OF 1

This document embodies a product, component, and/or design proprietary to JUDCO MANUFACTURING INC., and which is protected either as a trade secret, by U.S. Patent, or by copyright. It may not be used in any way without written consent of JUDCO MANUFACTURING INC.