

Excellent Integrated System Limited

Stocking Distributor

Click to view price, real time Inventory, Delivery & Lifecycle Information:

[FCI](#)
[10070163-01LF](#)

For any questions, you can email us directly:

sales@integrated-circuit.com

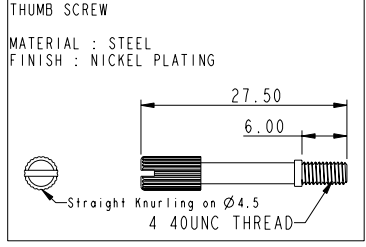
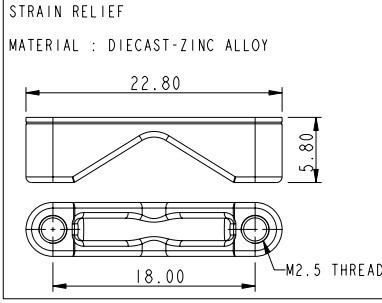
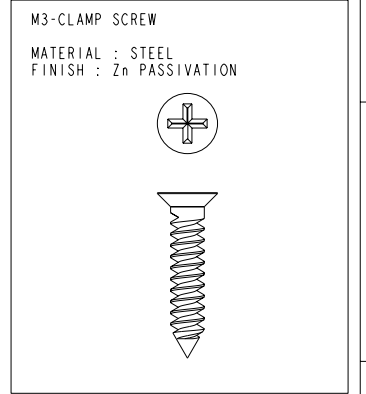
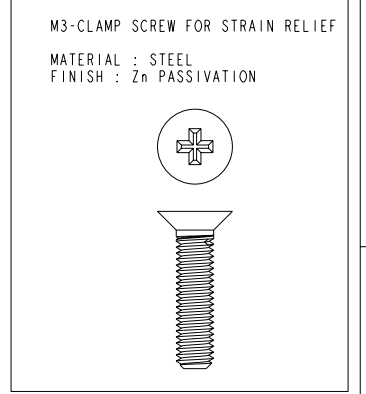
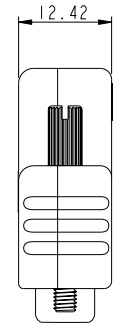
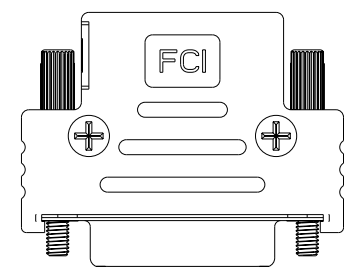
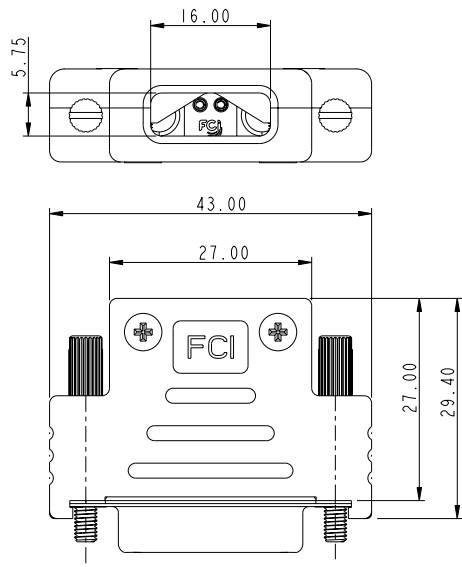
A

B

C

D

MATERIAL: Self Extinguishing UL94VO THERMOPLASTICS
 COLOUR : BLACK
 TEMPERATURE RANGE : -55°C +105°C
 LOCKING SCREWS : 4-40UNC THREAD
 ROHS COMPLIANT
 PART NO : 10070163-01LF



Copyright FCI.

rev	ecm no	dr	date
A	107-0179	NG	2007-12-29
-	-	-	-
-	-	-	-
-	-	-	-
-	-	-	-
-	-	-	-
-	-	-	-

www.fciconnect.com		surface	tolerance std	projection	mm
		ISO 1302	ISO 406 ISO 1101		
		TOLERANCES UNLESS OTHERWISE SPECIFIED			
Dr	NIRMAL G	2007-02-21	ANGULAR	0.X	±0.3
Eng	NIRMAL G	2007-12-28	LINEAR	0.XX	±0.1
Chr	ANISH S	2007-12-28	0° ±1°	0.XXX	±0.05
Appr	BIJU K PAUL	2007-12-29	Product family	D-SUB	Spec ref
		-ST. HOOD & ACCESSORIES		dwg no	10070163
		-MicroTCA_48V CONNECTOR HOOD		Rev.	A
catalog no		SEE NOTES	CUSTOMER	sheet 1 of 1	

REV F - 2006-04-17

1

2

3

4