

Excellent Integrated System Limited

Stocking Distributor

Click to view price, real time Inventory, Delivery & Lifecycle Information:

[TE Connectivity AMP Connectors](#)
[170197-1](#)

For any questions, you can email us directly:

sales@integrated-circuit.com



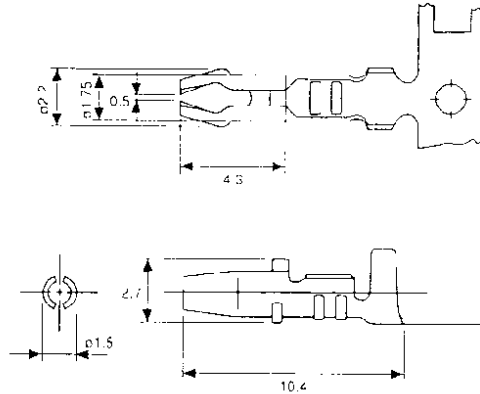
Terminals and Splices

Catalog 91119
 Revised 05-96

Wire to Board Terminals (AMP-IN Terminal)

Material and Finish

Tin-plated
 Brass or phosphor bronze

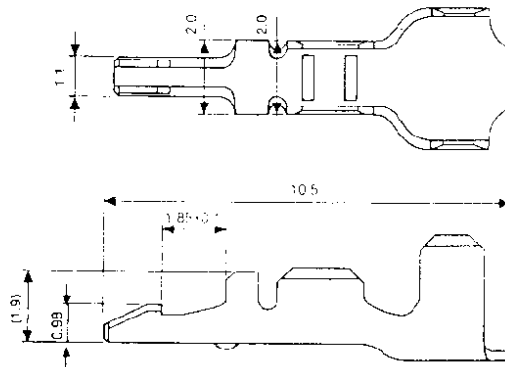


Part Number: 170072-1
Application Spec: 114-5028
Product Specifications:108-5012
Recommended PCB Hole Size: ø1.8-ø1.9mm

Wire Size		Wire Insulation
AWG	mm ²	Diameter
24-20	0.20-0.56	1.52-2.79

Material and Finish

Tin-plated brass



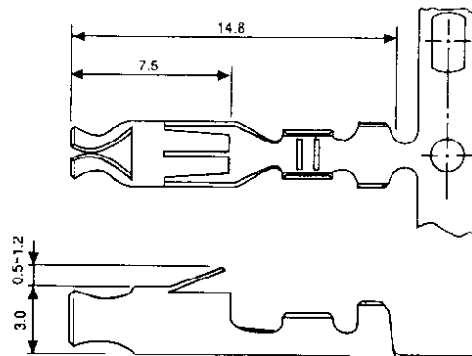
Part Number: 170197-1 (with dimple) and 170197-2 (without dimple)
Application Spec: 114-5014
Product Specifications:108-5012
Recommended PCB Hole Size: ø1.2-ø1.6mm

Wire Size		Wire Insulation
AWG	mm ²	Diameter
24-20	0.20-0.56	1.6-2.3

AMP VASE Terminal

Material and Finish

Tin-plated brass



Part Number: 170219-1 and 170219-2 (Low mating force)
Application Spec: 114-5016
Product Specifications:108-5012
Mates with 1.57 diameter pin

Wire Size		Wire Insulation
AWG	mm ²	Diameter
24-20	0.20-0.53	1.2-2.6