



Distributor of Molex Connector Corporation: Excellent Integrated System Limited
Datasheet of 47504-0001 - Connector Receptacle USB TypeA 4 Position Surface Mount, Right Angle, Horizontal

Contact us: sales@integrated-circuit.com Website: www.integrated-circuit.com

Excellent Integrated System Limited

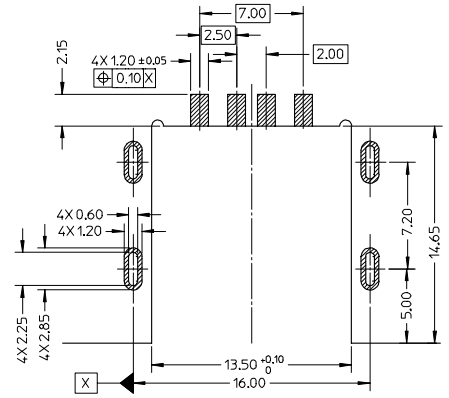
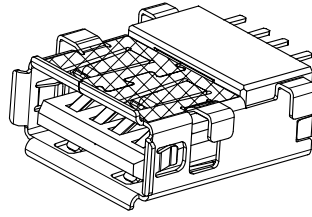
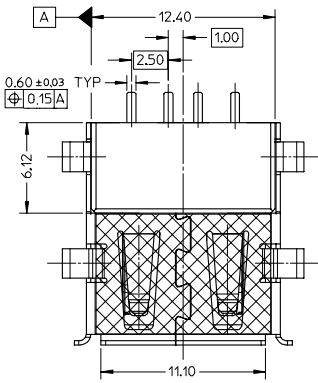
Stocking Distributor

Click to view price, real time Inventory, Delivery & Lifecycle Information:

[Molex Connector Corporation](#)
[47504-0001](#)

For any questions, you can email us directly:
sales@integrated-circuit.com

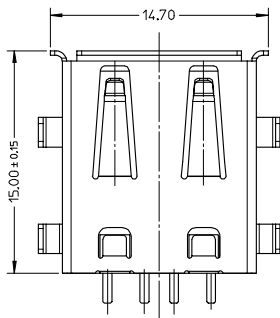
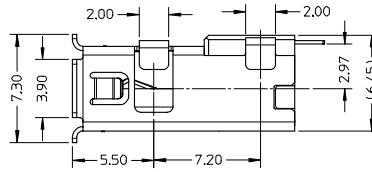
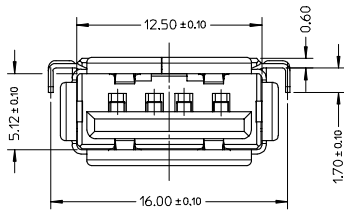
Contact us: sales@integrated-circuit.com Website: www.integrated-circuit.com



RECOMMENDED PCB LAYOUT (COMPONENT SIDE)
PCB THICKNESS=1.2mm (DEFAULT TOLERANCE=±0.05)

NOTES:

- MATERIAL:
 - HOUSING: PA6T, GLASS FIBRE FILLED, UL94-V0, COLOR: BLACK.
 - TERMINAL: PHOSPHOR BRONZE.
 - METAL SHELL: COPPER ALLOY.
- PLATING:
 - TERMINAL:
 - CONTACT AREA: GOLD FLASH PLATING.
 - SOLDER AREA: MATTE TIN 2 MICROMETRE MIN.
 - UNDERPLATING: NICKLE 1.27 MICROMETRE MIN.
 - METAL SHELL:
 - SOLDERABLE NICKEL 1.27 MICROMETRE MIN.
- PRODUCT SPECIFICATION REFERENCE TO PS-47504-001.
- COMPLIANT TO ROHS DIRECTIVE 2002/95/EC AND ELV DIRECTIVE 2000/53/EC.



NEW PRODUCT EC NO: SH2008-0222 DRAWN BY: DRINKWU 2007/11/15 CHECKED BY: CHIKORZHANG 2007/11/16 APPROVED BY: JICHEN 2007/11/23	QUALITY SYMBOLS ▽=0 ▽=0	GENERAL TOLERANCES (UNLESS SPECIFIED)		DIMENSION STYLE MM ONLY	SCALE 4:1	DESIGN UNITS METRIC	THIRD ANGLE PROJECTION	
		4 PLACES ± --- ± --- 3 PLACES ± --- ± --- 2 PLACES ± 0.25 ± --- 1 PLACE ± 0.30 ± ---	mm INCH	DRAWN BY: KLAUS WEI DATE: 2006/08/28	TITLE: SINGLE USB SMT TYPE REVERSE TYPE			
		ANGULAR ± --- °		CHECKED BY: ROST ZHANG DATE: 2006/08/28	MOLEX INCORPORATED			
		DRAFT WHERE APPLICABLE MUST REMAIN WITHIN DIMENSIONS		APPROVED BY: HARVEY WANG DATE: 2006/08/28	MATERIAL NO. 475040001	DOCUMENT NO. SD-47504-001	SHEET NO. 1 OF 1	