

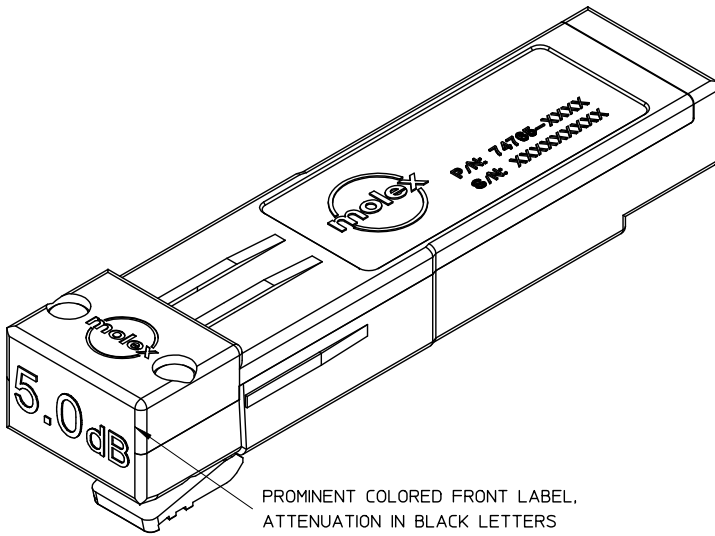
## Excellent Integrated System Limited

Stocking Distributor

Click to view price, real time Inventory, Delivery & Lifecycle Information:

[Molex Connector Corporation](#)  
[0747650906](#)

For any questions, you can email us directly:  
[sales@integrated-circuit.com](mailto:sales@integrated-circuit.com)

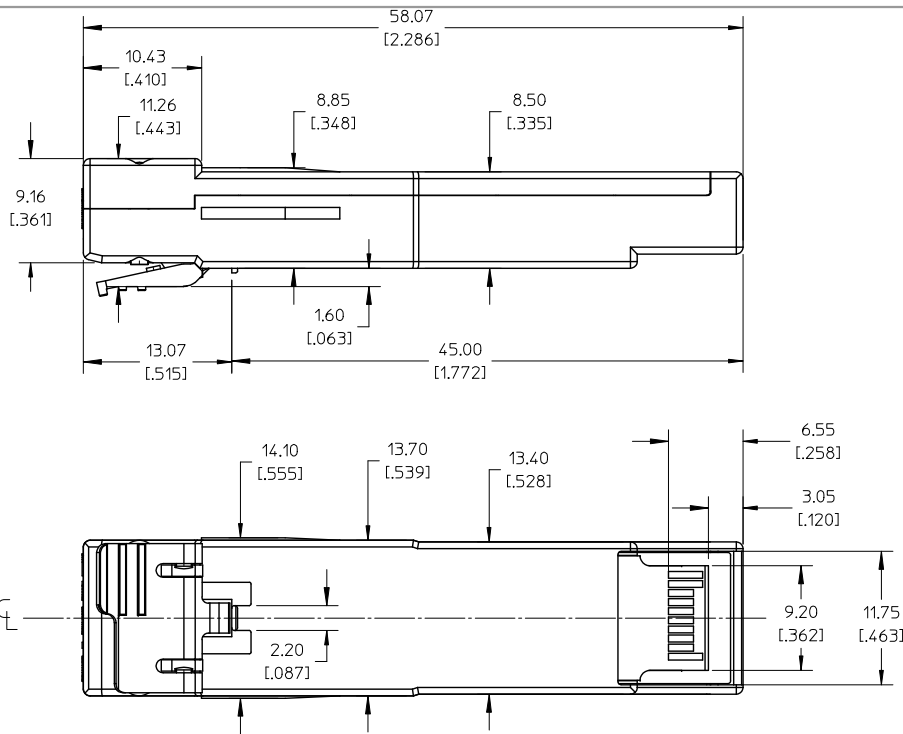


PROMINENT COLORED FRONT LABEL,  
ATTENUATION IN BLACK LETTERS

1. Mates to SFP components which comply to standard MSA dimension specifications.
2. Support for: Data rates to 10 Gbps
3. Robust zinc die cast body, bright nickel plated. Mounts belly-to-belly using 0.093"+ boards.
4. Raised wedges assure electrical contact with surrounding EMI cage assembly.
5. Spring loaded latch releases with simple squeeze, and pull action.
6. 100 ohm impedance.
7. Supports serial ID functionality.
8. 3.3V supply.
9. Hot pluggable.

PART NUMBER	LABEL COLOR	PART DESCRIPTION
747650904	TAN	SERIAL ID, WITH 5.0 dB ATTENUATION
747650906	LIGHT BLUE	SERIAL ID, WITH 0.0 dB ATTENUATION

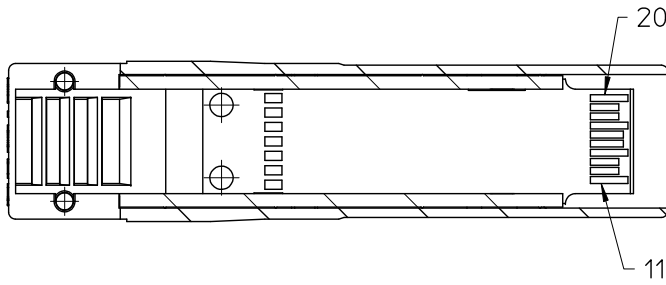
ENTER DESCRIPTION EC NO: USY2009-0124 DRWN: JERWIN 2008/09/25 CHKD: BRUSSELL 2008/10/07 APPR: BRUSSELL 2008/10/08	QUALITY SYMBOLS ▽=0 ▽=0	GENERAL TOLERANCES (UNLESS SPECIFIED)		DIMENSION STYLE	SCALE	DESIGN UNITS	THIRD ANGLE PROJECTION	
				MM/IN	2:1	METRIC		
		4 PLACES	± ---	± ---	DRAWN BY	DATE	TITLE SFP+ 10G LOOPBACK ADAPTER	
		3 PLACES	± ---	± .005	JERWIN	2007/11/07		
		2 PLACES	± 0.13	± ---	CHECKED BY	DATE	MATERIAL NO. DOCUMENT NO. SHEET NO.	
1 PLACE	± ---	± ---	BRUSSELL	2007/11/07		1 OF 3		
ANGULAR ± 1/2°		DRAFT WHERE APPLICABLE MUST REMAIN WITHIN DIMENSIONS		SEE CHART		SD-74765-0904		



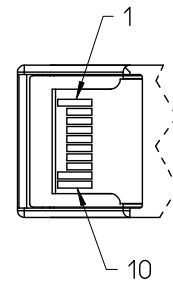
▲ ATTENUATION LEVEL FOR 74765-0904 SHOWN AS EXAMPLE.

<b>ENTER DESCRIPTION</b> EC NO: USY2009-0124 DRAWN: JERWIN 2008/09/25 CHKD: BRUSSELL 2008/10/07 APPR: BRUSSELL 2008/10/08 REV	QUALITY SYMBOLS ▽=0 ▽=0	GENERAL TOLERANCES (UNLESS SPECIFIED)	DIMENSION STYLE MM/IN	SCALE 2:1	DESIGN UNITS METRIC	THIRD ANGLE PROJECTION														
		<table border="1"> <thead> <tr> <th></th> <th>mm</th> <th>INCH</th> </tr> </thead> <tbody> <tr> <td>4 PLACES</td> <td>± ---</td> <td>± ---</td> </tr> <tr> <td>3 PLACES</td> <td>± ---</td> <td>± .005</td> </tr> <tr> <td>2 PLACES</td> <td>± 0.13</td> <td>± ---</td> </tr> <tr> <td>1 PLACE</td> <td>± ---</td> <td>± ---</td> </tr> </tbody> </table> ANGULAR ± 1/2°		mm	INCH	4 PLACES	± ---	± ---	3 PLACES	± ---	± .005	2 PLACES	± 0.13	± ---	1 PLACE	± ---	± ---	DRAWN BY JERWIN	DATE 2007/11/07	TITLE SFP+ 10G LOOPBACK ADAPTER
		mm	INCH																	
	4 PLACES	± ---	± ---																	
	3 PLACES	± ---	± .005																	
2 PLACES	± 0.13	± ---																		
1 PLACE	± ---	± ---																		
		CHECKED BY BRUSSELL	DATE 2007/11/07																	
			APPROVED BY BRUSSELL	DATE 2007/11/07	Molex MOLEX INCORPORATED															
		DRAFT WHERE APPLICABLE MUST REMAIN WITHIN DIMENSIONS	MATERIAL NO. SEE CHART	DOCUMENT NO. SD-74765-0904	SHEET NO. 2 OF 3															
			SIZE A	THIS DRAWING CONTAINS INFORMATION THAT IS PROPRIETARY TO MOLEX INCORPORATED AND SHOULD NOT BE USED WITHOUT WRITTEN PERMISSION																

Top View  
Cutaway



Bottom  
View



Gnd T	20	1	Gnd T
TD-	19	2	Tx Fault
TD+	18	3	Tx Disable
Gnd T	17	4	MOD-DEF(2)
VccT	16	5	MOD-DEF(1)
VccR	15	6	MOD-DEF(0)
Gnd R	14	7	Rate Select
RD+	13	8	LOS
RD-	12	9	Gnd R
Gnd R	11	10	Gnd R

<b>ENTER DESCRIPTION</b> EC NO: USY2009-0124 DRWN: JERWIN 2008/09/25 CHKD: BRUSSELL 2008/10/07 APPR: BRUSSELL 2008/10/08	<b>QUALITY SYMBOLS</b> ▽=0 ▽=0	<b>GENERAL TOLERANCES (UNLESS SPECIFIED)</b>		DIMENSION STYLE MM/IN	SCALE 2:1	DESIGN UNITS METRIC	THIRD ANGLE PROJECTION	
			mm	INCH	DRAWN BY JERWIN	DATE 2007/11/07	TITLE SFP+ 10G LOOPBACK ADAPTER	
		4 PLACES	± ---	± ---	CHECKED BY BRUSSELL	DATE 2007/11/07		
		3 PLACES	± ---	± .005	APPROVED BY BRUSSELL	DATE 2007/11/07	MOLEX INCORPORATED	
		2 PLACES	± 0.13	± ---	MATERIAL NO. SEE CHART			
1 PLACE	± ---	± ---	ANGULAR ±1/2°		THIS DRAWING CONTAINS INFORMATION THAT IS PROPRIETARY TO MOLEX INCORPORATED AND SHOULD NOT BE USED WITHOUT WRITTEN PERMISSION			
DRAFT WHERE APPLICABLE MUST REMAIN WITHIN DIMENSIONS								