

Excellent Integrated System Limited

Stocking Distributor

Click to view price, real time Inventory, Delivery & Lifecycle Information:

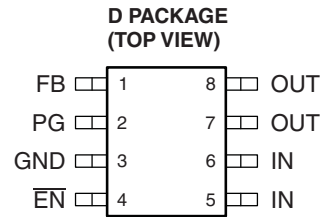
[Texas Instruments](#)
[TPS76501QDRQ1](#)

For any questions, you can email us directly:

sales@integrated-circuit.com

FEATURES

- Qualified for Automotive Applications
- 150-mA Low-Dropout (LDO) Voltage Regulator
- Dropout Voltage to 85 mV (Typ) at 150 mA (TPS76550)
- Ultra-Low 35- μ A (Typ) Quiescent Current
- 3% Tolerance Over Specified Conditions for Fixed-Output Versions
- Open-Drain Power Good Output
- Thermal Shutdown Protection

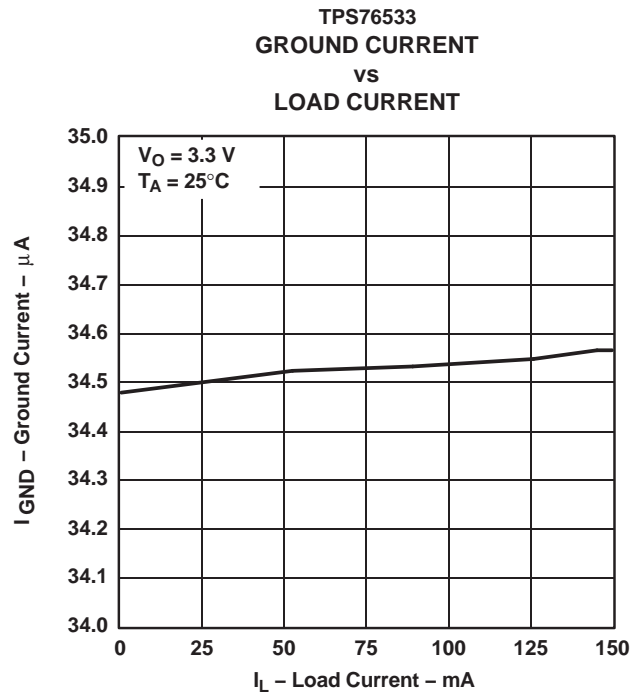
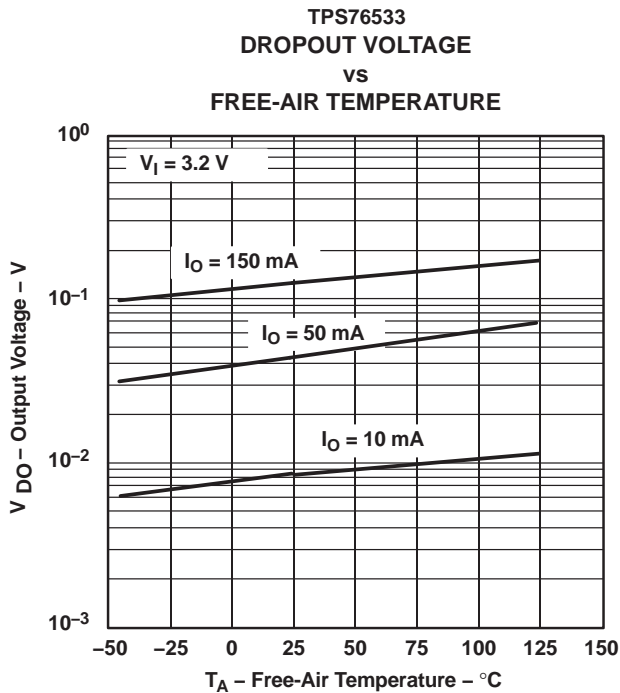


DESCRIPTION/ORDERING INFORMATION

This device is designed to have an ultra-low quiescent current and be stable with a 4.7- μ F capacitor. This combination provides high performance at a reasonable cost.

Because the PMOS device behaves as a low-value resistor, the dropout voltage is very low (typically 85 mV at an output current of 150 mA for the TPS76550) and is directly proportional to the output current. Additionally, since the PMOS pass element is a voltage-driven device, the quiescent current is very low and independent of output loading (typically 35 μ A over the full range of output current, 0 mA to 150 mA). These two key specifications yield a significant improvement in operating life for battery-powered systems. This LDO also features a sleep mode; applying a TTL high signal to EN (enable) shuts down the regulator, reducing the quiescent current to less than 1 μ A (typ).

Power good (PG) is an active-high output, which can be used to implement a power-on reset or a low-battery indicator.



Please be aware that an important notice concerning availability, standard warranty, and use in critical applications of Texas Instruments semiconductor products and disclaimers thereto appears at the end of this data sheet.

TPS76501-Q1

ULTRALOW QUIESCENT CURRENT 150-mA LOW-DROPOUT VOLTAGE REGULATOR

SLVS800–DECEMBER 2007

The TPS765xx is offered in 1.5-V, 1.8-V, 2.5-V, 2.7-V, 2.8-V, 3-V, 3.3-V and 5-V fixed-voltage versions and in an adjustable version (programmable over the range of 1.25 V to 5.5 V). Output voltage tolerance is specified as a maximum of 3% over line, load, and temperature ranges. The TPS765xx family is available in an 8-pin SOIC package.

ORDERING INFORMATION⁽¹⁾

T _A	V _O (TYP)	PACKAGE ⁽²⁾		ORDERABLE PART NUMBER	TOP-SIDE MARKING
-40°C to 125°C	Adjustable	SOIC – D	Reel of 2500	TPS76501QDRQ1	76501Q

- (1) For the most current package and ordering information, see the Package Option Addendum at the end of this document, or see the TI web site at www.ti.com.
- (2) Package drawings, thermal data, and symbolization are available at www.ti.com/packaging.

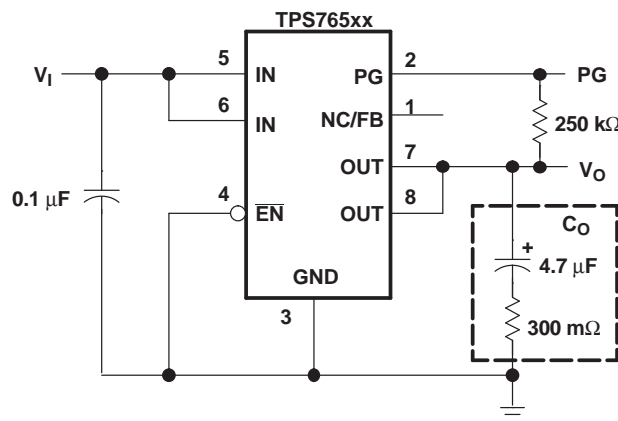
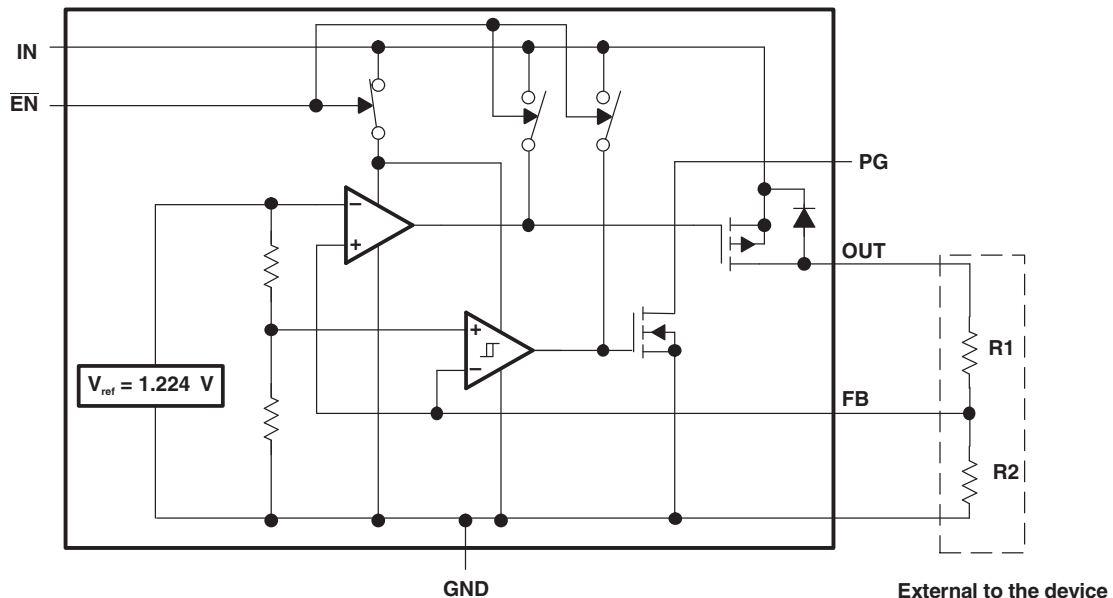


Figure 1. Typical Application Configuration for Fixed Output Options

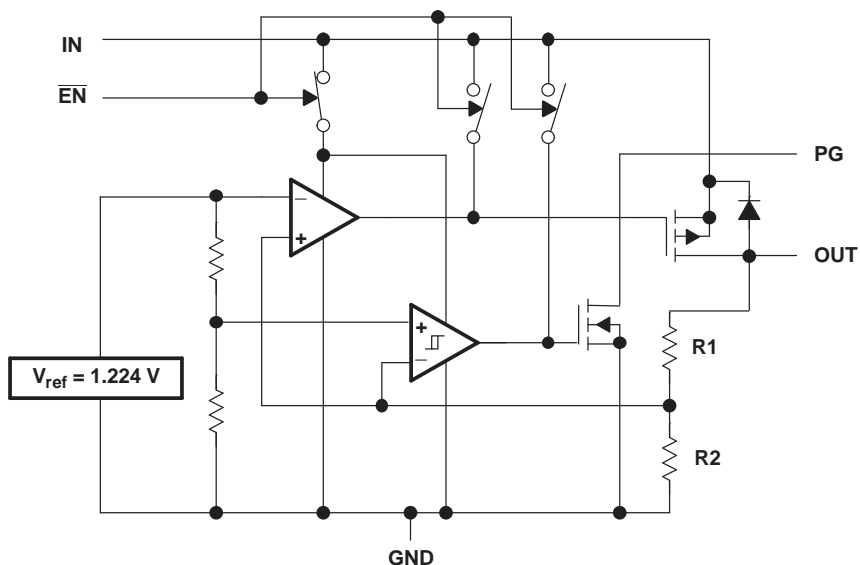
FUNCTIONAL BLOCK DIAGRAM – ADJUSTABLE-VOLTAGE VERSION



**ULTRALOW QUIESCENT CURRENT 150-mA LOW-DROPOUT
VOLTAGE REGULATOR**

SLVS800-DECEMBER 2007

FUNCTIONAL BLOCK DIAGRAM – FIXED-VOLTAGE VERSION



TERMINAL FUNCTIONS

TERMINAL		I/O	DESCRIPTION
NAME	NO.		
EN	1	I	Enable
FB	2	I	Feedback voltage
GND	3		Regulator ground
IN	4, 5	I	Input voltage
OUT	6, 7	O	Regulated output voltage
PG	8	O	Power good output

TPS76501-Q1

ULTRALOW QUIESCENT CURRENT 150-mA LOW-DROPOUT VOLTAGE REGULATOR



SLVS800–DECEMBER 2007

ABSOLUTE MAXIMUM RATINGS⁽¹⁾⁽²⁾

over operating free-air temperature range (unless otherwise noted)

		VALUE	
V _I	Input voltage range	–0.3 V to 13.5 V	
	Voltage range at \overline{EN}	–0.3 V to 16.5 V	
	Maximum PG voltage	16.5 V	
I _O	Peak output current	Internally limited	
P _D	Continuous total power dissipation	See <i>Dissipation Ratings</i>	
V _O	Output voltage (OUT, FB)	7 V	
T _J	Operating virtual junction temperature range	–40°C to 125°C	
T _{stg}	Storage temperature range	–65°C to 150°C	
ESD	Electrostatic discharge rating	Human-Body Model	2000 V
		Machine Model	200 V
		Charged-Device Model	1500 V

- (1) Stresses beyond those listed under *absolute maximum ratings* may cause permanent damage to the device. These are stress ratings only, and functional operation of the device at these or any other conditions beyond those indicated under *recommended operating conditions* is not implied. Exposure to absolute-maximum-rated conditions for extended periods may affect device reliability.
- (2) All voltage values are with respect to network terminal ground.

DISSIPATION RATINGS

PACKAGE	AIR FLOW (CFM)	POWER RATING T _A < 25°C	DERATING FACTOR T _A ≥ 25°C	POWER RATING T _A = 70°C	POWER RATING T _A = 85°C
D	0	568 mW	5.68 mW/°C	312 mW	227 mW
	250	904 mW	9.04 mW/°C	497 mW	361 mW

RECOMMENDED OPERATING CONDITIONS

		MIN	MAX	UNIT
V _I	Input voltage ⁽¹⁾	2.7	10	V
V _O	Output voltage	1.2	5.5	V
I _O	Output current ⁽²⁾	0	150	mA
T _J	Operating virtual junction temperature	–40	125	°C

- (1) To calculate the minimum input voltage for your maximum output current, use the following equation: $V_{I(min)} = V_{O(max)} + V_{DO(max\ load)}$.
- (2) Continuous current and operating junction temperature are limited by internal protection circuitry, but it is not recommended that the device operate under conditions beyond those specified in this table for extended periods of time.

ELECTRICAL CHARACTERISTICS
 $V_I = V_{O(\text{typ})} + 1 \text{ V}$, $I_O = 10 \mu\text{A}$, $\overline{\text{EN}} = 0 \text{ V}$, $C_O = 4.7 \mu\text{F}$ (unless otherwise noted)

PARAMETER		TEST CONDITIONS	T _J	MIN	TYP	MAX	UNIT
Output voltage ⁽¹⁾	TPS76501	10-μA to 150-mA load	5.5 V ≥ V _O ≥ 1.25 V	25°C	V _O		V
			–40°C to 125°C	0.97V _O	1.03V _O		
	TPS76515	2.7 V < V _{IN} < 10 V	25°C	1.5			
			–40°C to 125°C	1.455	1.545		
	TPS76518	2.8 V < V _{IN} < 10 V	25°C	1.8			
			–40°C to 125°C	1.746	1.854		
	TPS76525	3.5 V < V _{IN} < 10 V	25°C	2.5			
			–40°C to 125°C	2.425	2.575		
	TPS76527	3.7 V < V _{IN} < 10 V	25°C	2.7			
			–40°C to 125°C	2.619	2.781		
	TPS76528	3.8 V < V _{IN} < 10 V	25°C	2.8			
			–40°C to 125°C	2.716	2.884		
	TPS76530	4 V < V _{IN} < 10 V	25°C	3			
			–40°C to 125°C	2.910	3.090		
TPS76533	4.3 V < V _{IN} < 10 V	25°C	3.3				
		–40°C to 125°C	3.201	3.399			
TPS76550	6 V < V _{IN} < 10 V	25°C	5				
		–40°C to 125°C	4.850	5.150			
Quiescent current (GND current) ⁽¹⁾		10 μA < I _O < 150 mA	25°C	35		μA	
		I _O = 150 mA	–40°C to 125°C	50			
Output voltage line regulation ⁽¹⁾⁽²⁾ (ΔV _O /V _O)		V _O + 1 V < V _I ≤ 10 V	25°C	0.01		%/V	
Load regulation		I _O = 10 μA to 150 mA	–40°C to 125°C	0.3		%	
Output noise voltage		BW = 300 Hz to 50 kHz, C _O = 4.7 μF	25°C	200		μVrms	
Output current limit		V _O = 0 V	–40°C to 125°C	0.8	1.2	A	
Thermal shutdown junction temperature				150		°C	
Standby current		$\overline{\text{EN}} = V_I$, 2.7 V < V _I < 10 V	25°C	1		μA	
			–40°C to 125°C	10			
FB input current	TPS76501	FB = 1.5 V	–40°C to 125°C	2		nA	
High-level $\overline{\text{EN}}$ input voltage			–40°C to 125°C	2		V	
Low-level $\overline{\text{EN}}$ input voltage			–40°C to 125°C	0.8		V	
Power-supply ripple rejection ⁽¹⁾		f = 1 kHz, C _O = 4.7 μF, I _O = 10 mA	25°C	63		dB	
PG	Minimum input voltage for valid PG	I _{O(PG)} = 300 μA	–40°C to 125°C	1.1		V	
	Trip threshold voltage	V _O decreasing	–40°C to 125°C	92	98	%V _O	
	Hysteresis voltage	Measured at V _O	–40°C to 125°C	0.5		%V _O	
	Output low voltage	V _I = 2.7 V, I _{O(PG)} = 1 mA	–40°C to 125°C	0.15	0.4	V	
	Leakage current	V _(PG) = 5 V	–40°C to 125°C	1		μA	
EN input current		$\overline{\text{EN}} = 0 \text{ V}$	–40°C to 125°C	–1	0	1	μA
		$\overline{\text{EN}} = V_I$		–1	1		

 (1) Minimum IN operating voltage is 2.7 V or V_{O(typ)} + 1 V, whichever is greater. Maximum IN voltage 10 V.

 (2) If V_O ≤ 1.8 V then V_{I(min)} = 2.7 V, V_{I(max)} = 10 V:

$$\text{Line Regulation (mV)} = (\% / \text{V}) \times \frac{V_O(V_{I(\text{max})} - 2.7 \text{ V})}{100} \times 1000$$

 If V_O ≥ 2.5 V then V_{I(min)} = V_O + 1 V, V_{I(max)} = 10 V:

$$\text{Line Regulation (mV)} = (\% / \text{V}) \times \frac{V_O(V_{I(\text{max})} - (V_O + 1 \text{ V}))}{100} \times 1000$$

TPS76501-Q1

ULTRALOW QUIESCENT CURRENT 150-mA LOW-DROPOUT VOLTAGE REGULATOR



SLVS800–DECEMBER 2007

ELECTRICAL CHARACTERISTICS (continued)

$V_I = V_{O(typ)} + 1\text{ V}$, $I_O = 10\ \mu\text{A}$, $\overline{EN} = 0\text{ V}$, $C_O = 4.7\ \mu\text{F}$ (unless otherwise noted)

PARAMETER		TEST CONDITIONS	T _J	MIN	TYP	MAX	UNIT
Dropout voltage ⁽³⁾	TPS76528	$I_O = 150\text{ mA}$	25°C		190		mV
			-40°C to 125°C			330	
	TPS76530		25°C		160		
			-40°C to 125°C			280	
	TPS76533		25°C		140		
			-40°C to 125°C			240	
	TPS76550		25°C		85		
			-40°C to 125°C			150	

(3) IN voltage equals $V_{O(typ)} - 100\text{ mV}$ with output voltage set to 3.3 V nominal with external resistor divider. TPS76515, TPS76518, TPS76525, and TPS76527 dropout voltage limited by input voltage range limitations (i.e., TPS76530 input voltage must drop to 2.9 V for purpose of this test).

TYPICAL CHARACTERISTICS

Table of Graphs

		FIGURE
Output voltage	vs Load current	2, 3
	vs Free-air temperature	4, 5
Ground current	vs Load current	6, 7
	vs Free-air temperature	8, 9
Power-supply ripple rejection	vs Frequency	10
Output spectral noise density	vs Frequency	11
Output impedance	vs Frequency	12
Dropout voltage	vs Free-air temperature	13, 14
Line transient response		15, 17
Load transient response		16, 18
Output voltage	vs Time	19
Dropout voltage	vs Input voltage	20
Equivalent series resistance (ESR) ⁽¹⁾	vs Output current	21 through 24
Equivalent series resistance (ESR) ⁽¹⁾	vs Added ceramic capacitance	25, 26

(1) Equivalent series resistance (ESR) refers to the total series resistance, including the ESR of the capacitor, any series resistance added externally, and PWB trace resistance to C_O.

TPS76501-Q1

ULTRALOW QUIESCENT CURRENT 150-mA LOW-DROPOUT VOLTAGE REGULATOR

SLVS800-DECEMBER 2007

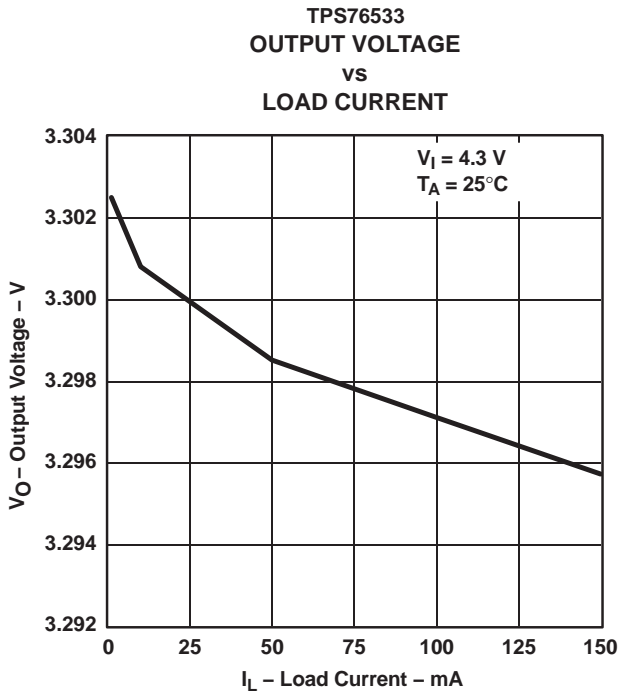


Figure 2.
TPS76533

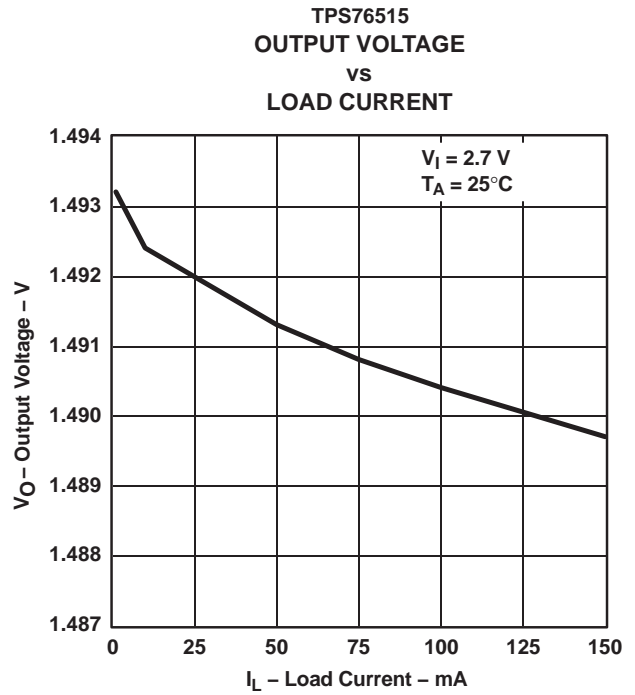


Figure 3.
TPS76515

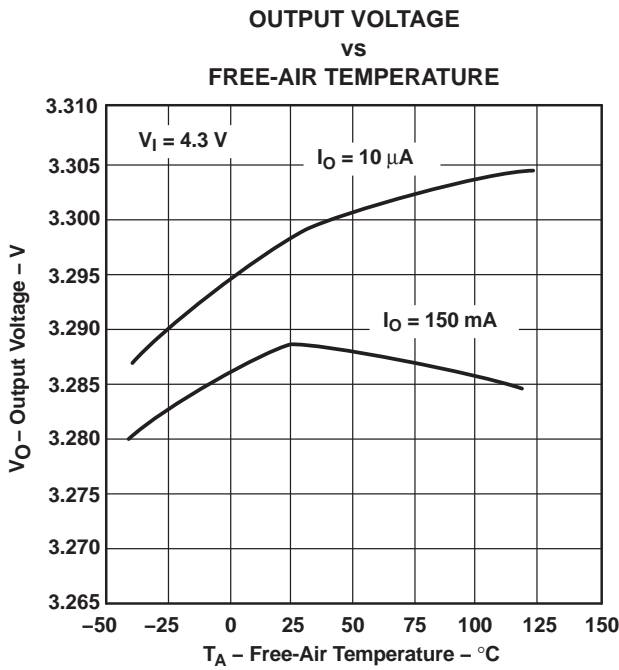


Figure 4.

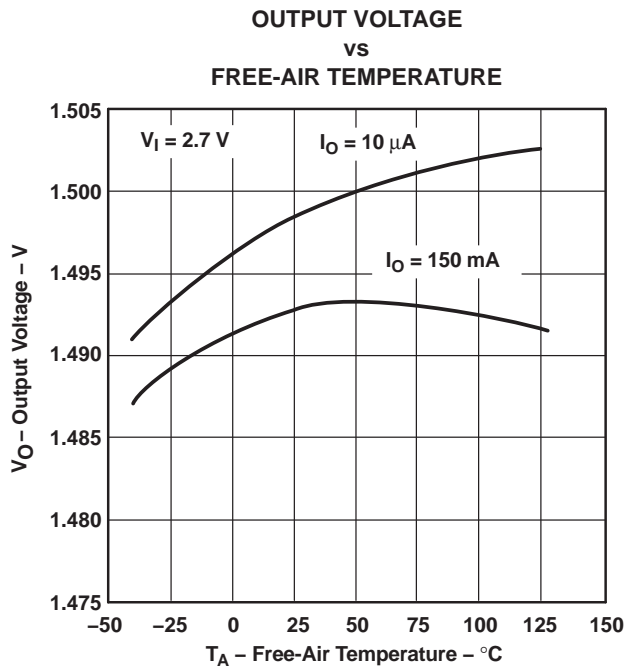
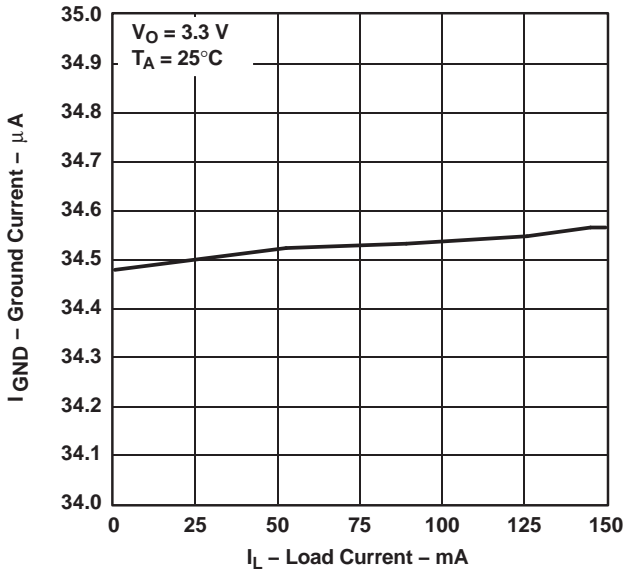


Figure 5.

**ULTRALOW QUIESCENT CURRENT 150-mA LOW-DROPOUT
VOLTAGE REGULATOR**

**TPS76533
GROUND CURRENT
vs
LOAD CURRENT**



**Figure 6.
TPS76533**

**GROUND CURRENT
vs
FREE-AIR TEMPERATURE**

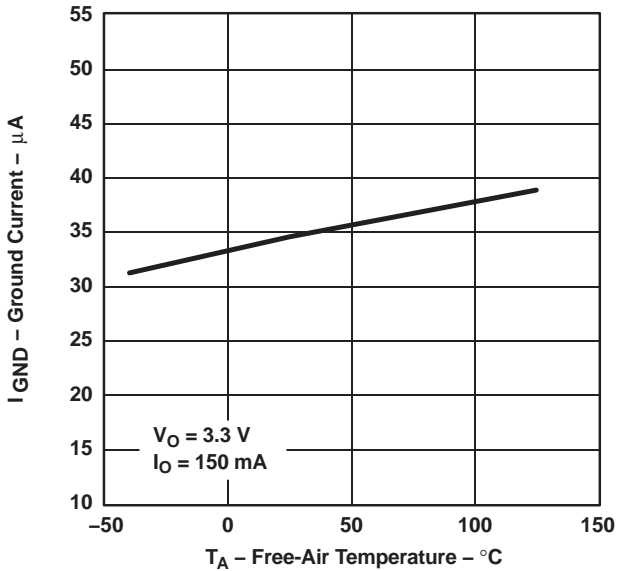
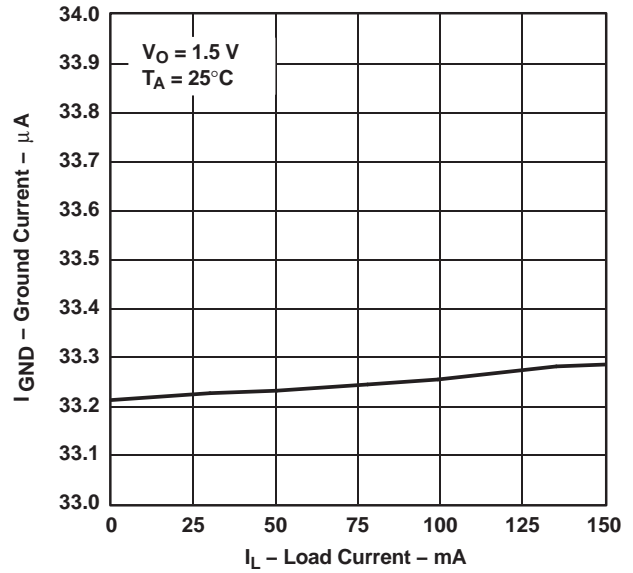


Figure 8.

**TPS76515
GROUND CURRENT
vs
LOAD CURRENT**



**Figure 7.
TPS76515**

**GROUND CURRENT
vs
FREE-AIR TEMPERATURE**

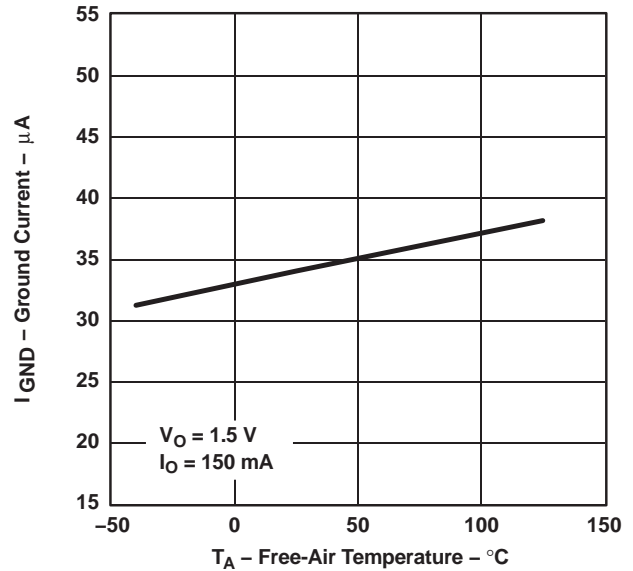


Figure 9.

TPS76501-Q1

ULTRALOW QUIESCENT CURRENT 150-mA LOW-DROPOUT VOLTAGE REGULATOR

SLVS800-DECEMBER 2007



TPS76533
POWER SUPPLY RIPPLE REJECTION
VS
FREQUENCY

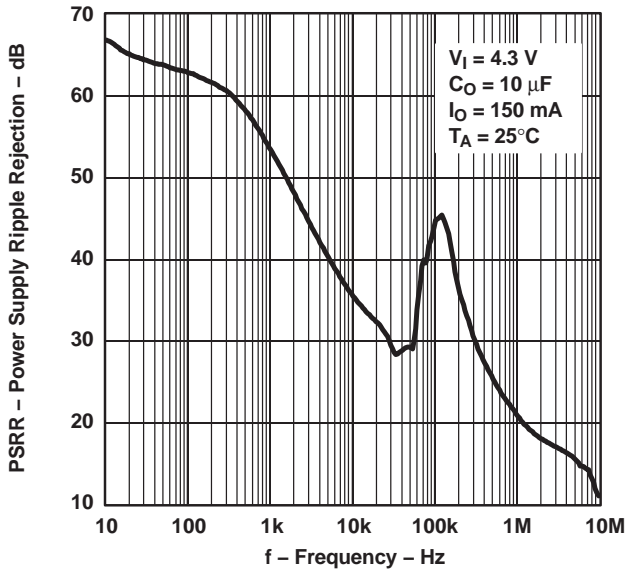


Figure 10.

TPS76533
OUTPUT SPECTRAL NOISE DENSITY
VS
FREQUENCY

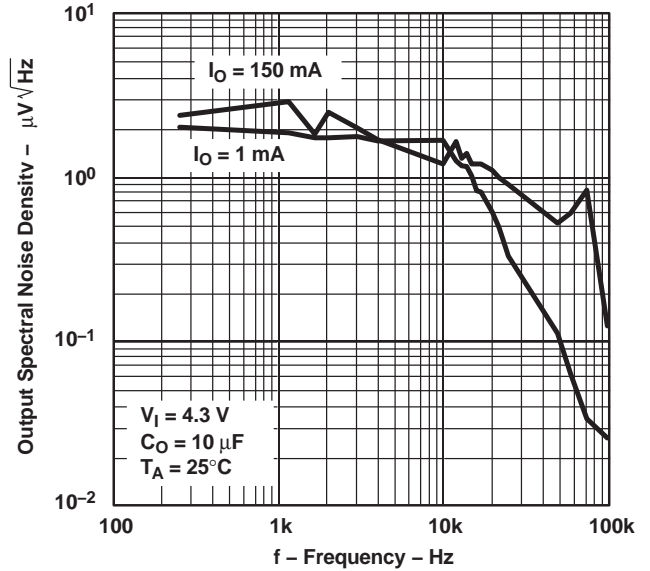


Figure 11.

TPS76533
OUTPUT IMPEDANCE
VS
FREQUENCY

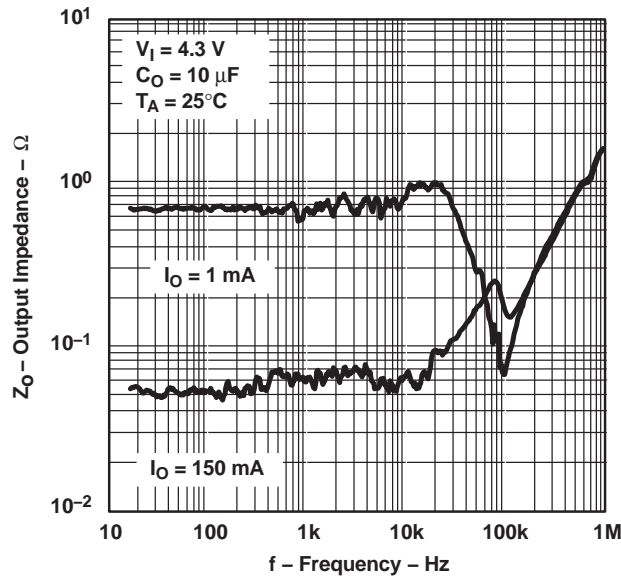
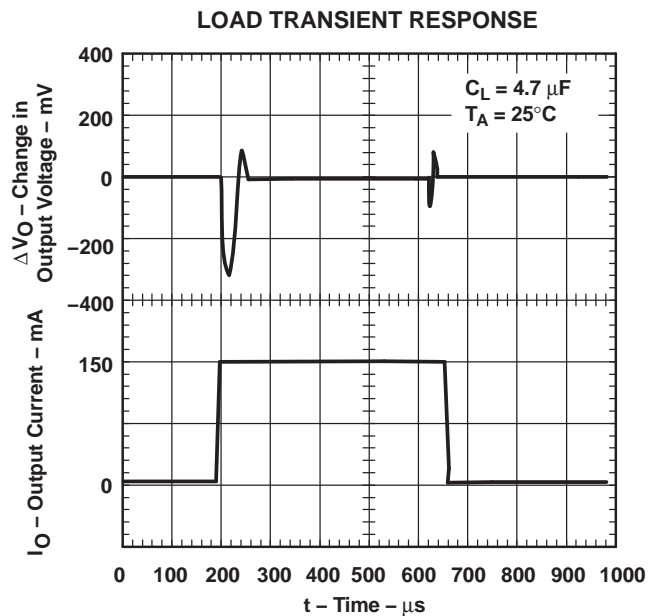
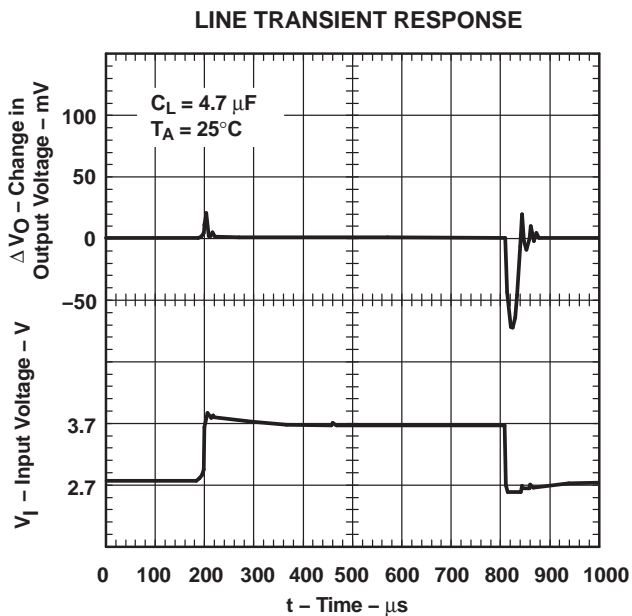
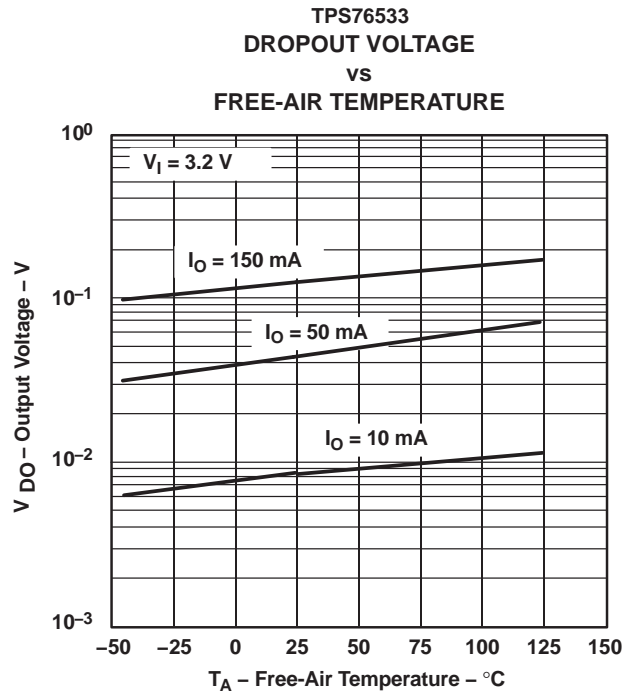
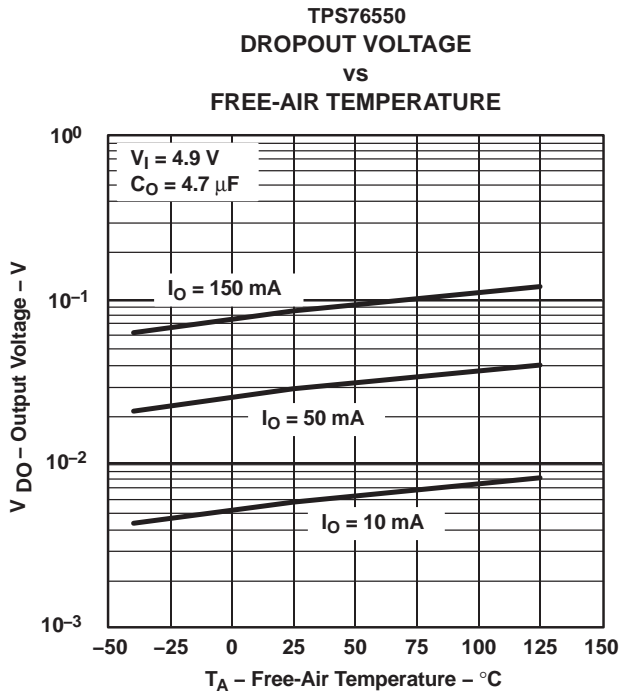


Figure 12.

ULTRALOW QUIESCENT CURRENT 150-mA LOW-DROPOUT VOLTAGE REGULATOR



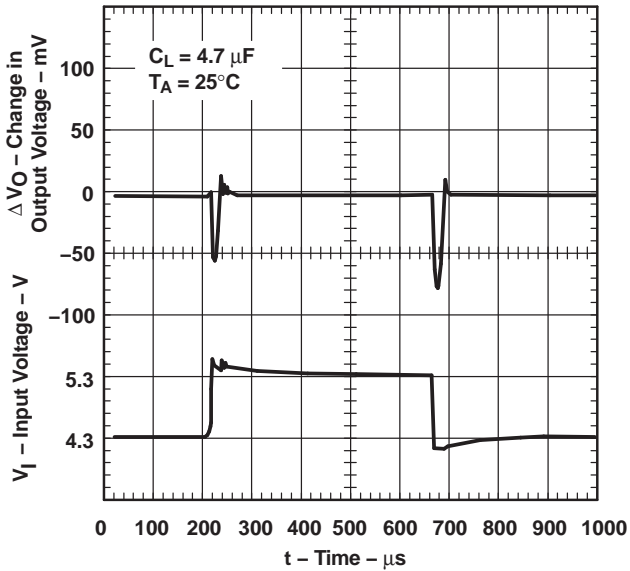
TPS76501-Q1

ULTRALOW QUIESCENT CURRENT 150-mA LOW-DROPOUT VOLTAGE REGULATOR



SLVS800-DECEMBER 2007

**TPS76533
LINE TRANSIENT RESPONSE**



**Figure 17.
TPS76533**

**OUTPUT VOLTAGE
vs
TIME (AT STARTUP)**

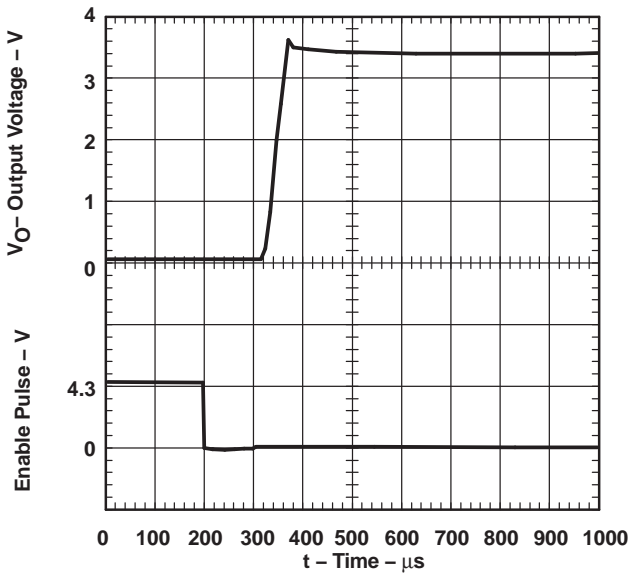
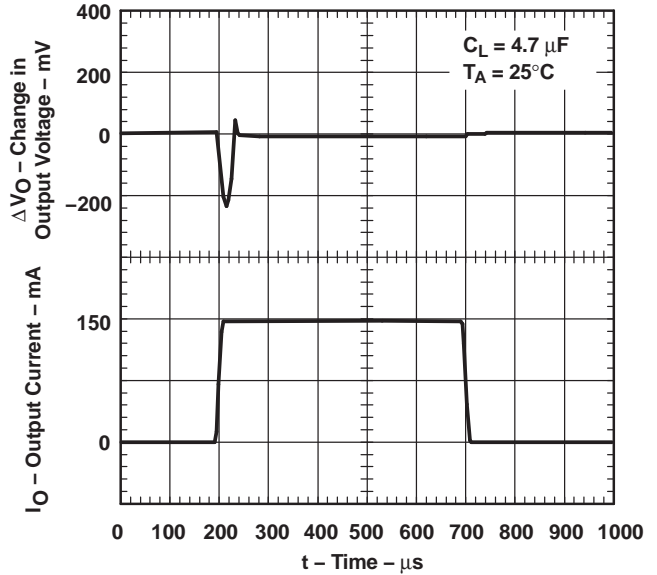


Figure 19.

**TPS76533
LOAD TRANSIENT RESPONSE**



**Figure 18.
TPS76501**

**DROPOUT VOLTAGE
vs
INPUT VOLTAGE**

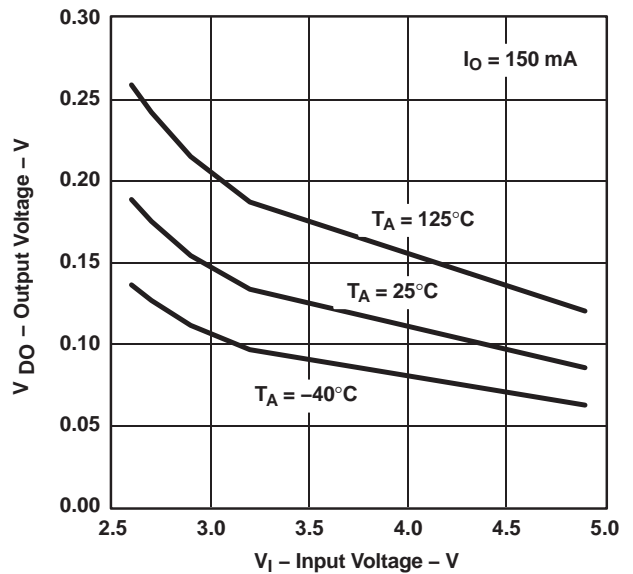


Figure 20.

ULTRALOW QUIESCENT CURRENT 150-mA LOW-DROPOUT VOLTAGE REGULATOR

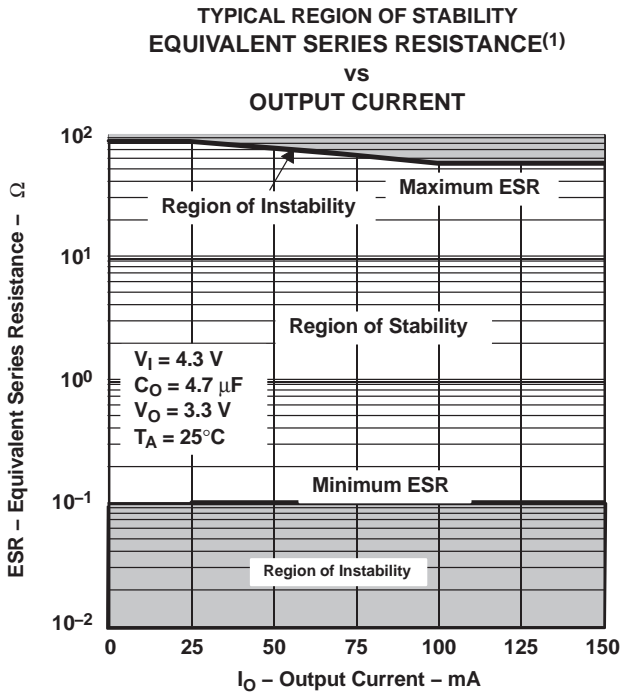


Figure 21.

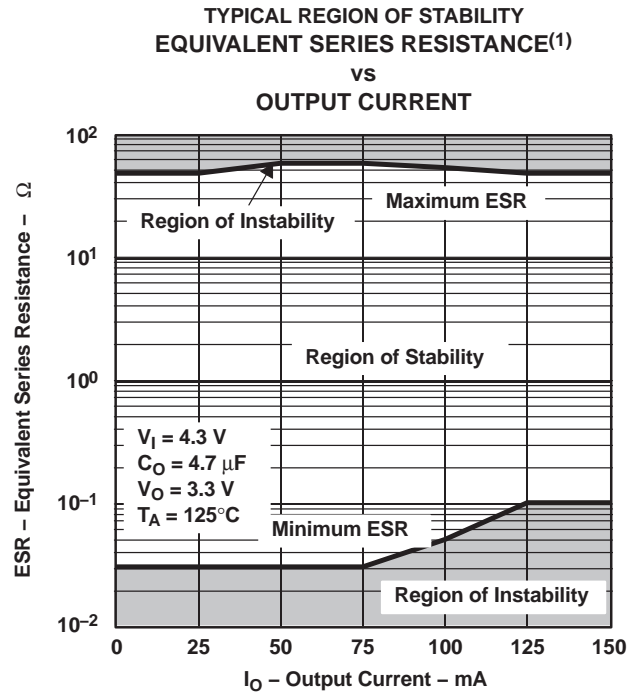


Figure 22.

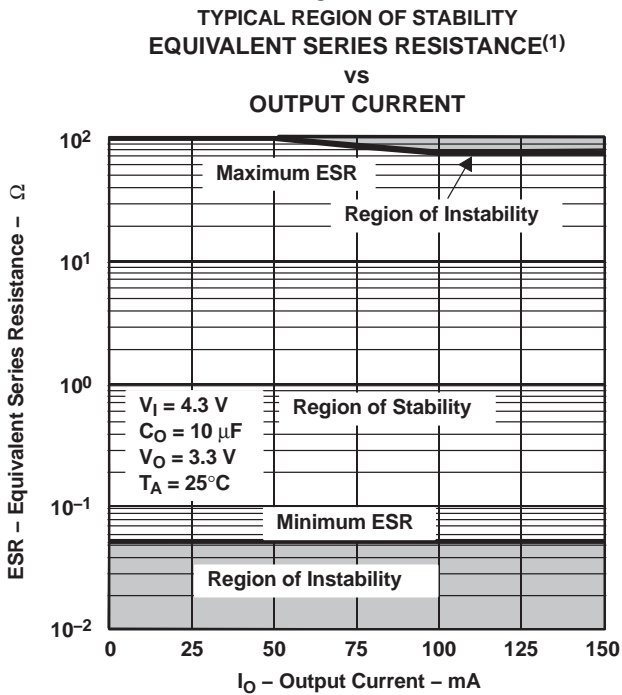


Figure 23.

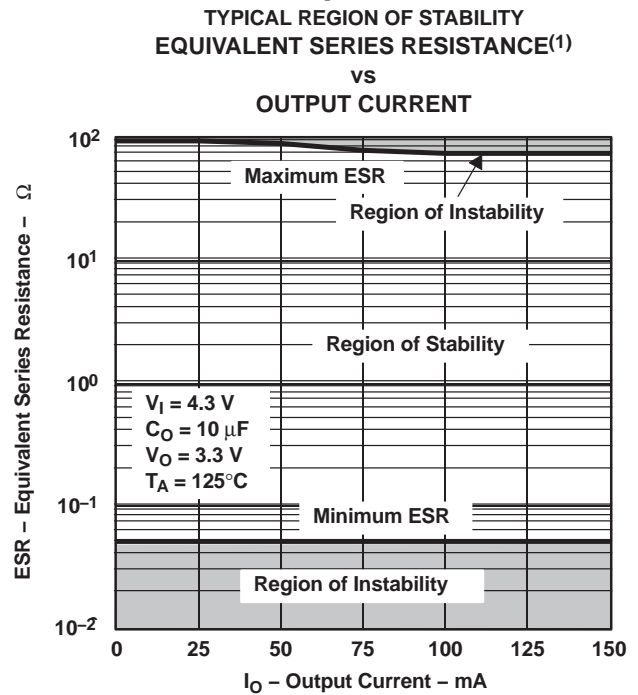


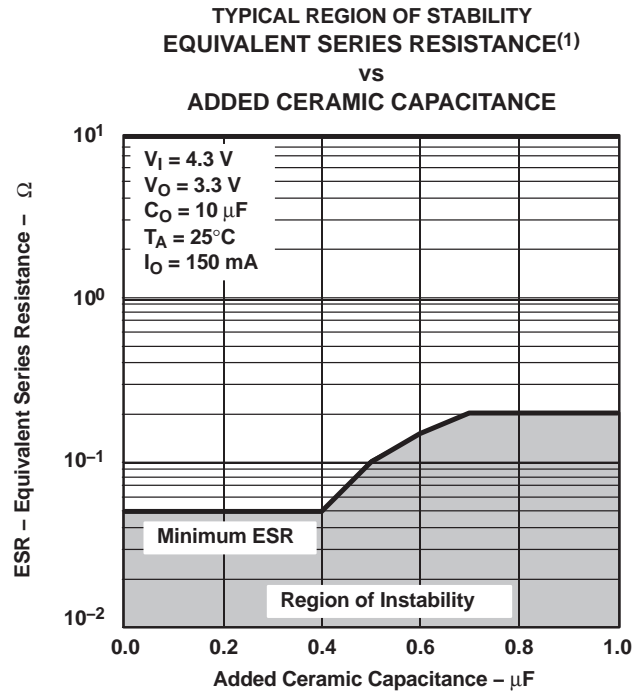
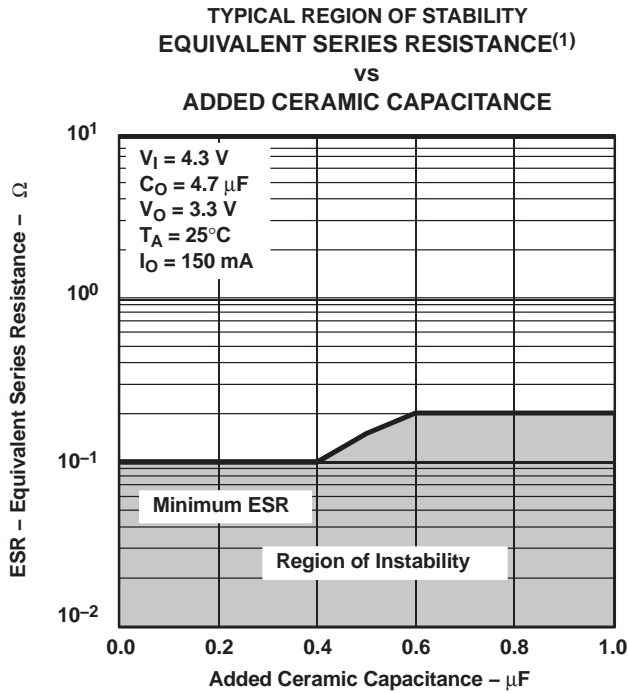
Figure 24.

(1) Equivalent series resistance (ESR) refers to the total series resistance, including the ESR of the capacitor, any series resistance added externally, and PWB trace resistance to C_O .

TPS76501-Q1

ULTRALOW QUIESCENT CURRENT 150-mA LOW-DROPOUT VOLTAGE REGULATOR

SLVS800-DECEMBER 2007



(1) Equivalent series resistance (ESR) refers to the total series resistance, including the ESR of the capacitor, any series resistance added externally, and PWB trace resistance to C_O .

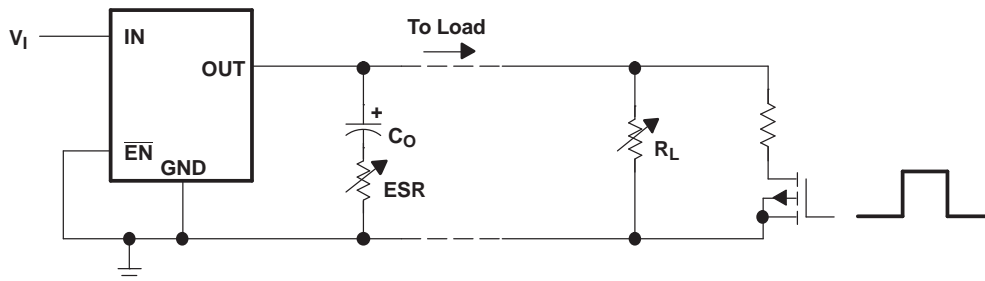


Figure 27. Test Circuit for Typical Regions of Stability (Figure 21 through Figure 24) (Fixed-Output Options)

APPLICATION INFORMATION

The TPS765xx family includes eight fixed-output voltage regulators (1.5 V, 1.8 V, 2.5 V, 2.7 V, 2.8 V, 3 V, 3.3 V, and 5 V), and an adjustable regulator, the TPS76501 (adjustable from 1.25 V to 5.5 V).

Device Operation

The TPS765xx features very low quiescent current, which remains virtually constant even with varying loads. Conventional LDO regulators use a pnp pass element, the base current of which is directly proportional to the load current through the regulator ($I_B = I_O/\beta$). The TPS765xx uses a PMOS transistor to pass current; because the gate of the PMOS is voltage driven, operating current is low and invariable over the full load range.

Another pitfall associated with the pnp-pass element is its tendency to saturate when the device goes into dropout. The resulting drop in β forces an increase in I_B to maintain the load. During power up, this translates to large start-up currents. Systems with limited supply current may fail to start up. In battery-powered systems, it means rapid battery discharge when the voltage decays below the minimum required for regulation. The TPS765xx quiescent current remains low even when the regulator drops out, eliminating both problems.

The TPS765xx also features a shutdown mode that places the output in the high-impedance state (essentially equal to the feedback-divider resistance) and reduces quiescent current to 1 μ A (typ). If the shutdown feature is not used, \overline{EN} should be tied to ground. Response to an enable transition is quick; regulated output voltage is reestablished in typically 160 μ s.

Minimum Load Requirements

The TPS765xx is stable even at zero load; no minimum load is required for operation.

FB Pin Connection

The FB pin is an input pin to sense the output voltage and close the loop for the adjustable voltage. The output voltage is sensed through a resistor divider network to close the loop as it is shown in [Figure 29](#). Normally, this connection should be as short as possible; however, the connection can be made near a critical circuit to improve performance at that point. Internally, FB connects to a high-impedance wide-bandwidth amplifier and noise pickup feeds through to the regulator output. Routing the FB connection to minimize/avoid noise pickup is essential.

External Capacitor Requirements

An input capacitor is not usually required; however, a ceramic bypass capacitor (0.047 μ F or larger) improves load transient response and noise rejection if the TPS765xx is located more than a few inches from the power supply. A higher-capacitance electrolytic capacitor may be necessary if large (hundreds of milliamps) load transients with fast rise times are anticipated.

Like all LDO regulators, the TPS765xx requires an output capacitor connected between OUT and GND to stabilize the internal control loop. The minimum recommended capacitance value is 4.7 μ F and the ESR must be between 300 m Ω and 20 Ω . Capacitor values 4.7 μ F or larger are acceptable, provided the ESR is less than 20 Ω . Solid tantalum electrolytic, aluminum electrolytic, and multilayer ceramic capacitors are all suitable, provided they meet the requirements described previously.

TPS76501-Q1

ULTRALOW QUIESCENT CURRENT 150-mA LOW-DROPOUT VOLTAGE REGULATOR

SLVS800–DECEMBER 2007

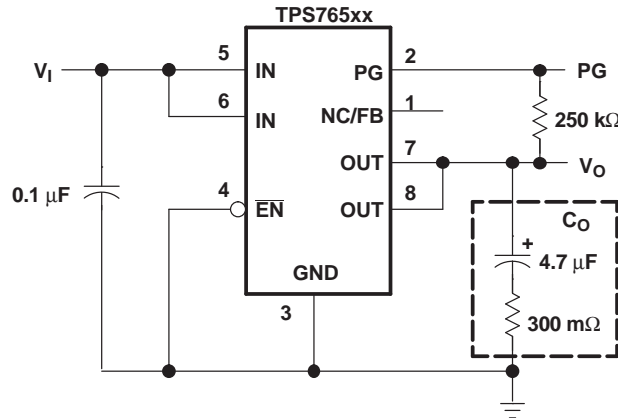


Figure 28. Typical Application Circuit (Fixed Versions)

Programming the TPS76501 Adjustable LDO Regulator

The output voltage of the TPS76501 adjustable regulator is programmed using an external resistor divider as shown in Figure 29. The output voltage is calculated using Equation 1:

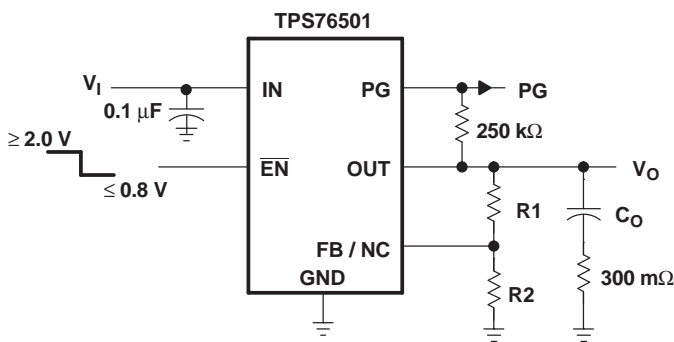
$$V_O = V_{ref} \times \left(1 + \frac{R1}{R2} \right) \tag{1}$$

Where

$V_{ref} = 1.224 \text{ V (typ)}$ (the internal reference voltage)

Resistors R1 and R2 should be chosen for approximately 7-μA divider current. Lower-value resistors can be used but offer no inherent advantage and waste more power. Higher values should be avoided as leakage currents at FB increase the output voltage error. The recommended design procedure is to choose $R2 = 169 \text{ k}\Omega$ to set the divider current at 7 μA and then calculate R1 using Equation 2:

$$R1 = \left(\frac{V_O}{V_{ref}} - 1 \right) \times R2 \tag{2}$$



OUTPUT VOLTAGE PROGRAMMING GUIDE

OUTPUT VOLTAGE	R1	R2	UNIT
2.5 V	174	169	kΩ
3.3 V	287	169	kΩ
3.6 V	324	169	kΩ
4.0 V	383	169	kΩ
5.0 V	523	169	kΩ

Figure 29. TPS76501 Adjustable LDO Regulator Programming

Power-Good Indicator (PG)

The TPS765xx features a power-good output that can be used to monitor the status of the regulator. The internal comparator monitors the output voltage: when the output drops to between 92% and 98% of its nominal regulated value, the PG output transistor turns on, taking the signal low. The open-drain output requires a pullup resistor. If not used, it can be left floating. PG can be used to drive power-on reset circuitry or used as a low-battery indicator.

Regulator Protection

The TPS765xx PMOS-pass transistor has a built-in back diode that conducts reverse currents when the input voltage drops below the output voltage (e.g., during power down). Current is conducted from the output to the input and is not internally limited. When extended reverse voltage is anticipated, external limiting may be appropriate.

The TPS765xx also features internal current limiting and thermal protection. During normal operation, the TPS765xx limits output current to approximately 0.8 A. When current limiting engages, the output voltage scales back linearly until the overcurrent condition ends. While current limiting is designed to prevent gross device failure, care should be taken not to exceed the power dissipation ratings of the package. If the temperature of the device exceeds 150°C (typical), thermal-protection circuitry shuts it down. Once the device has cooled below 130°C (typical), regulator operation resumes.

Power Dissipation and Junction Temperature

Specified regulator operation is assured to a junction temperature of 125°C; the maximum junction temperature should be restricted to 125°C under normal operating conditions. This restriction limits the power dissipation the regulator can handle in any given application. To ensure the junction temperature is within acceptable limits, calculate the maximum allowable dissipation, $P_{D(max)}$, and the actual dissipation, P_D , which must be less than or equal to $P_{D(max)}$.

The maximum-power-dissipation limit is determined using the following equation:

$$P_{D(max)} = \frac{T_{Jmax} - T_A}{R_{\theta JA}}$$

Where

T_{Jmax} is the maximum allowable junction temperature.

$R_{\theta JA}$ is the thermal resistance junction-to-ambient for the package.

T_A is the ambient temperature.


The regulator dissipation is calculated using:

$$P_D = (V_I - V_O) \times I_O$$

Power dissipation resulting from quiescent current is negligible. Excessive power dissipation triggers the thermal protection circuit.



PACKAGING INFORMATION

Orderable Device	Status (1)	Package Type	Package Drawing	Pins	Package Qty	Eco Plan (2)	Lead/Ball Finish (6)	MSL Peak Temp (3)	Op Temp (°C)	Device Marking (4/5)	Samples
TPS76501QDRQ1	ACTIVE	SOIC	D	8	2500	Green (RoHS & no Sb/Br)	CU NIPDAU	Level-1-260C-UNLIM	-40 to 125	76501Q	

(1) The marketing status values are defined as follows:

ACTIVE: Product device recommended for new designs.

LIFEBUY: TI has announced that the device will be discontinued, and a lifetime-buy period is in effect.

NRND: Not recommended for new designs. Device is in production to support existing customers, but TI does not recommend using this part in a new design.

PREVIEW: Device has been announced but is not in production. Samples may or may not be available.

OBSELETE: TI has discontinued the production of the device.

(2) Eco Plan - The planned eco-friendly classification: Pb-Free (RoHS), Pb-Free (RoHS Exempt), or Green (RoHS & no Sb/Br) - please check <http://www.ti.com/productcontent> for the latest availability information and additional product content details.

TBD: The Pb-Free/Green conversion plan has not been defined.

Pb-Free (RoHS): TI's terms "Lead-Free" or "Pb-Free" mean semiconductor products that are compatible with the current RoHS requirements for all 6 substances, including the requirement that lead not exceed 0.1% by weight in homogeneous materials. Where designed to be soldered at high temperatures, TI Pb-Free products are suitable for use in specified lead-free processes.

Pb-Free (RoHS Exempt): This component has a RoHS exemption for either 1) lead-based flip-chip solder bumps used between the die and package, or 2) lead-based die adhesive used between the die and leadframe. The component is otherwise considered Pb-Free (RoHS compatible) as defined above.

Green (RoHS & no Sb/Br): TI defines "Green" to mean Pb-Free (RoHS compatible), and free of Bromine (Br) and Antimony (Sb) based flame retardants (Br or Sb do not exceed 0.1% by weight in homogeneous material)

(3) MSL, Peak Temp. - The Moisture Sensitivity Level rating according to the JEDEC industry standard classifications, and peak solder temperature.

(4) There may be additional marking, which relates to the logo, the lot trace code information, or the environmental category on the device.

(5) Multiple Device Markings will be inside parentheses. Only one Device Marking contained in parentheses and separated by a "-" will appear on a device. If a line is indented then it is a continuation of the previous line and the two combined represent the entire Device Marking for that device.

(6) Lead/Ball Finish - Orderable Devices may have multiple material finish options. Finish options are separated by a vertical ruled line. Lead/Ball Finish values may wrap to two lines if the finish value exceeds the maximum column width.

Important Information and Disclaimer: The information provided on this page represents TI's knowledge and belief as of the date that it is provided. TI bases its knowledge and belief on information provided by third parties, and makes no representation or warranty as to the accuracy of such information. Efforts are underway to better integrate information from third parties. TI has taken and continues to take reasonable steps to provide representative and accurate information but may not have conducted destructive testing or chemical analysis on incoming materials and chemicals. TI and TI suppliers consider certain information to be proprietary, and thus CAS numbers and other limited information may not be available for release.

In no event shall TI's liability arising out of such information exceed the total purchase price of the TI part(s) at issue in this document sold by TI to Customer on an annual basis.



Distributor of Texas Instruments: Excellent Integrated System Limited

Datasheet of TPS76501QDRQ1 - IC REG LDO ADJ 0.15A 8SOIC

Contact us: sales@integrated-circuit.com Website: www.integrated-circuit.com

PACKAGE OPTION ADDENDUM



www.ti.com

6-Dec-2013

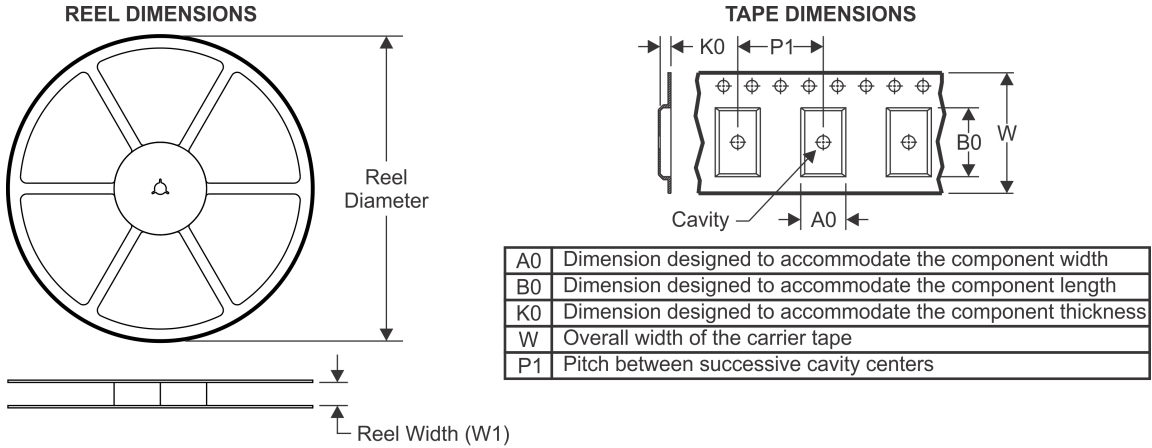
OTHER QUALIFIED VERSIONS OF TPS76501-Q1 :

- Catalog: [TPS76501](#)

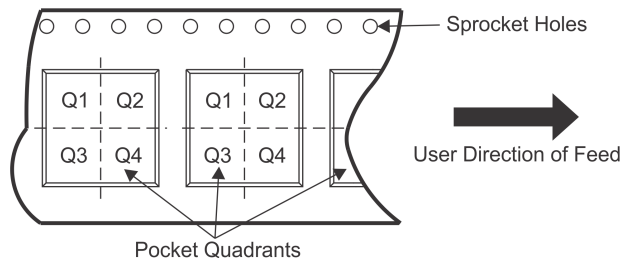
NOTE: Qualified Version Definitions:

- Catalog - TI's standard catalog product

TAPE AND REEL INFORMATION



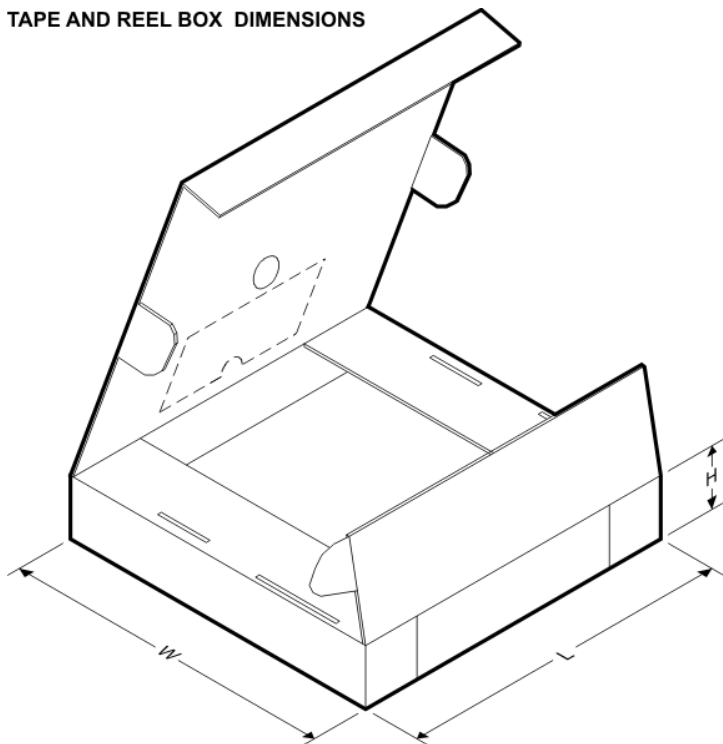
QUADRANT ASSIGNMENTS FOR PIN 1 ORIENTATION IN TAPE



*All dimensions are nominal

Device	Package Type	Package Drawing	Pins	SPQ	Reel Diameter (mm)	Reel Width W1 (mm)	A0 (mm)	B0 (mm)	K0 (mm)	P1 (mm)	W (mm)	Pin1 Quadrant
TPS76501QDRQ1	SOIC	D	8	2500	330.0	12.4	6.4	5.2	2.1	8.0	12.0	Q1

TAPE AND REEL BOX DIMENSIONS



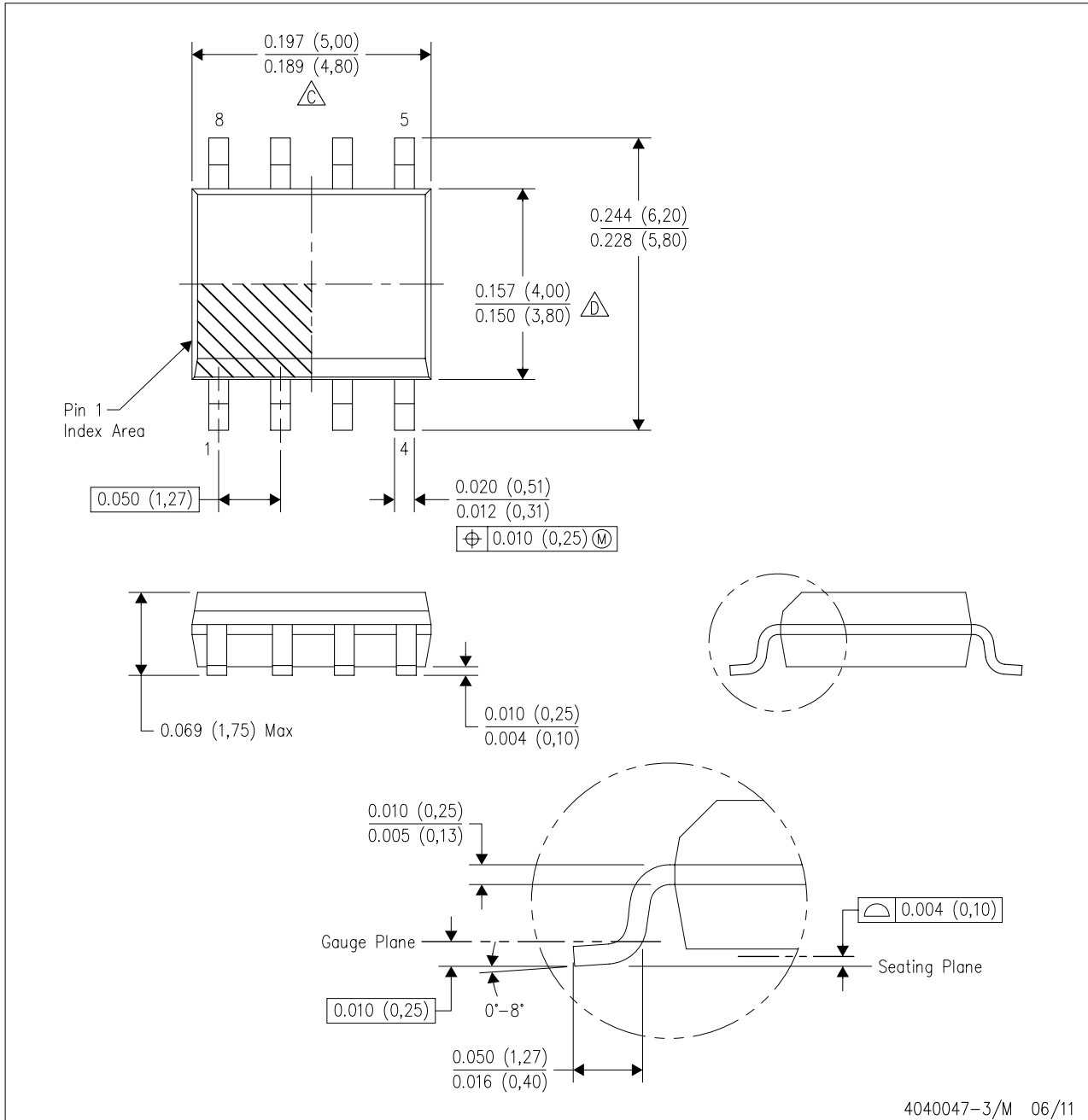
*All dimensions are nominal

Device	Package Type	Package Drawing	Pins	SPQ	Length (mm)	Width (mm)	Height (mm)
TPS76501QDRQ1	SOIC	D	8	2500	367.0	367.0	38.0

MECHANICAL DATA

D (R-PDSO-G8)

PLASTIC SMALL OUTLINE



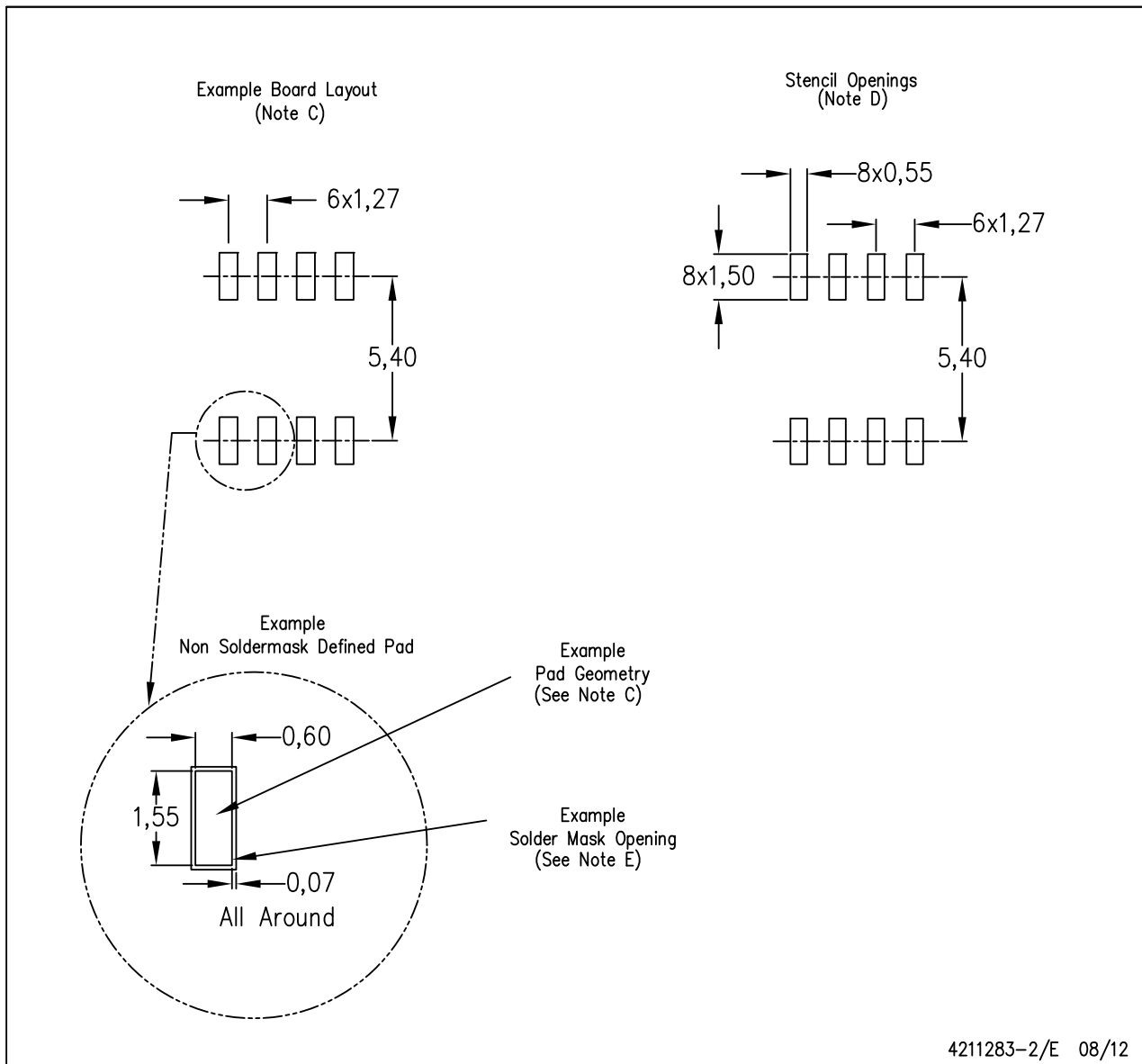
4040047-3/M 06/11

- NOTES:
- A. All linear dimensions are in inches (millimeters).
 - B. This drawing is subject to change without notice.
 - $\triangle C$ Body length does not include mold flash, protrusions, or gate burrs. Mold flash, protrusions, or gate burrs shall not exceed 0.006 (0,15) each side.
 - $\triangle D$ Body width does not include interlead flash. Interlead flash shall not exceed 0.017 (0,43) each side.
 - E. Reference JEDEC MS-012 variation AA.

LAND PATTERN DATA

D (R-PDSO-G8)

PLASTIC SMALL OUTLINE



- NOTES:
- All linear dimensions are in millimeters.
 - This drawing is subject to change without notice.
 - Publication IPC-7351 is recommended for alternate designs.
 - Laser cutting apertures with trapezoidal walls and also rounding corners will offer better paste release. Customers should contact their board assembly site for stencil design recommendations. Refer to IPC-7525 for other stencil recommendations.
 - Customers should contact their board fabrication site for solder mask tolerances between and around signal pads.

IMPORTANT NOTICE

Texas Instruments Incorporated and its subsidiaries (TI) reserve the right to make corrections, enhancements, improvements and other changes to its semiconductor products and services per JESD46, latest issue, and to discontinue any product or service per JESD48, latest issue. Buyers should obtain the latest relevant information before placing orders and should verify that such information is current and complete. All semiconductor products (also referred to herein as “components”) are sold subject to TI’s terms and conditions of sale supplied at the time of order acknowledgment.

TI warrants performance of its components to the specifications applicable at the time of sale, in accordance with the warranty in TI’s terms and conditions of sale of semiconductor products. Testing and other quality control techniques are used to the extent TI deems necessary to support this warranty. Except where mandated by applicable law, testing of all parameters of each component is not necessarily performed.

TI assumes no liability for applications assistance or the design of Buyers’ products. Buyers are responsible for their products and applications using TI components. To minimize the risks associated with Buyers’ products and applications, Buyers should provide adequate design and operating safeguards.

TI does not warrant or represent that any license, either express or implied, is granted under any patent right, copyright, mask work right, or other intellectual property right relating to any combination, machine, or process in which TI components or services are used. Information published by TI regarding third-party products or services does not constitute a license to use such products or services or a warranty or endorsement thereof. Use of such information may require a license from a third party under the patents or other intellectual property of the third party, or a license from TI under the patents or other intellectual property of TI.

Reproduction of significant portions of TI information in TI data books or data sheets is permissible only if reproduction is without alteration and is accompanied by all associated warranties, conditions, limitations, and notices. TI is not responsible or liable for such altered documentation. Information of third parties may be subject to additional restrictions.

Resale of TI components or services with statements different from or beyond the parameters stated by TI for that component or service voids all express and any implied warranties for the associated TI component or service and is an unfair and deceptive business practice. TI is not responsible or liable for any such statements.

Buyer acknowledges and agrees that it is solely responsible for compliance with all legal, regulatory and safety-related requirements concerning its products, and any use of TI components in its applications, notwithstanding any applications-related information or support that may be provided by TI. Buyer represents and agrees that it has all the necessary expertise to create and implement safeguards which anticipate dangerous consequences of failures, monitor failures and their consequences, lessen the likelihood of failures that might cause harm and take appropriate remedial actions. Buyer will fully indemnify TI and its representatives against any damages arising out of the use of any TI components in safety-critical applications.

In some cases, TI components may be promoted specifically to facilitate safety-related applications. With such components, TI’s goal is to help enable customers to design and create their own end-product solutions that meet applicable functional safety standards and requirements. Nonetheless, such components are subject to these terms.

No TI components are authorized for use in FDA Class III (or similar life-critical medical equipment) unless authorized officers of the parties have executed a special agreement specifically governing such use.

Only those TI components which TI has specifically designated as military grade or “enhanced plastic” are designed and intended for use in military/aerospace applications or environments. Buyer acknowledges and agrees that any military or aerospace use of TI components which have **not** been so designated is solely at the Buyer’s risk, and that Buyer is solely responsible for compliance with all legal and regulatory requirements in connection with such use.

TI has specifically designated certain components as meeting ISO/TS16949 requirements, mainly for automotive use. In any case of use of non-designated products, TI will not be responsible for any failure to meet ISO/TS16949.

Products

Audio	www.ti.com/audio
Amplifiers	amplifier.ti.com
Data Converters	dataconverter.ti.com
DLP® Products	www.dlp.com
DSP	dsp.ti.com
Clocks and Timers	www.ti.com/clocks
Interface	interface.ti.com
Logic	logic.ti.com
Power Mgmt	power.ti.com
Microcontrollers	microcontroller.ti.com
RFID	www.ti-rfid.com
OMAP Applications Processors	www.ti.com/omap
Wireless Connectivity	www.ti.com/wirelessconnectivity

Applications

Automotive and Transportation	www.ti.com/automotive
Communications and Telecom	www.ti.com/communications
Computers and Peripherals	www.ti.com/computers
Consumer Electronics	www.ti.com/consumer-apps
Energy and Lighting	www.ti.com/energy
Industrial	www.ti.com/industrial
Medical	www.ti.com/medical
Security	www.ti.com/security
Space, Avionics and Defense	www.ti.com/space-avionics-defense
Video and Imaging	www.ti.com/video

TI E2E Community

e2e.ti.com