



Distributor of TE Connectivity AMP Connectors: Excellent Integrated System Limited
Datasheet of 5786356-1 - D-Sub Connector Receptacle, Female Sockets 15 Position Through
Hole Solder

Contact us: sales@integrated-circuit.com Website: www.integrated-circuit.com

Excellent Integrated System Limited

Stocking Distributor

Click to view price, real time Inventory, Delivery & Lifecycle Information:

[TE Connectivity AMP Connectors](#)
[5786356-1](#)

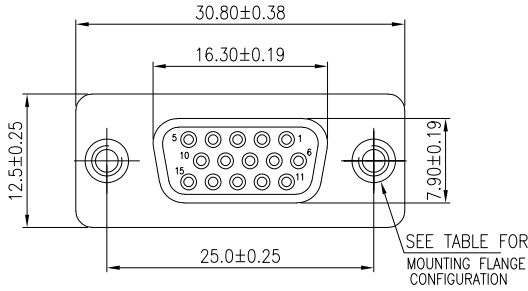
For any questions, you can email us directly:

sales@integrated-circuit.com

Contact us: sales@integrated-circuit.com Website: www.integrated-circuit.com

THIS DRAWING IS UNPUBLISHED. RELEASED FOR PUBLICATION. BY TICO ELECTRONICS CORPORATION. ALL RIGHTS RESERVED.

LOC	DRWT	REV	DESCRIPTION	DATE	OWN	APPD
GP	00			17JUN05	BM	SB



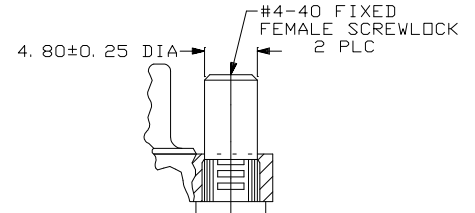
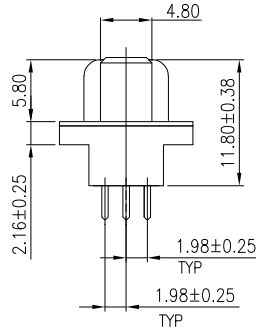
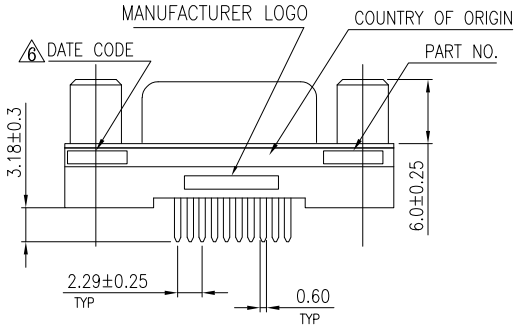
SEE TABLE FOR MOUNTING FLANGE CONFIGURATION

- HOUSING MATERIAL: PBT, GLASS FILLED, BLACK, UL 94V-0 RATED.
- CONTACT MATERIAL: PHOSPHOR BRONZE.
- CONTACT FINISH: GOLD PLATE IN MATING AREA (SEE TABLE), 120μ" MIN TIN PLATE ON SOLDER TAIL, BOTH OVER 50μ" MIN NICKEL UNDERPLATE.
- SHELL: STEEL, NICKEL PLATE.
- FEMALE SCREWLOCKS: BRASS, NICKEL PLATE.

△ FOUR DIGIT DATE CODE IN THIS FORMAT.

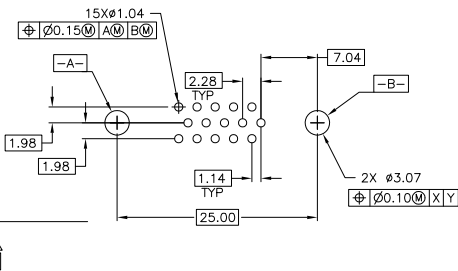
Year 01 45 Manufacturing Week

△ DATUMS [-X-] & [-Y-] TO BE ESTABLISHED BY CUSTOMER.



Detail A

Tray	Detail A	Gold flash	5786356-4
Tray	Detail A	15μ" MIN	5786356-3
Tray	Detail A	30μ" MIN	5786356-1
Packaging	Mounting Flange Configuration	CONTACT MATING AREA FINISH	PART NUMBER



THIS DRAWING IS A CONTROLLED DOCUMENT.		DR. MCMMASTER	22SEP05	Tico Electronics Corporation	
DIMENSIONS: mm		DR. S. BOLASH	22SEP05	Harrisburg, PA 17105-3608	
TOLERANCES UNLESS OTHERWISE SPECIFIED:		DR. M. WALMSLEY	22SEP05	AMPULITE HD-22	
0	PLC	±	0.30	15 POS RECEPTACLE, VERTICAL	
1	PLC	±	0.20	-	
2	PLC	±	0.10	-	
3	PLC	±	0.05	-	
4	PLC	±	0.02	-	
ANGLES		±	0.5	-	
FINISH		±	0.05	-	
MATERIAL		-	-	SIZE	A2
WEIGHT		-	-	DATE CODE	00779
CUSTOMER DRAWING		-	-	DRAWING NO	5786356
RESTRICTED TO		-	-	SCALE	1:1
SHEET		1	of 1	REV	