

Excellent Integrated System Limited

Stocking Distributor

Click to view price, real time Inventory, Delivery & Lifecycle Information:

[Eaton \(formerly Cooper Bussmann\)
4164-A](#)

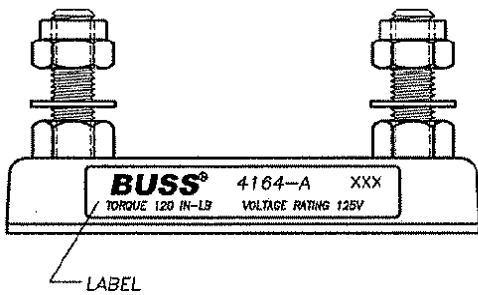
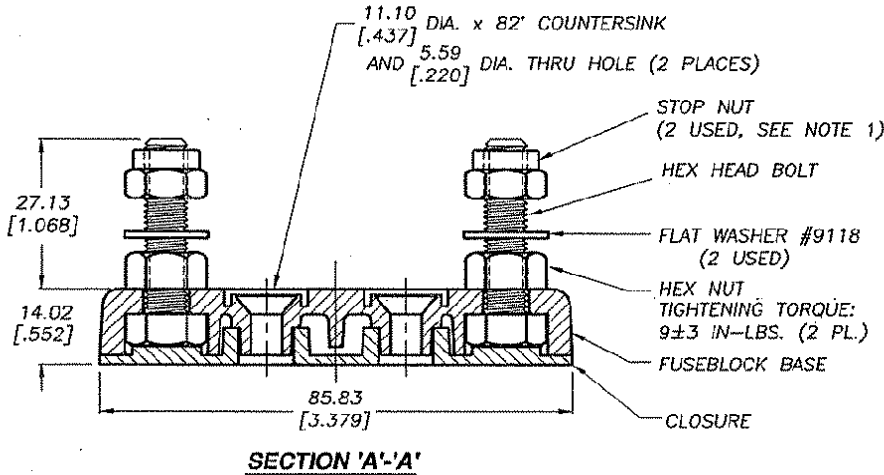
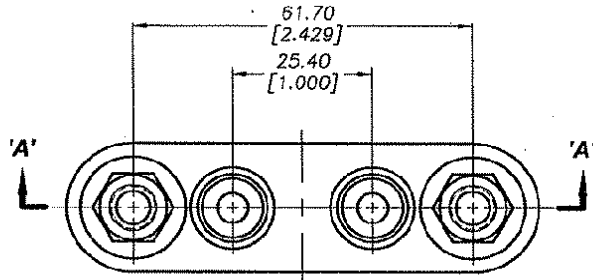
For any questions, you can email us directly:

sales@integrated-circuit.com



CONFIDENTIAL. THE INFORMATION CONTAINED IN THIS DOCUMENT IS THE PROPERTY OF COOPER INDUSTRIES, INC. IT IS NOT FOR PUBLIC DISCLOSURE. POSSESSION OF THE INFORMATION DOES NOT CONVEY ANY RIGHT TO LOAN, SELL OR DISCLOSE THE INFORMATION. UNAUTHORIZED REPRODUCTION OR USE OF THE INFORMATION IS PROHIBITED. THIS DOCUMENT IS TO BE RETURNED TO COOPER INDUSTRIES, INC. UPON COMPLETION OF THE PURPOSE FOR WHICH IT IS LOANED OR UPON REQUEST. COPYRIGHT Cooper Industries, Inc. This is an unpublished work. The disclosure of this work is limited to select personnel. Further dissemination or disclosure to the public is PROHIBITED. This unpublished work is protected by Federal Copyright law and all rights thereunder are reserved by Cooper Industries, Inc.	SCALE .75x	UNLESS OTHERWISE SPECIFIED TOLERANCES TO BE: METRIC ±.13mm INCHES ±.005" ANGULAR ±2°	DATE 3-1-05	NO. 4164-A
	INDICATES CRITICAL DIMENSION OR FEATURE 	THIRD ANGLE PROJECTION 	TITLE FUSEBLOCK	
INCHES (OR U.S. UNITS) IS THE PRIMARY UNIT OF MEASURE METRIC (mm) [INCHES]		SLP. NO. .	DATED .	
		DWG. BAM	CK. .	REV. ---
		J05054		
St. Louis, MO 63178				
C/F NO. 63643	DISTRIBUTION		56	J

FOR: ANL LIMITERS



DATE CODE

BUSS®	4164-A	XXX
TORQUE 120 IN-LB	VOLTAGE RATING 125V	

LABEL PRINTING
1.5X

