

## Excellent Integrated System Limited

Stocking Distributor

Click to view price, real time Inventory, Delivery & Lifecycle Information:

[Eaton \(formerly Cooper Bussmann\)  
4164-SM](#)

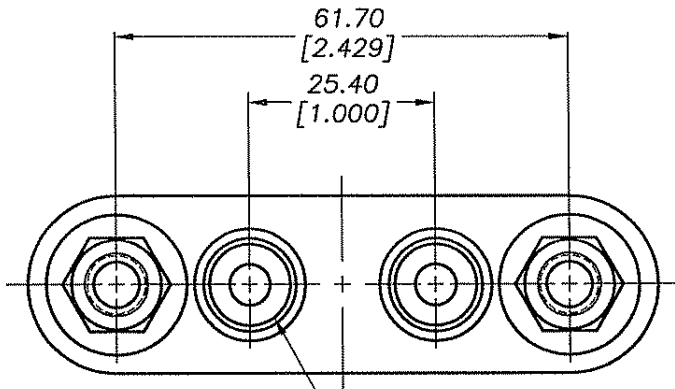
For any questions, you can email us directly:

[sales@integrated-circuit.com](mailto:sales@integrated-circuit.com)

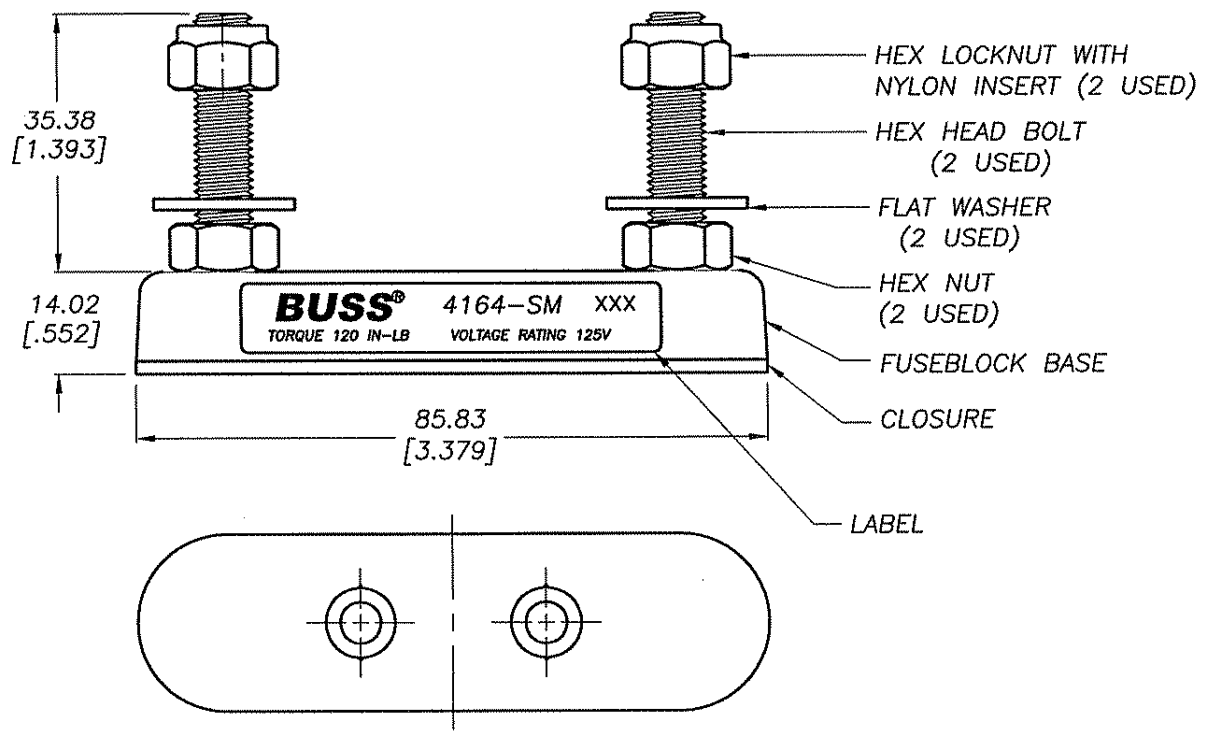
CONFIDENTIAL. THE INFORMATION CONTAINED IN THIS DOCUMENT IS THE PROPERTY OF COOPER INDUSTRIES, INC. IT IS NOT FOR PUBLIC DISCLOSURE. POSSESSION OF THE INFORMATION DOES NOT CONVEY ANY RIGHT TO LOAN, SELL OR DISCLOSE THE INFORMATION. UNAUTHORIZED REPRODUCTION OR USE OF THE INFORMATION IS PROHIBITED. THIS DOCUMENT IS TO BE RETURNED TO COOPER INDUSTRIES, INC. UPON COMPLETION OF THE PURPOSE FOR WHICH IT IS LOANED OR UPON REQUEST.

COPYRIGHT Cooper Industries, Inc.  
 This is an unpublished work. The disclosure of this work is limited to select personnel. Further dissemination or disclosure to the public is PROHIBITED. This unpublished work is protected by Federal Copyright law and all rights thereunder are reserved by Cooper Industries, Inc.

SCALE <b>1x</b>	UNLESS OTHERWISE SPECIFIED TOLERANCES TO BE: METRIC ±.13mm INCHES ±.005" ANGULAR ±2°	DATE 1-2-04	NO. 4164-SM
THIRD ANGLE PROJECTION 		TITLE <b>FUSEBLOCK</b>	
INDICATES CRITICAL DIMENSION OR FEATURE 		SUP. NO. 4164-SM	DATED 4-28-03
INCHES (OR U.S. UNITS) IS THE PRIMARY UNIT OF MEASURE		DWG. DAG	CK. C
METRIC(mm) [INCHES]		PAGE 1 OF 2	
		REV. C	
		N03069	
<b>COOPER Bussmann</b> St. Louis, MO 63178			
C/F NO. 55842	DISTRIBUTION	56 J	



11.10 [ .437 ] DIA. x 82° COUNTERSINK  
 AND 5.59 [ .220 ] DIA. THRU HOLE (2 PLACES)



NOTE: ALL HARDWARE IS METRIC, SIZE M8, ZINC PLATED STEEL.