



Distributor of Eaton (formerly Cooper Bussmann) : Excellent Integrated System Limited
Datasheet of NSE3-WH - Connector Barrier Block Strip 3 Circuit 1.060" (26.92mm)

Contact us: sales@integrated-circuit.com Website: www.integrated-circuit.com

Excellent Integrated System Limited

Stocking Distributor

Click to view price, real time Inventory, Delivery & Lifecycle Information:

[Eaton \(formerly Cooper Bussmann\)](#)
[NSE3-WH](#)

For any questions, you can email us directly:

sales@integrated-circuit.com

Rail & Base Mount Terminal Blocks

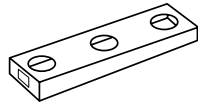
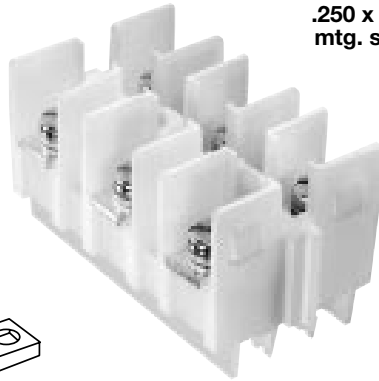
MAGNUM[®]
 GET CONNECTED WITH US

NSE3

Inches (Millimeters)

SPECIFICATIONS

Rating: 115A, 600V; UL/CSA
Center spacing: 1.06" (26.92)
Number of poles: 3
Circuits per foot: 11
Circuit jumper: JNSE3, 2 circuits
Wire size: For use with wire crimped to ring terminal.
Screw size: 1/4-28
Mounting options: C-rail, Base Mount
Marking tape: MT12-1/2
Operating temperature: 105°C



Optional LS3 Terminal Cover

