

Excellent Integrated System Limited

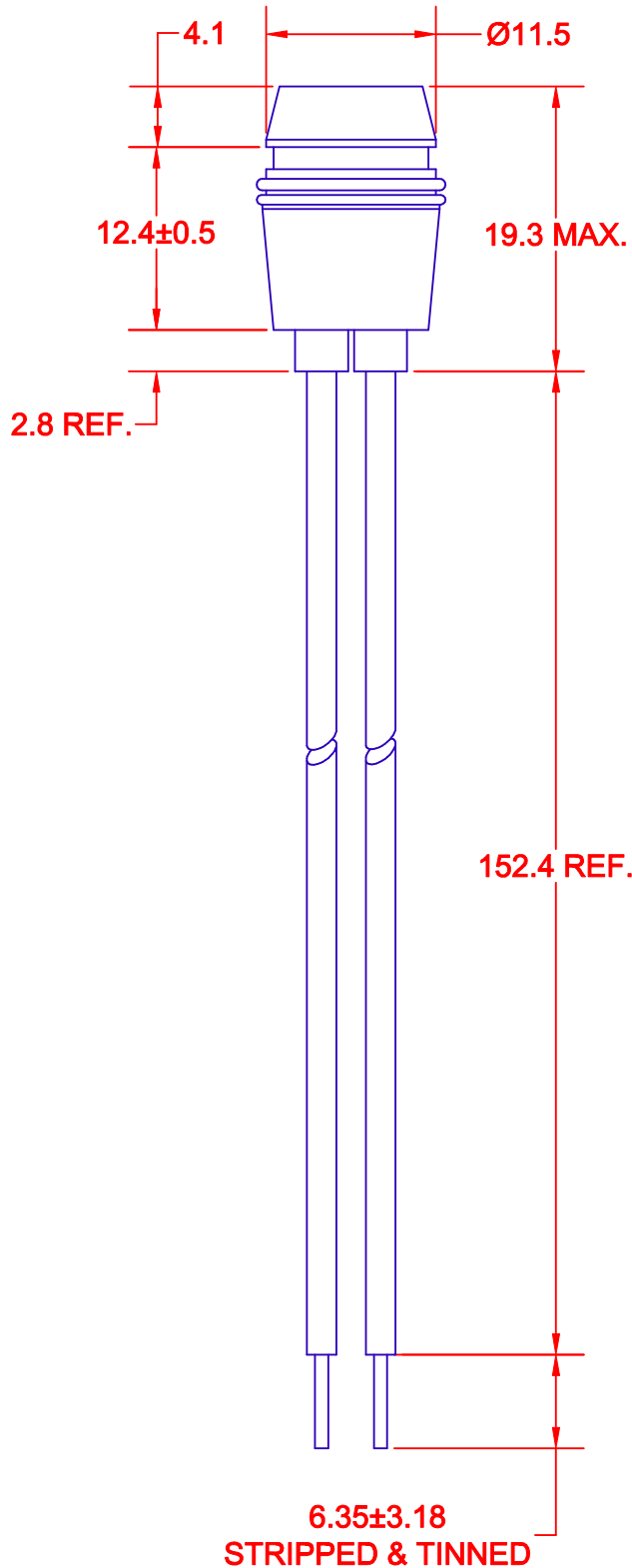
Stocking Distributor

Click to view price, real time Inventory, Delivery & Lifecycle Information:

[JKL Components Corporation](#)
[2948-6G](#)

For any questions, you can email us directly:

sales@integrated-circuit.com



JKL PART NO.: 2948-6G

SOCKET COLOR: BLACK
WIRE TYPE: 20AWG INSULATED
WIRE COLOR: GREEN

METRIC		DIMENSIONS ARE IN MILLIMETERS		JKL COMPONENTS CORPORATION			
THIRD ANGLE PROJECTION		TOLERANCE UNLESS OTHERWISE SPECIFIED					
		1 PL +/- 0.2		T-1 1/2 WEDGE BASE FLYING LEAD SOCKET			
		2 PL +/- 0.20		SIZE			
		ANGLE +/-		A			
DRAWN BY		APPV'D BY		FSCM NO.		DRAWING NO.	
L. WENGSTROM		J.K.		55335		SOCKET 2948-6G	
DATE		DATE		RELEASED DATE		REVISION DATE	
8/29/02		8/29/02		8/29/02			
- CAD DRAWING -				SCALE		REV. NO.	
MANUAL REVISIONS NOT PERMITTED				NONE		SHEET	
						1 of 1	

REV. NO.	DESCRIPTION/ECO NUMBER	APPV'D DATE
	RELEASED TO CAD	8/29/02