

## **Excellent Integrated System Limited**

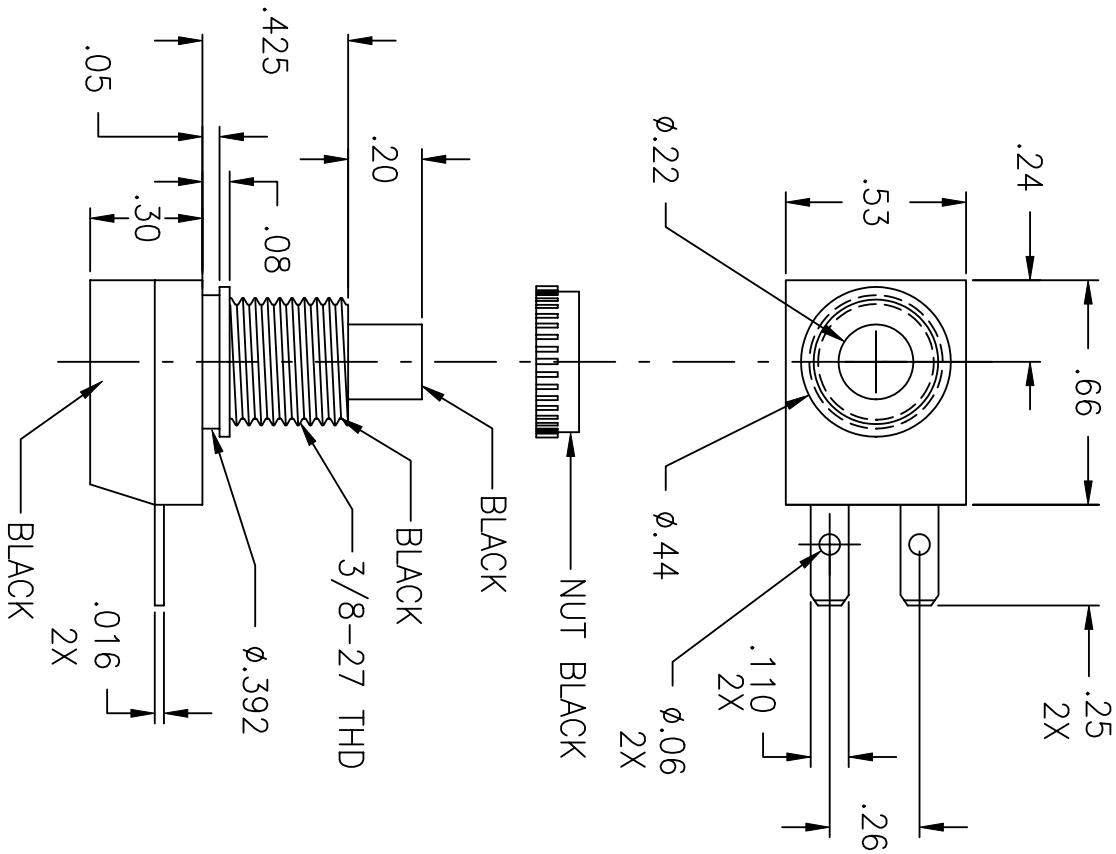
Stocking Distributor

Click to view price, real time Inventory, Delivery & Lifecycle Information:

[Judco Manufacturing, Inc.](#)  
[40-4675-00](#)

For any questions, you can email us directly:

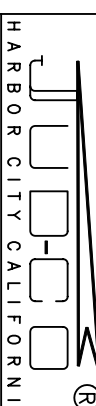
[sales@integrated-circuit.com](mailto:sales@integrated-circuit.com)



LTR	EN	DESCRIPTION	APPR	BY	DATE
A	-	INITIAL RELEASE	MT	DC	12-27-07

JUDCO INVENTORY NO. 40-4675-00  
 SWITCH TYPE: MOMENTARY, NORMALLY CLOSED  
 UL ELECTRICAL RATING: 14VDC, 10A  
 UL TEMPERATURE RATING: 55°C  
 NUT INCLUDED

CUSTOMER: DIGI-KEY  
 CUSTOMER PN: TBD  
 APPROVED BY: \_\_\_\_\_  
 DATE: \_\_\_\_\_

DIMENSIONS IN INCHES DIMENSIONS ARE REFERENCE		 <p>HARBOR CITY CALIFORNIA</p>
DRAWN: DC	12-27-07	
APPR: KJ	12-27-07	TITLE
ENG: IS	12-27-07	J-188A-1 ULDC W/BENT TRMS
1415U1271A.DWG		DWG. NO. 1415-1271
		SHEET 1 OF 1

This document embodies a product, component, and/or design proprietary to JUDCO MANUFACTURING INC., and which is protected either as a trade secret, by U.S. Patent, or by copyright. It may not be used in any way without written express consent of JUDCO MANUFACTURING INC.