

Excellent Integrated System Limited

Stocking Distributor

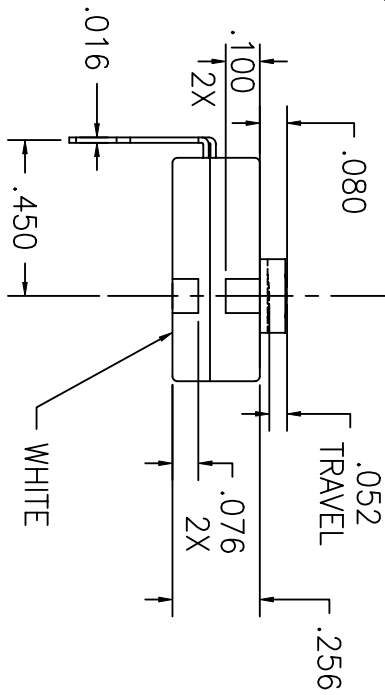
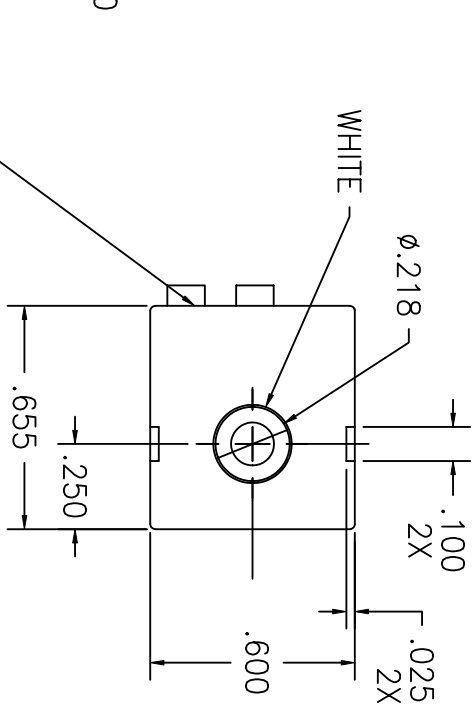
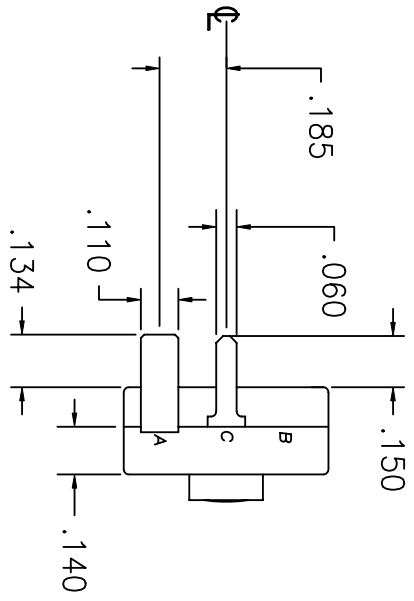
Click to view price, real time Inventory, Delivery & Lifecycle Information:

[Judco Manufacturing, Inc.](#)
[40-4681-00](#)

For any questions, you can email us directly:

sales@integrated-circuit.com

LTR	EN	DESCRIPTION	APPR	BY	DATE
A	-	INITIAL RELEASE	MT	DC	12-27-07



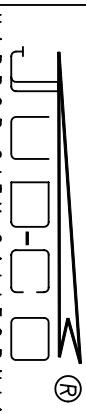
JUDCO INVENTORY NO. 40-4681-00
 SWITCH TYPE: MOMENTARY, NORMALLY OPEN

CUSTOMER: DIGI-KEY
 CUSTOMER PN: TBD

APPROVED BY: _____

DATE: _____

DIMENSIONS IN INCHES
 DIMENSIONS ARE REFERENCE



TITLE
 HARBOR CITY CALIFORNIA

DRAWN: DC 12-27-07

APPR: KJ 12-27-07

ENG: IS 12-27-07

1415U1277A.DWG

DWG. NO. 1415-1277

SHEET 1 OF 1

This document embodies a product, component, and/or design proprietary to JUDCO MANUFACTURING INC., and which is protected either as a trade secret, by U.S. Patent, or by copyright. It may not be used in any way without written express consent of JUDCO MANUFACTURING INC.