

Excellent Integrated System Limited

Stocking Distributor

Click to view price, real time Inventory, Delivery & Lifecycle Information:

[Kingbright](#)
[AAD1-9090SE9ZC/2-S](#)

For any questions, you can email us directly:

sales@integrated-circuit.com

Kingbright

XPower

PRELIMINARY SPEC

Part Number: AAD1-9090SE9ZC/2-S

Reddish-Orange

Features

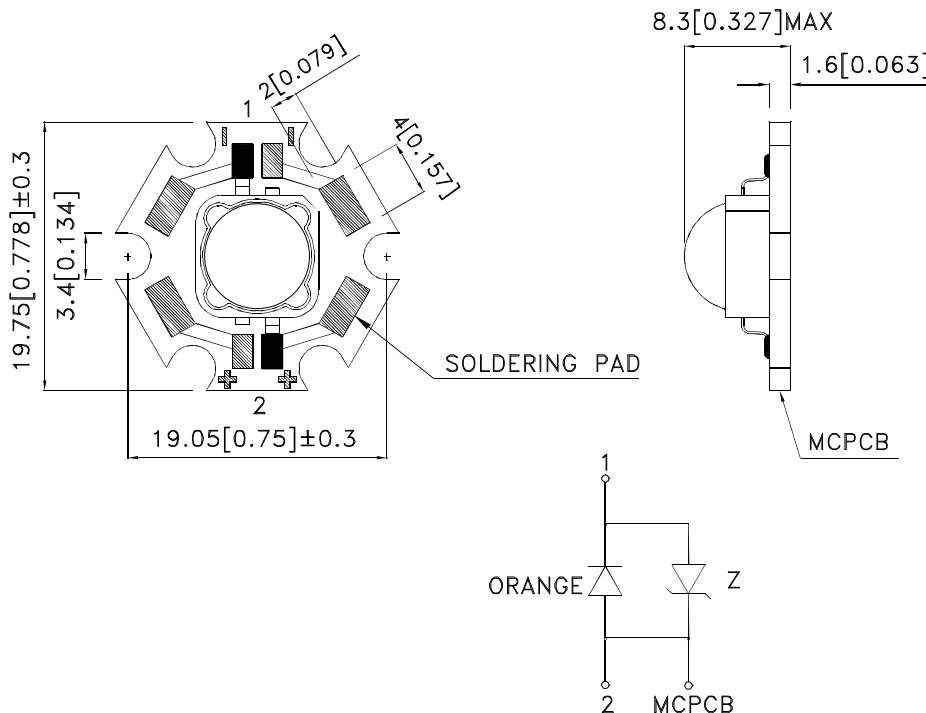
- SUPER HIGH FLUX OUTPUT AND HIGH LUMINANCE.
- DESIGNED FOR HIGH CURRENT OPERATION.
- LOW THERMAL RESISTANCE.
- LOW VOLTAGE DC OPERATED.
- SUPERIOR ESD PROTECTION.
- NOT REFLOW COMPATIBLE.
- THE COMPONENT IS INTERNALLY PROTECTED WITH SILICONE GEL.
- RoHS COMPLIANT.



Applications

- traffic signaling.
- backlighting (illuminated advertising , general lighting).
- interior and exterior automotive lighting.
- substitution of micro incandescent lamps.
- portable light source (e.g. bicycle flashlight).
- signal and symbol luminaire for orientation.
- marker lights (e.g. steps, exit ways, etc).
- decorative and entertainment lighting.
- indoor and outdoor commercial and residential architectural lighting.

Package Dimensions



Notes:

1. All dimensions are in millimeters (inches).
2. Tolerance is $\pm 0.25(0.01)$ unless otherwise noted.
3. Specifications are subject to change without notice.



Kingbright

Selection Guide

Part No.	Dice	Lens Type	luminous Intensity [2] Iv (cd)@ 500mA		Φv (lm) [2] @ 500mA		Viewing Angle [1]
			Min.	Typ.	Min.	Typ.	2θ1/2
AAAD1-9090SE9ZC/2-S	REDDISH-ORANGE (AlGaInP)	WATER CLEAR	12	17	35	42	100°

Notes:

1. θ1/2 is the angle from optical centerline where the luminous intensity is 1/2 the optical centerline value.
2. Luminous intensity / luminous flux: +/-15%.

Absolute Maximum Ratings at TA=25°C

Parameter	Symbol	Value	Unit
Power dissipation	Pt	1.62	W
Junction temperature	TJ	110	°C
Operating Temperature	Top	-40 To +100	°C
Storage Temperature	Tstg	-40 To +100	°C
DC Forward Current [1]	IF	500	mA
Peak Forward Current [2]	IFM	700	mA
Thermal resistance [1]	Rth j-slug	12	°C/W
Electrostatic Discharge Threshold (HBM)		8000	V

Notes:

1. Metal Core PCB is mounted on the heat Fins.
2. 1/10 Duty Cycle, 0.1ms Pulse Width.

Electrical / Optical Characteristics at TA=25°C

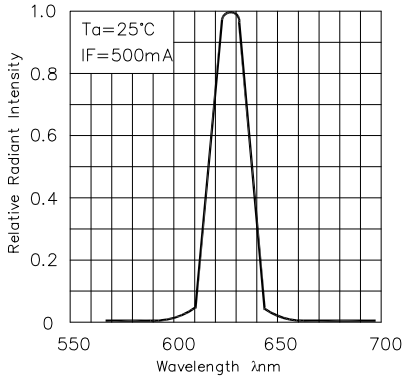
Parameter	Symbol	Value	Unit
Wavelength at peak emission IF=500mA [Typ.]	λpeak	628	nm
Dominant Wavelength IF=500mA [Typ.]	λ dom [1]	623	nm
Spectral bandwidth at 50%ΦREL MAX IF=500mA [Typ.]	Δλ	22	nm
Forward Voltage IF=500mA [Min.]	VF [2]	2.4	V
Forward Voltage IF=500mA [Typ.]		3.0	
Forward Voltage IF=500mA [Max.]		3.6	
Temperature coefficient of λpeak IF=500mA, -10°C ≤ T ≤ 100°C [Typ.]	TCλpeak	0.08	nm/°C
Temperature coefficient of λdom IF=500mA, -10°C ≤ T ≤ 100°C [Typ.]	TCλdom	0.03	nm/°C
Temperature coefficient of VF IF=500mA, -10°C ≤ T ≤ 100°C [Typ.]	TCv	-2.8	mV/°C

Notes:

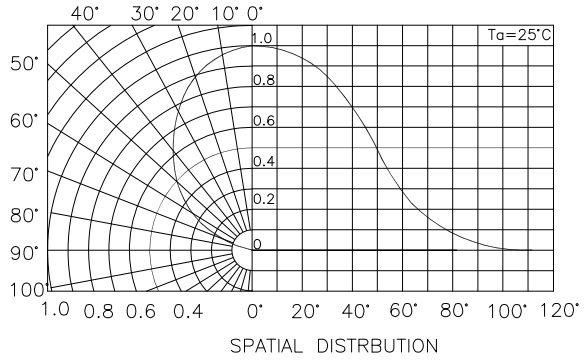
1. Wavelength: +/-1nm.
2. Forward Voltage: +/-0.1V.

Kingbright

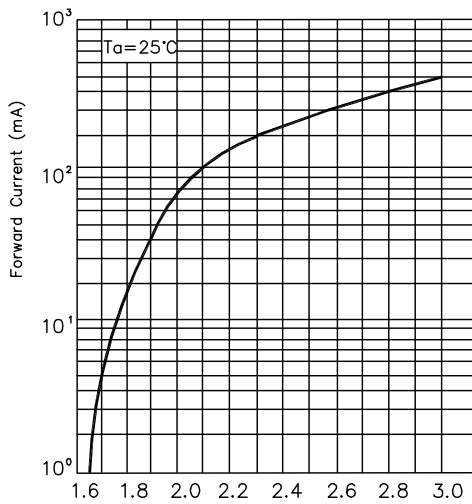
AAD1-9090SE9ZC/2-S



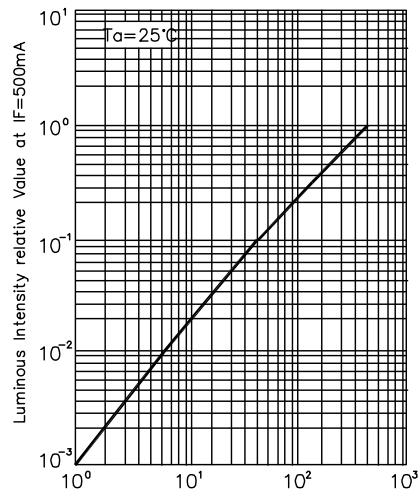
RELATIVE INTENSITY Vs. WAVELENGTH



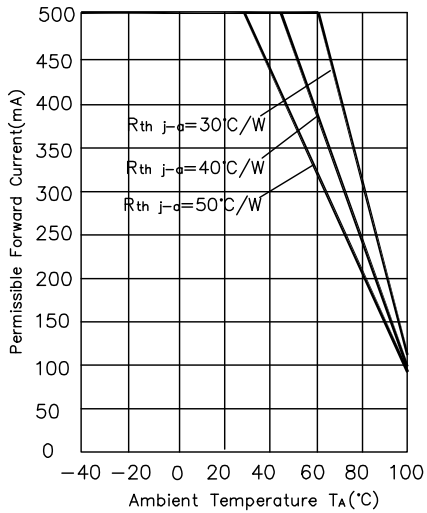
SPATIAL DISTRIBUTION



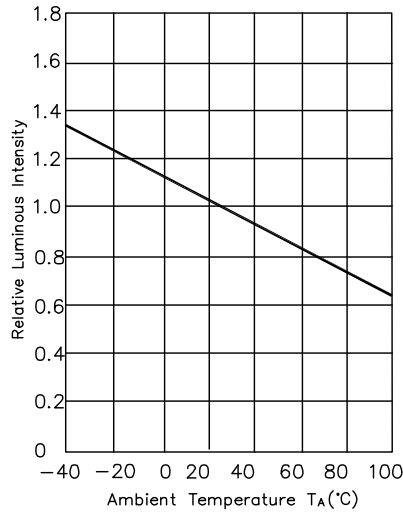
FORWARD CURRENT Vs. FORWARD VOLTAGE



LUMINOUS INTENSITY Vs. FORWARD CURRENT



FORWARD CURRENT DERATING CURVE

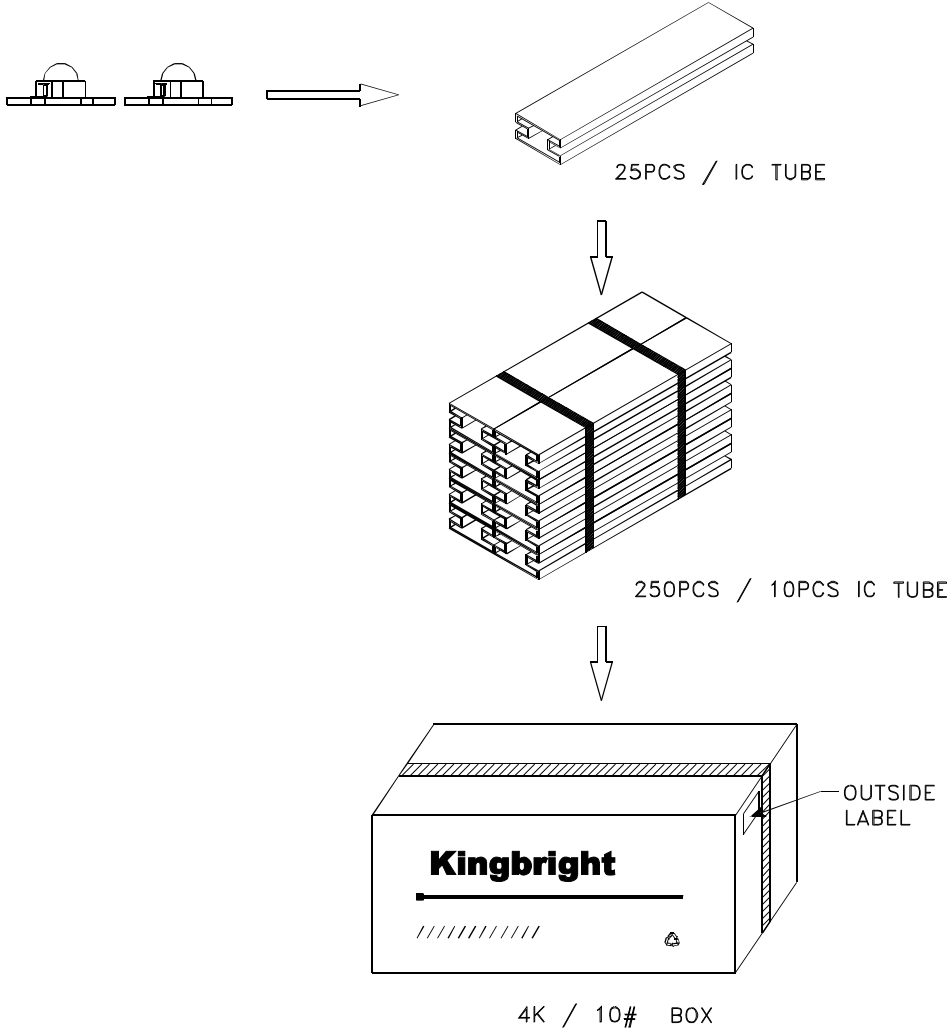



FORWARD CURRENT DERATING CURVE

Kingbright

PACKING & LABEL SPECIFICATIONS

AAD1-9090SE9ZC/2-S



<h1>Kingbright</h1>				
P/NO: AAD1-9090XXX-STAR				
QTY: 250 pcs	Q.C. <table border="1"><tr><td>Q C</td></tr><tr><td>XX XX XXXX</td></tr><tr><td>PASSED</td></tr></table>	Q C	XX XX XXXX	PASSED
Q C				
XX XX XXXX				
PASSED				
S/N: XXXX				
CODE: XXX				
LOT NO:				
 XXXXXXXXXXXXXXXXXXXX				
RoHS Compliant				