

## **Excellent Integrated System Limited**

Stocking Distributor

Click to view price, real time Inventory, Delivery & Lifecycle Information:

[TE Connectivity AMP Connectors](#)  
[1-1337505-0](#)

For any questions, you can email us directly:  
[sales@integrated-circuit.com](mailto:sales@integrated-circuit.com)

4

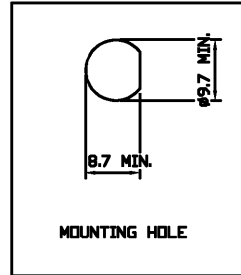
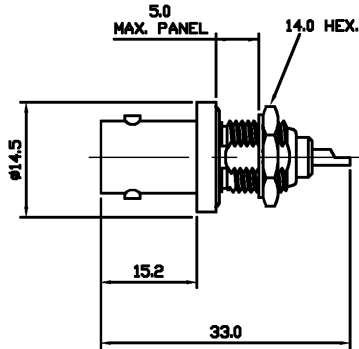
3

2

1

THIS DRAWING IS UNPUBLISHED. RELEASED FOR PUBLICATION 7-9-00 .- .  
 © COPYRIGHT 2000 BY TYCO ELECTRONICS CORPORATION. ALL RIGHTS RESERVED.

LOC	DIST	REVISIONS			
P	LTR	DESCRIPTION	DATE	DWN	APVD
B		EB00 - 0304 - 01	27-9-01	RG	FWK



△ SUPPLIED SEMI-ASSEMBLED (PACK CONTAINS LOOSE PIECES)  
 VIEW SHOWS ASSEMBLED CONNECTOR

ALL DIMENSIONS ARE NOMINAL. FOR REFERENCE ONLY.

DIE SET PART NUMBER	N/A
HANDTOOL PART NUMBER	N/A
FOR USE ON CABLES	N/A
CONNECTOR PLATING DETAIL	SILVER
CONTACT PLATING DETAIL	SILVER
DIELECTRIC MATERIAL	TEFLON
GASKET MATERIAL	WHITE SILICONE RUBBER

THIS DRAWING IS A CONTROLLED DOCUMENT.	
DIMENSIONS: MM	TOLERANCES UNLESS OTHERWISE SPECIFIED:
	0 PLC ±
	1 PLC ±
	2 PLC ±
	3 PLC ±
	4. PLC ±
	ANGLES ±
MATERIAL	FINISH
-	-

DWN	07-SEP-00
R. SMITH	
CHK	07-SEP-00
R. GOODALL	
APVD	07-SEP-00
R. GOODALL	
PRODUCT SPEC	108-3435
APPLICATION SPEC	-
WEIGHT	-
CUSTOMER DRAWING	

BAG	SINGLE ITEM	1-1337505-0
PACK TYPE	DESCRIPTION	PART NUMBER
	BNC BULKHEAD SOCKET 50 Ohm	
SIZE	CAGE CODE	DRAWING NO
A3	00779	C-1337505
RESTRICTED TO	SCALE	SHEET
-	NTS	1 OF 1
		REV B