

## **Excellent Integrated System Limited**

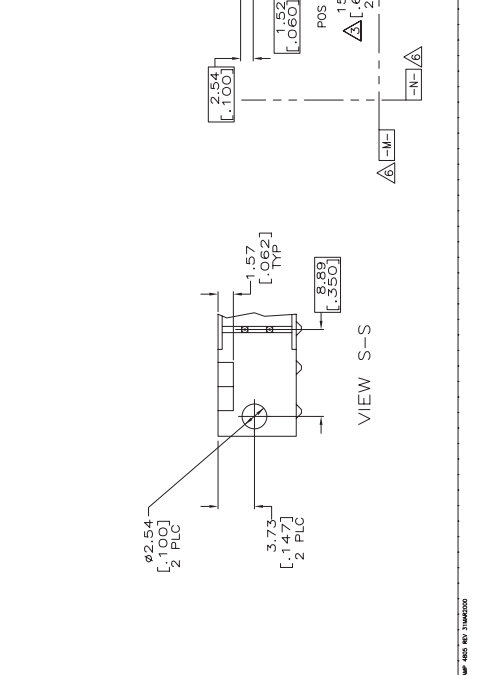
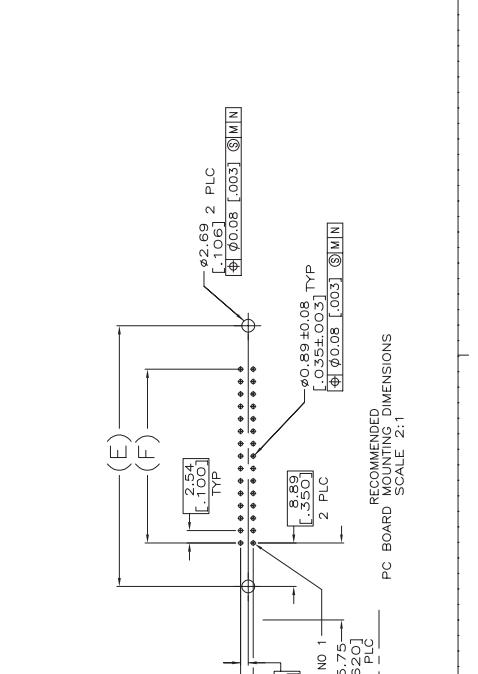
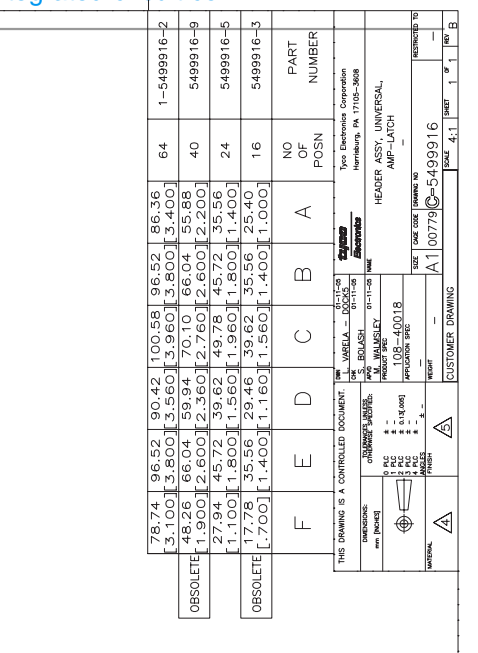
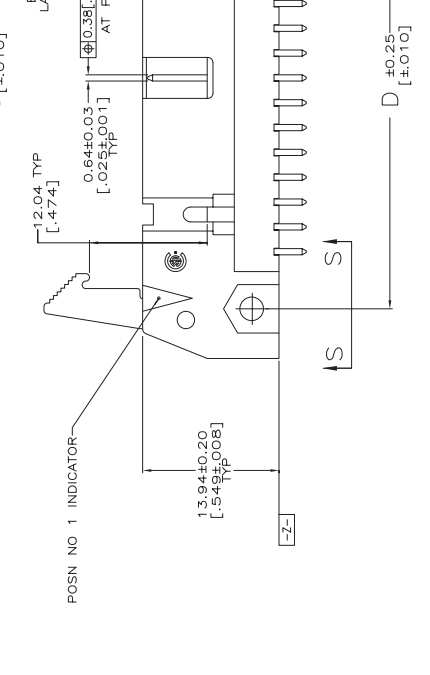
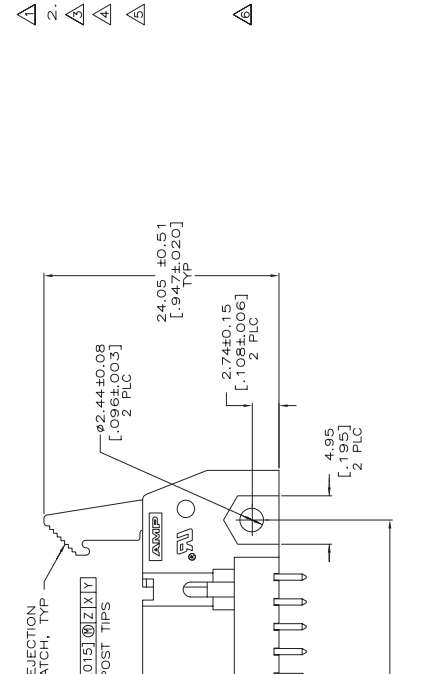
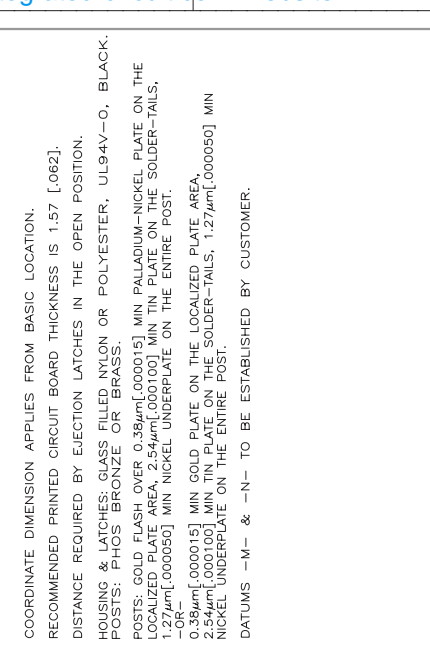
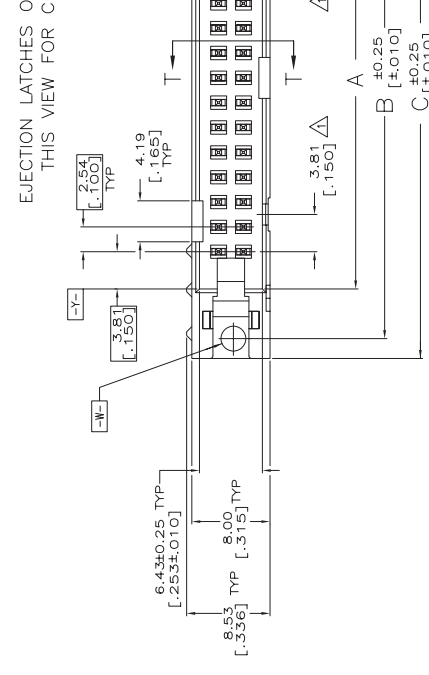
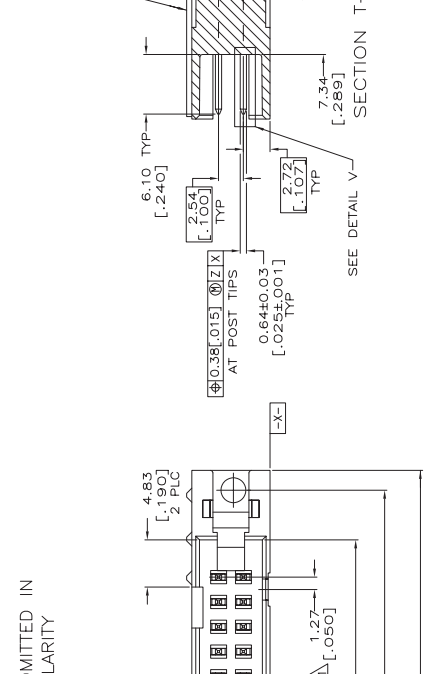
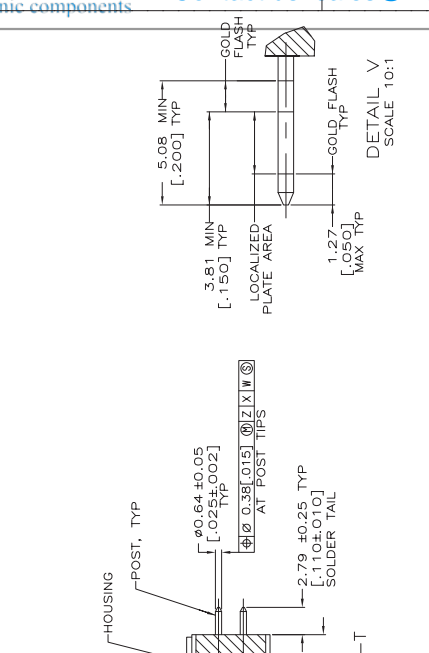
Stocking Distributor

Click to view price, real time Inventory, Delivery & Lifecycle Information:

[TE Connectivity AMP Connectors](#)  
[1-5499916-2](#)

For any questions, you can email us directly:  
[sales@integrated-circuit.com](mailto:sales@integrated-circuit.com)

REV	DATE	DESCRIPTION
1	17/JAN/07	ZMR/SLE
2	REVISED PER ECO-06-023957	



F	E	D	C	B	A	NO OF POSN	PART NUMBER
78.74	96.52	90.42	100.58	96.52	86.36	64	1-5499916-2
3.100	3.800	3.560	3.960	3.800	3.400		
48.26	66.04	59.94	70.10	66.04	55.88	40	5499916-9
1.900	2.600	2.360	2.760	2.600	2.200		
27.94	45.72	39.62	49.78	45.72	35.56	24	5499916-5
1.100	1.800	1.560	1.960	1.800	1.400		
17.78	35.56	29.46	39.62	35.56	25.40	16	5499916-3
1.700	1.400	1.160	1.560	1.400	1.000		

THIS DRAWING IS A CONTROLLED DOCUMENT. DATE: 06/15/06 BY: JAVELA - 002765 DRAWN BY: JAVELA - 011136 CHECKED BY: JAVELA - 011136 APPROVED BY: JAVELA - 011136

REVISIONS: 1. JAVELA - 011136 2. JAVELA - 011136

DESIGN: JAVELA - 011136  
 DRAWING: JAVELA - 011136  
 CHECKED: JAVELA - 011136  
 APPROVED: JAVELA - 011136

PC BOARD MOUNTING DIMENSIONS SCALE: 2:1

RECOMMENDED MOUNTING DIMENSIONS SCALE: 2:1

REVISIONS BY: JAVELA - 011136

DATE: 06/15/06

FIG. NO: 100779

REV: 1