



## **Excellent Integrated System Limited**

Stocking Distributor

Click to view price, real time Inventory, Delivery & Lifecycle Information:

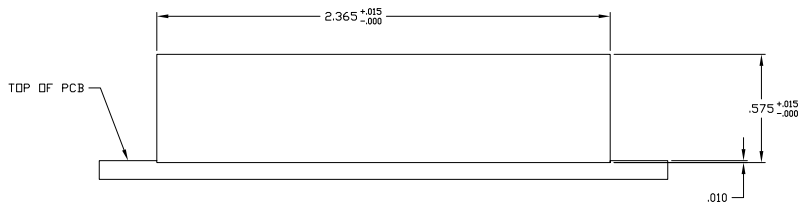
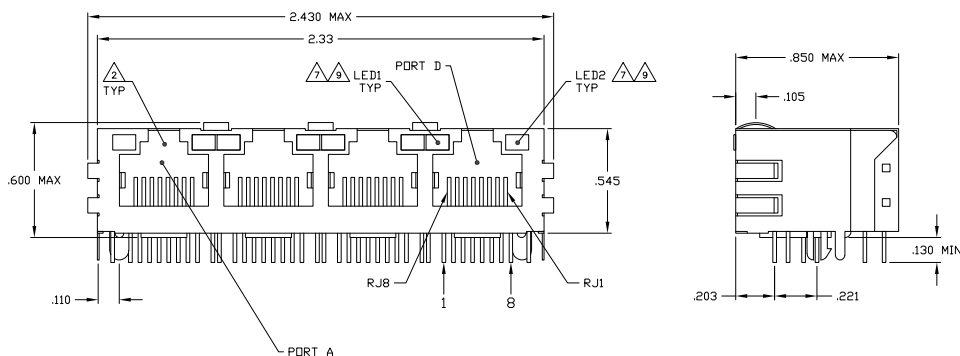
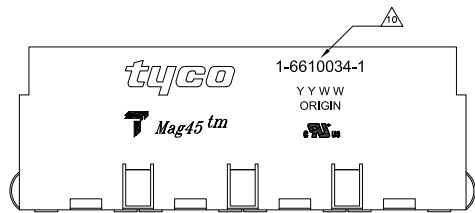
[TE Connectivity AMP Connectors](#)  
[1-6610034-1](#)

For any questions, you can email us directly:

[sales@integrated-circuit.com](mailto:sales@integrated-circuit.com)

REV	DATE	BY	CHK	APP
AA	22			

MECHANICAL:



1X4 SUGGESTED PANEL CUTOUT

- MATERIALS:**
- HOUSING - THERMOPLASTIC PET POLYESTER FLAMMABILITY RATING UL 94V-0.
  - SHIELD - .010" THICK, C26800 BRASS PREPLATED WITH 30μINCH MIN SEMI-BRIGHT NICKEL.
  - SOLDER TABS POST DIPPED WITH 100μINCH MIN SAC SOLDER.
  - MOD JACK CONTACTS - 0.0157" X 0.018" PHOSPHOR BRONZE, 50μINCH MIN OVERALL NICKEL UNDERPLATE WITH SELECT 50μINCH MIN HARD GOLD FINISH PLATE. SOLDER TAILS WITH 100μINCH MIN MATTE TIN AND/OR SAC SOLDER DIP.
  - LIGHT EMITTING DIODE(LED) - DIFFUSED EPOXY LENS, .020" X .020" CARBON STEEL WIREFRAME LEADS PRE-PLATED WITH 80μINCH SILVER OVER 40μINCH NICKEL UNDERPLATE OVER 40μINCH COPPER UNDERPLATE. POST-PLATED WITH 100μINCH MIN MATTE TIN AND/OR SAC SOLDER DIP OR PURE TIN SOLDER DIP.

△ RJ45 JACK CAVITY CONFORMS TO FCC RULES AND REGULATIONS PART 68, SUB PART F.

**MAGNETICS**

- IMPEDANCE: 100 OHMS
- TURNS RATIO (CHIP CABLE): TX = 11, RX = 11
- OPEN CIRCUIT INDUCTANCE (OCL): 350nH MIN @100kHz, 0.1VRMS, 8mA DC BIAS FROM 0°C TO 70°C, TX AND RX
- PERFORMANCE @ 25°C
- INSERTION LOSS (IL): 1.1dB MAX FROM 0.5MHz TO 100MHz
- RETURN LOSS (RL): 18dB MIN FROM 0.5MHz TO 30MHz
- 18-20LOG(f/30)dB MIN FROM 30.1MHz TO 60MHz
- 12dB MIN FROM 60.1MHz TO 80MHz
- CROSSTALK ATTENUATION: 35dB MIN FROM 0.5MHz TO 4.0MHz
- 33-20LOG(f/50)dB MIN FROM 4.0MHz TO 100MHz
- COMMON MODE REJECTION RATIO (CMRR): 30dB MIN FROM 0.5MHz TO 100MHz
- ISOLATION VOLTAGE: COMPLIES WITH IEEE802.3 2002, PARA 23.5.1.1, ITEM a or b.

△ C1 IS AN OPTIONAL 1000 pF, 2KV DECOUPLING CAPACITOR. IF NO CAPACITOR, TRACE IS CONTINUOUS. SEE TABLE FOR PRESENCE OF CAPACITOR IN DIFFERENT CONFIGURATIONS.

5. OPERATING TEMPERATURE: FROM 0° TO +70°C.

△ R1-R4 = 75 OHMS, 1/16 W, 5% RESISTORS.

△ LED COMPLIANT WITH IEC60825-1 SAFETY OF LASER PRODUCTS. WHEN OPERATED UP TO 20 mA. THE 250 OHM RESISTORS ARE INCLUDED ON 6605704-1 ONLY.

△ INDICATED CONNECTIONS ARE FOR HUB CONFIGURATION. THE MAGNETICS ARE SYMMETRICAL AND SUPPORT AUTO-MDIX/MDIX.

△ LED PEAK WAVELENGTH: GREEN(λ) = 565nm  
YELLOW(λ) = 585nm

△ TRADEMARK, PART NUMBER, DATE CODE, COUNTRY OF ORIGIN AND AGENCY APPROVAL MARKING IN APPROXIMATE LOCATION SHOWN.

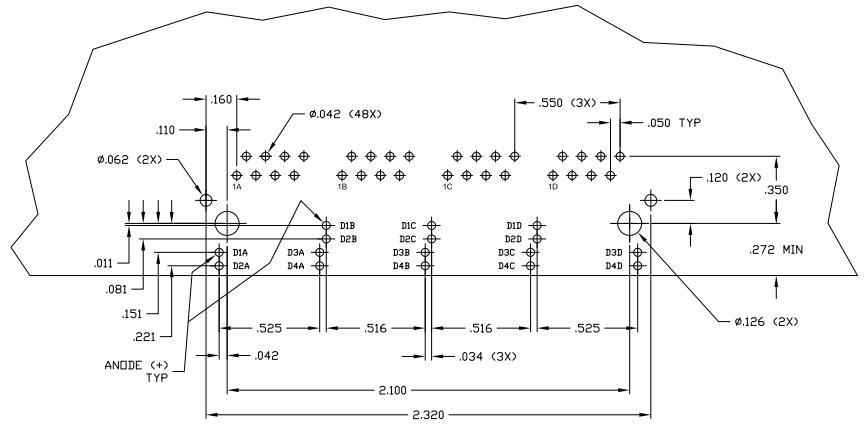
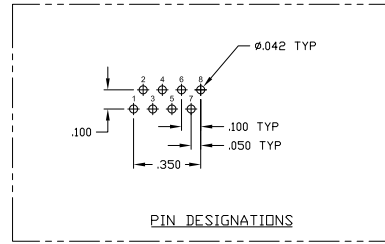
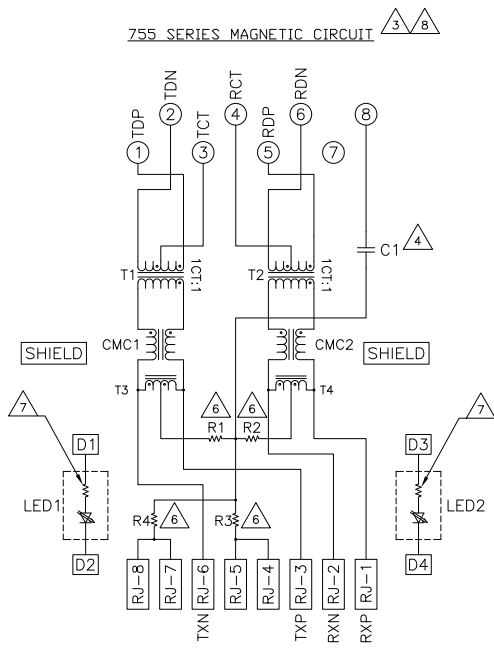
YES	GREEN	YELLOW	5-6610034-1
NO	GREEN	GREEN	1-6610034-1

THIS DRAWING IS A CONTROLLED DOCUMENT		REV	DATE	BY	CHK	APP	DESCRIPTION
REV	DATE	BY	CHK	APP	DESCRIPTION		
1	108-2100					1X4 MAG45(TM) MODULAR JACK, 7HZ SCHEMATIC, 75Ω SERIES CIRCUIT, SHIELDED, OPTIONAL DECOUPLING CAPACITOR, RESISTOR, LEDS	
1	00779					CUSTOMER DRAWING	

THIS DRAWING IS UNAPPROVED FOR REVISIONS IN THE ELECTRONIC COMPONENTS DIVISION OF THE ELECTRONIC INDUSTRIES CORPORATION. ALL RIGHTS RESERVED.

REV	DATE	DESCRIPTION	BY	CHK	APP
AA	22	SEE SHEET 1			

755 SERIES MAGNETIC CIRCUIT



SUGGESTED PCB LAYOUT  
(Component Side)

THIS DRAWING IS A CONTROLLED DOCUMENT		REV	DATE	DESCRIPTION	BY	CHK	APP
REV	DATE	DESCRIPTION	BY	CHK	APP		
AA	22	SEE SHEET 1					
CUSTOMER DRAWING		REV	DATE	DESCRIPTION	BY	CHK	APP
REV	DATE	DESCRIPTION	BY	CHK	APP		
AA	22	SEE SHEET 1					