



Distributor of Texas Instruments: Excellent Integrated System Limited

Datasheet of SN74AVCA406EZQSR - IC VOLT TRANSL SD MMC 24BGA

Contact us: sales@integrated-circuit.com Website: www.integrated-circuit.com

Excellent Integrated System Limited

Stocking Distributor

Click to view price, real time Inventory, Delivery & Lifecycle Information:

[Texas Instruments](#)
[SN74AVCA406EZQSR](#)

For any questions, you can email us directly:

sales@integrated-circuit.com

MMC AND SD CARD VOLTAGE-TRANSLATION TRANSCEIVER

FEATURES

- Transceiver for Memory Card Interface [MultiMediaCard (MMC) and Secure Digital (SD) Compliant Products]
- Configurable I/O Switching Levels With Dual-Supply Pins Operating Over Full 1.2-V to 3.6-V Power-Supply Range
- Latch-Up Performance Exceeds 100 mA Per JESD 78, Class II
- ESD Protection
 - ±8-kV Contact Discharge
 - ±15-kV Air-Gap Discharge
- EMI Filtering
- Integrated Pullup and Pulldown Resistors on Card-Side I/Os per SD Specification
- ZQS Package Has 100-kΩ Pullup Resistors Via WP and CD Pins

DESCRIPTION/ORDERING INFORMATION

The SN74AVCA406E is a transceiver for interfacing microprocessors with MultiMediaCards (MMCs) and secure digital (SD) cards.

Two supply-voltage pins allow the A-port and B-port input switching thresholds to be configured separately. The A port is designed to track V_{CCA} , while the B port is designed to track V_{CCB} . V_{CCA} and V_{CCB} can accept any supply voltage from 1.2 V to 3.6 V.

If either V_{CC} is switched off ($V_{CCA} = 0$ V and/or $V_{CCB} = 0$ V), all outputs are placed in the high-impedance state to conserve power.

The SN74AVCA406E enables system designers to easily interface low-voltage microprocessors to different memory cards operating at higher voltages.

Memory card standards recommend high ESD protection for devices that connect directly to the external memory card. To meet this need, the SN74AVCA406E incorporates ±15-kV Air-Gap Discharge and ±8-kV Contact Discharge protection on the card side.

The SN74AVCA406E is available in two 0.5-mm-pitch ball grid array (BGA) packages. The 20-ball package has dimensions of 3 mm × 2.5 mm, and the 24-ball package measures 3 mm × 3 mm. Memory cards are widely used in mobile phones, PDAs, digital cameras, personal media players, camcorders, set-top boxes, etc. Low static power consumption and small package size make the SN74AVCA406E an ideal choice for these applications.

ORDERING INFORMATION

T_A	PACKAGE ⁽¹⁾⁽²⁾		ORDERABLE PART NUMBER	TOP-SIDE MARKING
–40°C to 85°C	UFBGA – ZXY (Pb-Free)	Reel of 2500	SN74AVCA406EZXYR	WM406E
	MicroStar Junior™ BGA – ZQS (Pb-Free)	Reel of 2500	SN74AVCA406EZQSR	WM406E

(1) Package drawings, thermal data, and symbolization are available at www.ti.com/packaging.

(2) For the most current package and ordering information, see the Package Option Addendum at the end of this document, or see the TI website at www.ti.com.



Please be aware that an important notice concerning availability, standard warranty, and use in critical applications of Texas Instruments semiconductor products and disclaimers thereto appears at the end of this data sheet.

MicroStar Junior is a trademark of Texas Instruments.

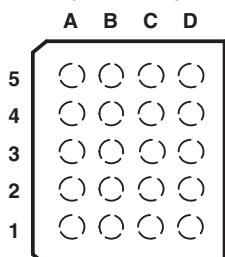
SN74AVCA406E



SCES659E—OCTOBER 2007—REVISED JUNE 2009

www.ti.com

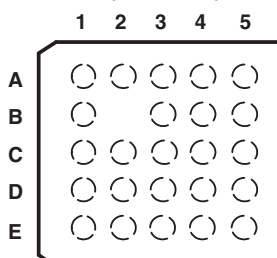
**ZXY PACKAGE
(TOP VIEW)**



**TERMINAL ASSIGNMENTS
(20-Ball ZXY Package)**

	A	B	C	D
5	V _{CCA}	CMD-dir	DAT0-dir	V _{CCB}
4	DAT3A	DAT2A	DAT2B	DAT3B
3	CLKA	GND	GND	CLKB
2	DAT1A	DAT0A	CMDB	DAT0B
1	CLK-f	CMDA	DAT123-dir	DAT1B

**ZQS PACKAGE
(TOP VIEW)**



**TERMINAL ASSIGNMENTS
(24-Ball ZQS Package)**

	1	2	3	4	5
A	DAT2A	CMD-dir	DAT0-dir	RSV	DAT2B
B	DAT3A		V _{CCA}	V _{CCB}	DAT3B
C	CLKA	RSV	GND	GND	CLKB
D	DAT0A	CMDA	CD	CMDB	DAT0B
E	DAT1A	CLK-f	DAT123-dir	WP	DAT1B

REFERENCE DESIGN

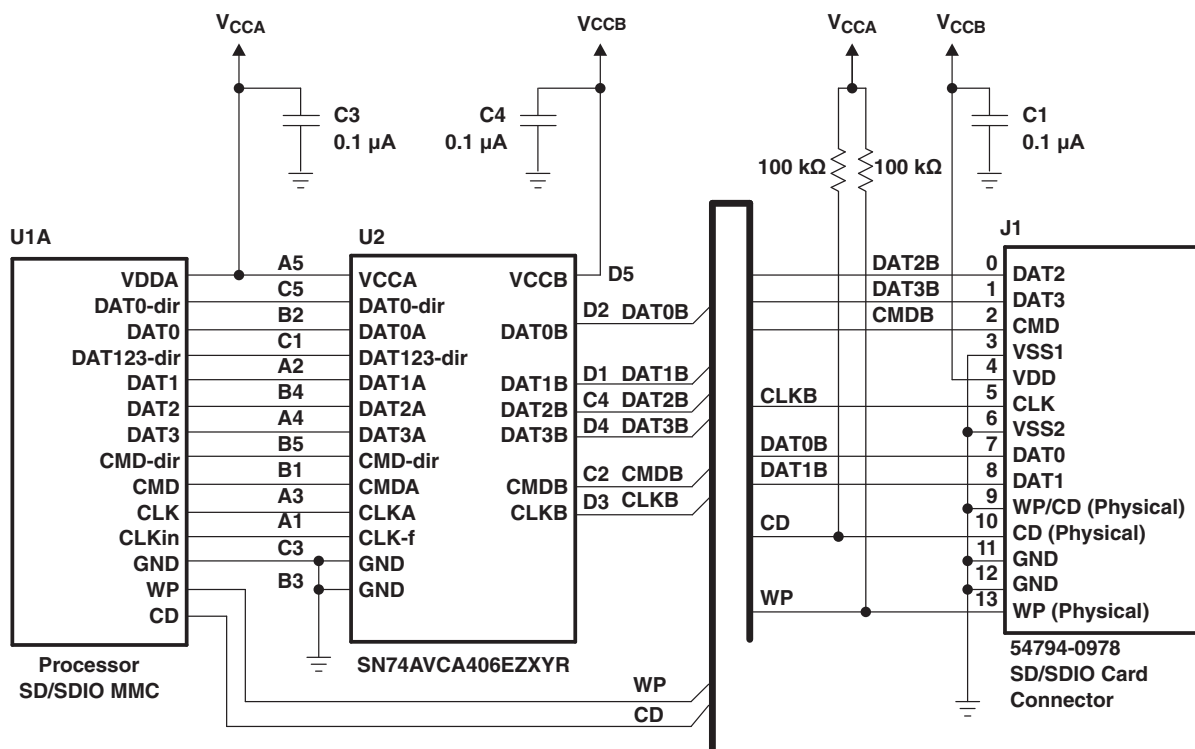


Figure 1. Interfacing With SD/SDIO Card

PIN DESCRIPTION

ZQS BALL NO.	ZXY BALL NO.	NAME	FUNCTION	TYPE
A1	B4	DAT2A	Data bit 3 connected to host. Referenced to V_{CCA} .	I/O
A2	B5	CMD-dir	Direction control for command bit (CMDA/CMDB)	Input
A3	C5	DAT0-dir	Direction control for DAT0A/DAT0B	Input
A4, C2	–	RSV	Reserved (for possible future functionality). Leave unconnected.	
A5	C5	DAT2B	Data bit 3 connected to memory card. Includes a 70-k Ω pullup resistor to V_{CCB} .	I/O
B1	A4	DAT3A	Data bit 4 connected to host. Referenced to V_{CCA} .	I/O
B2	–	–	Depopulated ball	
B3	A5	V_{CCA}	A-port supply voltage. V_{CCA} powers all A-port I/Os and control inputs.	Power
B4	D5	V_{CCB}	B-port supply voltage. V_{CCB} powers all B-port I/Os.	Power
B5	D4	DAT3B	Data bit 4 connected to memory card. Includes a 470-k Ω pulldown resistor to V_{CCB} .	I/O
C1	A3	CLKA	Clock signal connected to host. Referenced to V_{CCA} .	Input
C3	B3	GND	Ground	
C4	C3	GND	Ground	
C5	D3	CLKB	Clock signal connected to memory card. Referenced to V_{CCB} .	Output
D1	B2	DAT0A	Data bit 1 connected to host. Referenced to V_{CCA} .	I/O
D2	B1	CMDA	Command bit connected to host. Referenced to V_{CCA} .	I/O
D3	–	CD	Connected to card detect on the mechanical connector. CD has an internal 100-k Ω pullup resistor to V_{CCA} and this pin has ± 10 -kV Air-Gap Discharge and ± 8 -kV Contact Discharge ESD protection.	Output
D4	C2	CMDB	Command bit connected to memory card. Includes a 15-k Ω pullup resistor to V_{CCB} .	I/O
D5	D2	DAT0B	Data bit 1 connected to memory card. Includes a 70-k Ω pullup resistor to V_{CCB} .	I/O
E1	A2	DAT1A	Data bit 2 connected to host. Referenced to V_{CCA} .	I/O
E2	A1	CLK-f	Clock feedback to host for resynchronizing data. Used in OMAP processors. Leave unconnected if not used.	Output
E3	C1	DAT123-dir	Direction control for DAT1A/B, DAT2A/B, and DAT3A/B	Input
E4	–	WP	Connected to write protect on the mechanical connector. WP has an internal 100-k Ω pullup resistor to V_{CCA} and this pin has ± 10 -kV Air-Gap Discharge and ± 8 -kV Contact Discharge ESD protection.	Output
E5	D1	DAT1B	Data bit 2 connected to memory card. Includes a 70-k Ω pullup resistor to V_{CCB} .	I/O

SN74AVCA406E

SCES659E –OCTOBER 2007 –REVISED JUNE 2009

www.ti.com

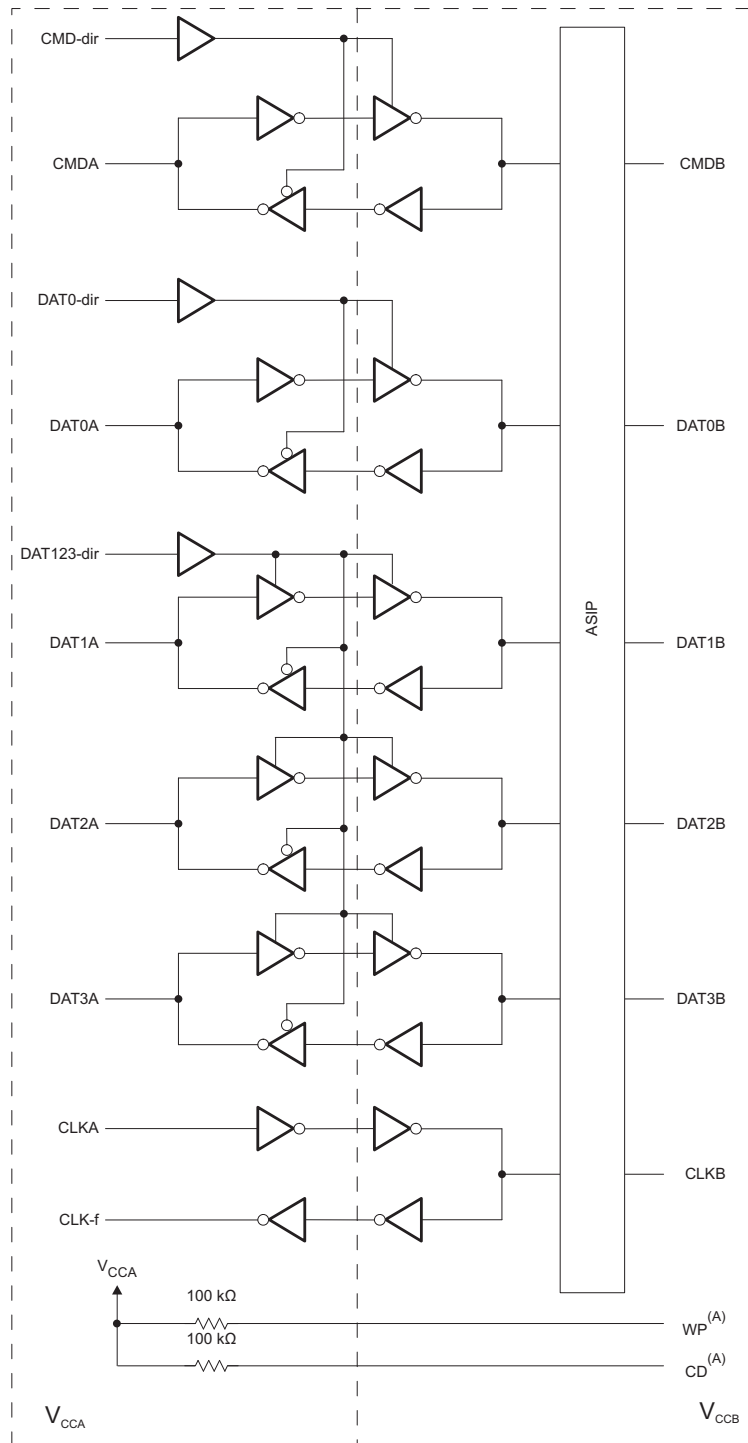
FUNCTION TABLES

CONTROL INPUT CMD-dir	OUTPUT CIRCUITS		OPERATION
	CMDA	CMDB	
High	Hi-Z	Enabled	CMDA to CMDB
Low	Enabled	Hi-Z	CMDB to CMDA

CONTROL INPUT DAT0-dir	OUTPUT CIRCUITS		FUNCTION
	DAT0A	DAT0B	
High	Hi-Z	Enabled	DAT0A to DAT0B
Low	Enabled	Hi-Z	DAT0B to DAT0A

CONTROL INPUT DAT123-dir	OUTPUT CIRCUITS		FUNCTION
	DAT1A, DAT2A, DAT3A	DAT1B, DAT2B, DAT3B	
High	Hi-Z	Enabled	DAT1A to DAT1B
			DAT2A to DAT2B
			DAT3A to DAT3B
Low	Enabled	Hi-Z	DAT1B to DAT1A
			DAT2B to DAT2A
			DAT3B to DAT3A

LOGIC DIAGRAM (POSITIVE LOGIC)



A. WP and CD pullup resistors are for the ZQS package only.

Figure 2. Logic Diagram

BLOCK DIAGRAM

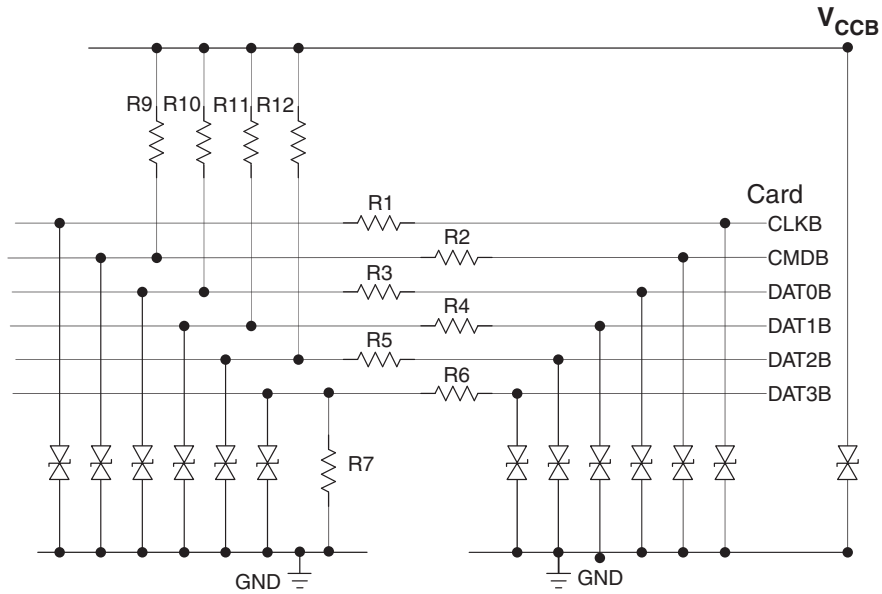
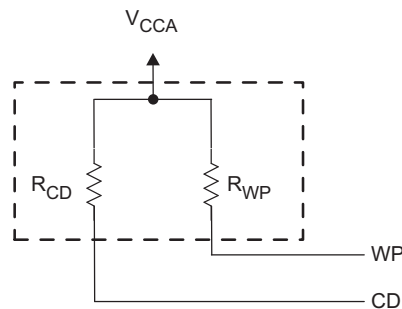


Figure 3. ASIP Block Diagram

RESISTORS		BIDIRECTIONAL ZENER DIODES	
R1, R2, R3, R4, R5, R6	40 Ω	Vbr min.	14 V at 1 mA
		Line capacitance	<20 pF
Tolerance	$\pm 20\%$		
R10, R11, R12	70 k Ω		
R9	15 k Ω		
R7	470 k Ω		
Tolerance	$\pm 30\%$		



Resistors	
R_{WP} , R_{CD}	100 k Ω
Tolerance	$\pm 30\%$

Figure 4. WP, CD Pullup Resistors (for ZQS Package Only)

ABSOLUTE MAXIMUM RATINGS⁽¹⁾

over operating free-air temperature range (unless otherwise noted)

		MIN	MAX	UNIT	
V_{CCA} V_{CCB}	Supply voltage range	-0.5	4.6	V	
V_I	Input voltage range ⁽²⁾	I/O ports (A port)	-0.5	4.6	V
		I/O ports (B port)	-0.5	4.6	
		Control inputs	-0.5	4.6	
V_O	Voltage range applied to any output in the high-impedance or power-off state ⁽²⁾	A port	-0.5	4.6	V
		B port	-0.5	4.6	
V_O	Voltage range applied to any output in the high or low state ⁽²⁾⁽³⁾	A port	-0.5	$V_{CCA} + 0.5$	V
		B port	-0.5	$V_{CCB} + 0.5$	
I_{IK}	Input clamp current	$V_I < 0$	-50	mA	
I_{OK}	Output clamp current	$V_O < 0$	-50	mA	
I_O	Continuous output current		±50	mA	
	Continuous current through V_{CCA} , V_{CCB} , or GND		±100	mA	
T_{stg}	Storage temperature range	-65	150	°C	

- (1) Stresses beyond those listed under "absolute maximum ratings" may cause permanent damage to the device. These are stress ratings only, and functional operation of the device at these or any other conditions beyond those indicated under "recommended operating conditions" is not implied. Exposure to absolute-maximum-rated conditions for extended periods may affect device reliability.
- (2) The input voltage and output negative-voltage ratings may be exceeded if the input and output current ratings are observed.
- (3) The output positive-voltage rating may be exceeded up to 4.6 V maximum if the output current rating is observed.

PACKAGE THERMAL IMPEDANCE

			UNIT
θ_{JA}	Package thermal impedance ⁽¹⁾	ZQS package	171.6
		ZXY package	193

- (1) The package thermal impedance is calculated in accordance with JESD 51-7.

SN74AVCA406E

SCES659E—OCTOBER 2007—REVISED JUNE 2009

www.ti.com
RECOMMENDED OPERATING CONDITIONS⁽¹⁾⁽²⁾⁽³⁾

			V _{CCI}	V _{CCO}	MIN	MAX	UNIT
V _{CCA}	Supply voltage				1.2	3.6	V
V _{CCB}	Supply voltage				1.2	3.6	V
V _{IH}	High-level input voltage	All inputs ⁽⁴⁾	1.2 V to 1.95 V		V _{CCI} × 0.65		V
			1.95 V to 2.7 V		1.7		
			2.7 V to 3.6 V		2		
V _{IL}	Low-level input voltage	All inputs ⁽⁴⁾	1.2 V to 1.95 V		V _{CCI} × 0.35		V
			1.95 V to 2.7 V		0.7		
			2.7 V to 3.6 V		0.8		
V _I	Input voltage	Control inputs			0	3.6	V
V _{I/O}	Input/output voltage	Active state			0	V _{CCO}	V
		3-state			0	3.6	
I _{OH}	High-level output current (A port)		1.2 V		-1		mA
			1.4 V to 1.6 V		-1		
			1.65 V to 1.95 V		-2		
			2.3 V to 2.7 V		-4		
			3 V to 3.6 V		-8		
I _{OL}	Low-level output current (A port)		1.2 V		1		mA
			1.4 V to 1.6 V		1		
			1.65 V to 1.95 V		2		
			2.3 V to 2.7 V		4		
			3 V to 3.6 V		8		
I _{OH}	High-level output current (B port)		1.2 V		-1		mA
			1.4 V to 1.6 V		-2		
			1.65 V to 1.95 V		-4		
			2.3 V to 2.7 V		-8		
			3 V to 3.6 V		-16		
I _{OL}	Low-level output current (B port)		1.2 V		1		mA
			1.4 V to 1.6 V		2		
			1.65 V to 1.95 V		4		
			2.3 V to 2.7 V		8		
			3 V to 3.6 V		16		
Δt/Δv	Input transition rise or fall rate					5	ns/V
T _A	Operating free-air temperature				-40	85	°C

 (1) V_{CCI} is the V_{CC} associated with the input port.

 (2) V_{CCO} is the V_{CC} associated with the output port.

 (3) All unused data inputs of the device must be held at V_{CCI} or GND to ensure proper device operation. Refer to the TI application report, *Implications of Slow or Floating CMOS Inputs*, literature number SCBA004.

 (4) CMD-dir, DAT0-dir, and DAT123-dir are referenced to V_{CCA}.

ELECTRICAL CHARACTERISTICS

 over recommended operating free-air temperature range (unless otherwise noted)⁽¹⁾⁽²⁾

PARAMETER		TEST CONDITIONS		V _{CCA}	V _{CCB}	MIN	TYP ⁽³⁾	MAX	UNIT
V _{OH}	A port	I _{OH} = -100 μA	V _I = V _{IH}	1.2 V to 3.6 V	1.2 V to 3.6 V	V _{CCO} - 0.2		V	
		I _{OH} = -1 mA		1.2 V	1.2 V	0.9			
		I _{OH} = -1 mA		1.4 V	1.4 V	1.05			
		I _{OH} = -2 mA		1.65 V	1.65 V	1.2			
		I _{OH} = -4 mA		2.3 V	2.3 V	1.75			
		I _{OH} = -8 mA		3 V	3 V	2.3			
V _{OL}	A port	I _{OL} = 100 μA	V _I = V _{IL}	1.2 V to 3.6 V	1.2 V to 3.6 V	0.2		V	
		I _{OL} = 1 mA		1.2 V	1.2 V	0.1			
		I _{OL} = 1 mA		1.4 V	1.4 V	0.35			
		I _{OL} = 2 mA		1.65 V	1.65 V	0.45			
		I _{OL} = 4 mA		2.3 V	2.3 V	0.55			
		I _{OL} = 8 mA		3 V	3 V	0.7			
V _{OH}	B port	I _{OH} = -100 μA	V _I = V _{IH}	1.2 V to 3.6 V	1.2 V to 3.6 V	V _{CCO} - 0.2		V	
		I _{OH} = -1 mA		1.2 V	1.2 V	1.1			
		I _{OH} = -2 mA		1.4 V	1.4 V	1.05			
		I _{OH} = -4 mA		1.65 V	1.65 V	1.2			
		I _{OH} = -8 mA		2.3 V	2.3 V	1.75			
		I _{OH} = -16 mA		3 V	3 V	2.1			
V _{OL}	B port	I _{OL} = 100 μA	V _I = V _{IL}	1.2 V to 3.6 V	1.2 V to 3.6 V	0.2		V	
		I _{OL} = 1 mA		1.2 V	1.2 V	0.07			
		I _{OL} = 2 mA		1.4 V	1.4 V	0.35			
		I _{OL} = 4 mA		1.65 V	1.65 V	0.45			
		I _{OL} = 8 mA		2.3 V	2.3 V	0.55			
		I _{OL} = 16 mA		3 V	3 V	0.79			
I _I	Control inputs	V _I = V _{CCA} or GND		1.2 V to 3.6 V	1.2 V to 3.6 V	±1		μA	
I _{OZ} ⁽⁴⁾	A or B port	V _O = V _{CCO} or GND, V _I = V _{CCI} or GND	See function table for input states when outputs are Hi Z	3.6 V	3.6 V	±5		μA	
I _{CCA}	V _I = V _{CCI} or GND, I _O = 0		1.2 V to 3.6 V	1.2 V to 3.6 V	10		μA		
			3.6 V	0 V	10				
			0 V	3.6 V	-1				
I _{CCB}	V _I = V _{CCI} or GND, I _O = 0		1.2 V to 3.6 V	1.2 V to 3.6 V	10		μA		
			3.6 V	0 V	-1				
			0 V	3.6 V	10				
I _{CCA} + I _{CCB}		V _I = V _{CCI} or GND, I _O = 0		1.2 V to 3.6 V	1.2 V to 3.6 V	15		μA	
C _i	Control inputs	V _I = V _{CCA} or GND		1.8 V	3 V	1.5	2	pF	
	Clock input					1.5	2		
C _{io}	A port	V _O = V _{CCA} or GND		1.8 V	3 V	2.5	3.5	pF	
	B port	V _O = V _{CCB} or GND				12	14		

 (1) V_{CCO} is the V_{CC} associated with the output port.

 (2) V_{CCI} is the V_{CC} associated with the data input port.

 (3) All typical values are at T_A = 25°C.

 (4) For I/O ports, the parameter I_{OZ} includes the input leakage current.

SN74AVCA406E

SCES659E—OCTOBER 2007—REVISED JUNE 2009

www.ti.com

OUTPUT SLEW RATES

over recommended operating free-air temperature range (unless otherwise noted)⁽¹⁾

PARAMETER	FROM	TO	$V_{CCA} = 1.8 V \pm 0.15 V$, $V_{CCB} = 3 V \pm 0.3 V$		UNIT
			MIN	MAX	
t_r	20%	80%		2.7 ⁽²⁾	ns
t_f	80%	20%		2.5 ⁽²⁾	ns

- (1) Values are characterized, but not production tested.
 (2) Using $C_L = 30$ pF on the B side and $C_L = 7$ pF on the A side

TYPICAL SWITCHING CHARACTERISTICS

$T_A = 25^\circ C$, $V_{CCA} = 1.2 V$ (see Figure 6)

PARAMETER	FROM (INPUT)	TO (OUTPUT)	$V_{CCB} = 1.2 V$	$V_{CCB} = 1.5 V$	$V_{CCB} = 1.8 V$	$V_{CCB} = 2.5 V$	$V_{CCB} = 3 V$	UNIT
			TYP	TYP	TYP	TYP	TYP	
t_{pd}	A	B	4.9	4	3.5	3.2	3.2	ns
	B	A	5.3	4.3	4.1	3.9	3.9	
	CLKA	CLKB	5.1	4	3.5	3.1	3.1	
		CLK-f	10.3	8.9	7.7	7.7	7.7	
	CMDA	CMDB	4.9	4	3.5	3.2	3.2	
CMDB	CMDA	4.8	4.4	4.2	4	4		
$t_{en}^{(1)}$	DIR	A	5.3	5.4	5.2	6	5.9	ns
$t_{dis}^{(1)}$	DIR	A	5.5	5.4	5.5	5.6	5.5	ns

- (1) DIR refers to CMD-dir, DAT0-dir, and DAT123-dir.

SWITCHING CHARACTERISTICS

$V_{CCA} = 1.5 V \pm 0.1 V$

over recommended operating free-air temperature range (see Figure 6)

PARAMETER	FROM (INPUT)	TO (OUTPUT)	$V_{CCB} = 1.5 V \pm 0.1 V$		$V_{CCB} = 1.8 V \pm 0.15 V$		$V_{CCB} = 2.5 V \pm 0.2 V$		$V_{CCB} = 3 V \pm 0.3 V$		$V_{CCB} = 3.3 V \pm 0.3 V$		UNIT
			MIN	MAX	MIN	MAX	MIN	MAX	MIN	MAX	MIN	MAX	
t_{pd}	A	B	1.2	7.2	0.8	6.3	0.8	5.4	0.9	5.1	0.9	5.1	ns
	B	A	1.1	6.2	1	7.2	0.93	6.6	0.45	7	0.45	7	
	CLKA	CLKB	1.4	7.1	1.1	6.2	0.8	5.3	0.7	5.1	0.7	5.1	
		CLK-f	1.1	12.7	1.3	13.3	1.3	10.6	1.9	10.9	1.9	10.9	
	CMDA	CMDB	1.1	6	0.9	5.6	0.7	4.7	0.6	4.1	0.6	4.1	
CMDB	CMDA	0.8	5.9	0.8	6.8	0.8	6.4	0.1	6.7	0.1	6.7		
$t_{en}^{(1)}$	DIR	A	1.0	9.1	1.1	10.3	1.1	8.7	1.1	11	1.1	11	ns
$t_{dis}^{(1)}$	DIR	A	1.1	8.1	1.1	8.3	1.1	8.3	1.1	8.3	1.1	8.3	ns

- (1) DIR refers to CMD-dir, DAT0-dir, and DAT123-dir.

SWITCHING CHARACTERISTICS

$V_{CCA} = 1.8\text{ V} \pm 0.15\text{ V}$

over recommended operating free-air temperature range (see Figure 6)

PARAMETER	FROM (INPUT)	TO (OUTPUT)	$V_{CCB} = 1.8\text{ V} \pm 0.15\text{ V}$		$V_{CCB} = 2.5\text{ V} \pm 0.2\text{ V}$		$V_{CCB} = 3\text{ V} \pm 0.3\text{ V}$		$V_{CCB} = 3.3\text{ V} \pm 0.3\text{ V}$		UNIT
			MIN	MAX	MIN	MAX	MIN	MAX	MIN	MAX	
t_{pd}	A	B	0.7	5.8	0.6	4.9	0.5	4.7	0.5	4.7	ns
	B	A	0.7	4.9	0.7	4.5	0.2	5.2	0.2	5.2	
	CLKA	CLKB	0.9	5.8	0.6	4.9	0.6	4.7	0.6	4.7	
		CLK-f	0.9	11	0.9	9.2	0.8	8.8	0.8	8.8	
	CMDA	CMDB	0.7	4.3	0.5	4.1	0.5	3.4	0.5	3.4	
CMDB	CMDA	0.7	4.6	0.8	4.2	0.1	5	0.1	5		
$t_{en}^{(1)}$	DIR	A	0.7	7.2	0.7	6.6	0.7	7.8	0.7	7.8	ns
$t_{dis}^{(1)}$	DIR	A	1.0	7.9	1	7.7	1	8.2	1	8.2	ns

(1) DIR refers to CMD-dir, DAT0-dir, and DAT123-dir.

SWITCHING CHARACTERISTICS

$V_{CCA} = 2.5\text{ V} \pm 0.2\text{ V}$

over recommended operating free-air temperature range(see Figure 6)

PARAMETER	FROM (INPUT)	TO (OUTPUT)	$V_{CCB} = 2.5\text{ V} \pm 0.2\text{ V}$		$V_{CCB} = 3\text{ V} \pm 0.3\text{ V}$		$V_{CCB} = 3.3\text{ V} \pm 0.3\text{ V}$		UNIT
			MIN	MAX	MIN	MAX	MIN	MAX	
t_{pd}	A	B	0.5	4.3	0.4	4.1	0.4	4.1	ns
	B	A	0.5	3.5	0.2	3.7	0.2	3.7	
	CLKA	CLKB	0.5	4.3	0.4	4.1	0.4	4.1	
		CLK-f	0.4	7.8	0.3	7.3	0.3	7.3	
	CMDA	CMDB	0.3	3	0.3	2.7	0.3	2.7	
CMDB	CMDA	0.7	3	0.2	3.4	0.2	3.4		
$t_{en}^{(1)}$	DIR	A	0.5	5.1	0.5	5.6	0.5	5.6	ns
$t_{dis}^{(1)}$	DIR	A	0.7	5.7	0.7	6.7	0.7	6.7	ns

(1) DIR refers to CMD-dir, DAT0-dir, and DAT123-dir.

SWITCHING CHARACTERISTICS

$V_{CCA} = 3.3\text{ V} \pm 0.3\text{ V}$

over recommended operating free-air temperature range (see Figure 6)

PARAMETER	FROM (INPUT)	TO (OUTPUT)	$V_{CCB} = 3\text{ V} \pm 0.3\text{ V}$		$V_{CCB} = 3.3\text{ V} \pm 0.3\text{ V}$		UNIT
			MIN	MAX	MIN	MAX	
t_{pd}	A	B	0.3	3.8	0.3	3.8	ns
	B	A	0.3	3	0.3	3	
	CLKA	CLKB	0.3	3.8	0.3	3.8	
		CLK-f	0.1	6.7	0.1	6.7	
	CMDA	CMDB	0.2	2.5	0.2	2.5	
CMDB	CMDA	0.4	2.6	0.4	2.6		
$t_{en}^{(1)}$	DIR	A	0.3	4.5	0.3	4.5	ns
$t_{dis}^{(1)}$	DIR	A	0.9	7.9	0.9	7.9	ns

(1) DIR refers to CMD-dir, DAT0-dir, and DAT123-dir.

SN74AVCA406E

SCES659E—OCTOBER 2007—REVISED JUNE 2009

www.ti.com
TYPICAL FREQUENCY AND OUTPUT SKEW
 $T_A = 25^\circ\text{C}$, $V_{CCA} = 1.2\text{ V}$ (see Figure 6)

PARAMETER	FROM (INPUT)	TO (OUTPUT)	$V_{CCB} = 1.2\text{ V}$	$V_{CCB} = 1.5\text{ V}$	$V_{CCB} = 1.8\text{ V}$	$V_{CCB} = 2.5\text{ V}$	$V_{CCB} = 3\text{ V}$	$V_{CCB} = 3.3\text{ V}$	UNIT
			TYP	TYP	TYP	TYP	TYP	TYP	
t_{max}	Clock	CLKA	CLKB	95	95	95	95	95	MHz
			CLK-f	95	95	95	95	95	
	Data	A	B	95	95	95	95	95	
		B	A	95	95	95	95	95	
$t_{\text{sk(o)}}$	Channel-to-channel	A	B	0.1	0.1	0.1	0.3	0.2	ns

MAXIMUM FREQUENCY AND OUTPUT SKEW
 $V_{CCA} = 1.5\text{ V} \pm 0.1\text{ V}$

over recommended operating free-air temperature range (see Figure 6)

PARAMETER	FROM (INPUT)	TO (OUTPUT)	$V_{CCB} = 1.5\text{ V} \pm 0.1\text{ V}$		$V_{CCB} = 1.8\text{ V} \pm 0.15\text{ V}$		$V_{CCB} = 2.5\text{ V} \pm 0.2\text{ V}$		$V_{CCB} = 3\text{ V} \pm 0.3\text{ V}$		$V_{CCB} = 3.3\text{ V} \pm 0.3\text{ V}$		UNIT
			MIN	MAX	MIN	MAX	MIN	MAX	MIN	MAX	MIN	MAX	
f_{max}	Clock	CLKA	CLKB	95	95	95	95	95	95	95	95	95	MHz
			CLK-f	95	95	95	95	95	95	95	95		
	Data	A	B	95	95	95	95	95	95	95	95		
		B	A	95	95	95	95	95	95	95			
$t_{\text{sk(o)}}$	Channel-to-channel	A	B	0.1	0.1	0.1	0.1	0.1	0.1	0.1	0.1	ns	

MAXIMUM FREQUENCY AND OUTPUT SKEW
 $V_{CCA} = 1.8\text{ V} \pm 0.15\text{ V}$

over recommended operating free-air temperature range (see Figure 6)

PARAMETER	FROM (INPUT)	TO (OUTPUT)	$V_{CCB} = 1.8\text{ V} \pm 0.15\text{ V}$		$V_{CCB} = 2.5\text{ V} \pm 0.2\text{ V}$		$V_{CCB} = 3\text{ V} \pm 0.3\text{ V}$		$V_{CCB} = 3.3\text{ V} \pm 0.3\text{ V}$		UNIT
			MIN	MAX	MIN	MAX	MIN	MAX	MIN	MAX	
f_{max}	Clock	CLKA	CLKB	95	95	95	95	95	95	95	MHz
			CLK-f	95	95	95	95	95	95	95	
	Data	A	B	95	95	95	95	95	95		
		B	A	95	95	95	95	95	95		
$t_{\text{sk(o)}}$	Channel-to-channel	A	B	0.1	0.1	0.2	0.2	0.2	0.2	ns	

MAXIMUM FREQUENCY AND OUTPUT SKEW

$V_{CCA} = 2.5\text{ V} \pm 0.2\text{ V}$

over recommended operating free-air temperature range (see Figure 6)

PARAMETER	FROM (INPUT)	TO (OUTPUT)	$V_{CCB} = 2.5\text{ V} \pm 0.2\text{ V}$		$V_{CCB} = 3\text{ V} \pm 0.3\text{ V}$		$V_{CCB} = 3.3\text{ V} \pm 0.3\text{ V}$		UNIT
			MIN	MAX	MIN	MAX	MIN	MAX	
f_{\max}	Clock	CLKA	CLKB	95	95	95	95	MHz	
			CLK-f	95	95	95	95		
	Data	A	B	95	95	95	95		
		B	A	95	95	95	95		
$t_{sk(o)}$	Channel-to-channel	A	B	0.1	0.3	0.3	ns		

MAXIMUM FREQUENCY AND OUTPUT SKEW

$V_{CCA} = 3.3\text{ V} \pm 0.3\text{ V}$

over recommended operating free-air temperature range (see Figure 6)

PARAMETER	FROM (INPUT)	TO (OUTPUT)	$V_{CCB} = 3\text{ V} \pm 0.3\text{ V}$		$V_{CCB} = 3.3\text{ V} \pm 0.3\text{ V}$		UNIT
			MIN	MAX	MIN	MAX	
f_{\max}	Clock	CLKA	CLKB	95	95	95	MHz
			CLK-f	95	95	95	
	Data	A	B	95	95	95	
		B	A	95	95	95	
$t_{sk(o)}$	Channel-to-channel	A	B	0.3		ns	

OPERATING CHARACTERISTICS

$T_A = 25^\circ\text{C}$

PARAMETER	TEST CONDITIONS	$V_{CCA} = V_{CCB} = 1.2\text{ V}$	$V_{CCA} = V_{CCB} = 1.5\text{ V}$	$V_{CCA} = V_{CCB} = 1.8\text{ V}$	$V_{CCA} = V_{CCB} = 2.5\text{ V}$	$V_{CCA} = V_{CCB} = 3\text{ V}$	$V_{CCA} = V_{CCB} = 3.3\text{ V}$	UNIT
		TYP	TYP	TYP	TYP	TYP	TYP	
$C_{pdA}^{(1)}$	A-port input, B-port output	4.5	4.7	4.9	5.5	6	6.4	pF
	B-port input, A-port output	8	8.3	8.5	9.1	9.5	9.7	
$C_{pdB}^{(1)}$	A-port input, B-port output	27.9	27.8	27.7	27.6	27.6	27.5	pF
	B-port input, A-port output	2.6	2.5	2.4	2.3	1.8	1.8	

(1) Power dissipation capacitance per transceiver

SN74AVCA406E



SCES659E—OCTOBER 2007—REVISED JUNE 2009

www.ti.com

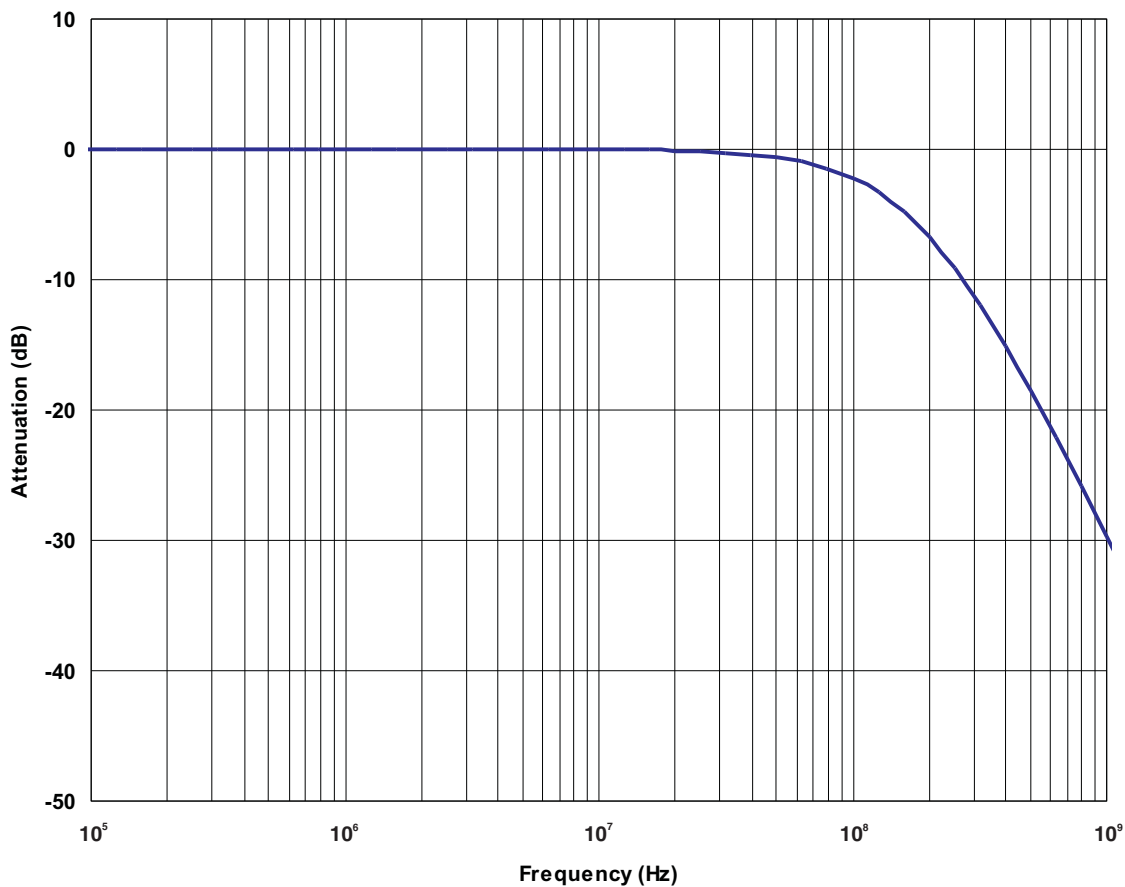
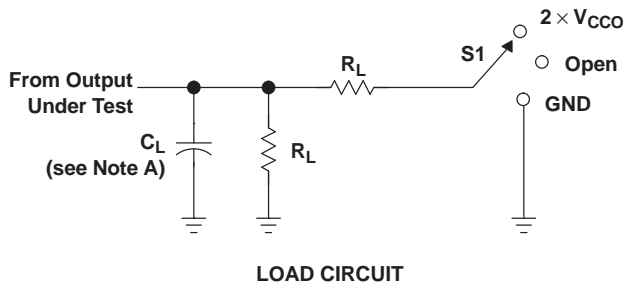


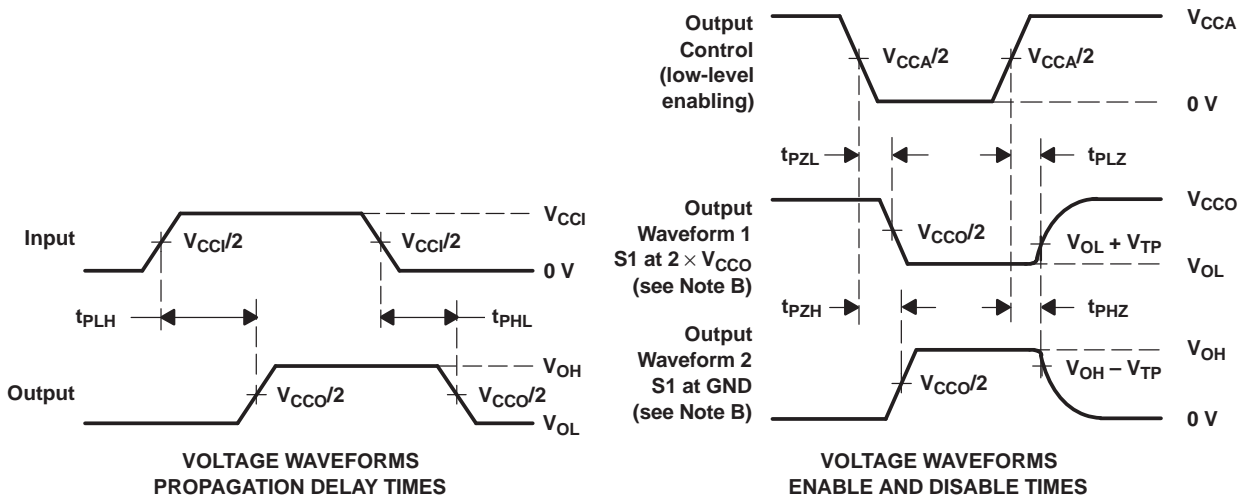
Figure 5. Typical ASIP EMI Filter Frequency Response

PARAMETER MEASUREMENT INFORMATION



TEST	S1
t_{pd}	Open
t_{PLZ}/t_{PZL}	$2 \times V_{CCO}$
t_{PHZ}/t_{PZH}	GND



V_{CCO}	C_L	R_L	V_{TP}
$1.5 \text{ V} \pm 0.1 \text{ V}$	15 pF	2 k Ω	0.1 V
$1.8 \text{ V} \pm 0.15 \text{ V}$	15 pF	2 k Ω	0.15 V
$2.5 \text{ V} \pm 0.2 \text{ V}$	15 pF	2 k Ω	0.15 V
$3.3 \text{ V} \pm 0.3 \text{ V}$	15 pF	2 k Ω	0.3 V



- NOTES: A. C_L includes probe and jig capacitance.
 B. Waveform 1 is for an output with internal conditions such that the output is low, except when disabled by the output control. Waveform 2 is for an output with internal conditions such that the output is high, except when disabled by the output control.
 C. All input pulses are supplied by generators having the following characteristics: PRR \leq 10 MHz, $Z_O = 50 \Omega$, $dv/dt \geq 1 \text{ V/ns}$.
 D. The outputs are measured one at a time, with one transition per measurement.
 E. t_{PLZ} and t_{PHZ} are the same as t_{dis} .
 F. t_{PZL} and t_{PZH} are the same as t_{en} .
 G. t_{PLH} and t_{PHL} are the same as t_{pd} .
 H. V_{CCI} is the V_{CC} associated with the input port.
 I. V_{CCO} is the V_{CC} associated with the output port.

Figure 6. Load Circuit and Voltage Waveforms

PACKAGING INFORMATION

Orderable Device	Status (1)	Package Type	Package Drawing	Pins	Package Qty	Eco Plan (2)	Lead/Ball Finish	MSL Peak Temp (3)	Op Temp (°C)	Device Marking (4/5)	Samples
SN74AVCA406EZQSR	ACTIVE	BGA MICROSTAR JUNIOR	ZQS	24	2500	Green (RoHS & no Sb/Br)	SNAGCU	Level-1-260C-UNLIM	-40 to 85	WM406E	
SN74AVCA406EZXYR	ACTIVE	BGA MICROSTAR JUNIOR	ZXY	20	2500	Green (RoHS & no Sb/Br)	SNAGCU	Level-1-260C-UNLIM	-40 to 85	WM406E	

(1) The marketing status values are defined as follows:

ACTIVE: Product device recommended for new designs.

LIFEBUY: TI has announced that the device will be discontinued, and a lifetime-buy period is in effect.

NRND: Not recommended for new designs. Device is in production to support existing customers, but TI does not recommend using this part in a new design.

PREVIEW: Device has been announced but is not in production. Samples may or may not be available.

OBSELETE: TI has discontinued the production of the device.

(2) Eco Plan - The planned eco-friendly classification: Pb-Free (RoHS), Pb-Free (RoHS Exempt), or Green (RoHS & no Sb/Br) - please check <http://www.ti.com/productcontent> for the latest availability information and additional product content details.

TBD: The Pb-Free/Green conversion plan has not been defined.

Pb-Free (RoHS): TI's terms "Lead-Free" or "Pb-Free" mean semiconductor products that are compatible with the current RoHS requirements for all 6 substances, including the requirement that lead not exceed 0.1% by weight in homogeneous materials. Where designed to be soldered at high temperatures, TI Pb-Free products are suitable for use in specified lead-free processes.

Pb-Free (RoHS Exempt): This component has a RoHS exemption for either 1) lead-based flip-chip solder bumps used between the die and package, or 2) lead-based die adhesive used between the die and leadframe. The component is otherwise considered Pb-Free (RoHS compatible) as defined above.

Green (RoHS & no Sb/Br): TI defines "Green" to mean Pb-Free (RoHS compatible), and free of Bromine (Br) and Antimony (Sb) based flame retardants (Br or Sb do not exceed 0.1% by weight in homogeneous material)

(3) MSL, Peak Temp. -- The Moisture Sensitivity Level rating according to the JEDEC industry standard classifications, and peak solder temperature.

(4) There may be additional marking, which relates to the logo, the lot trace code information, or the environmental category on the device.

(5) Multiple Device Markings will be inside parentheses. Only one Device Marking contained in parentheses and separated by a "-" will appear on a device. If a line is indented then it is a continuation of the previous line and the two combined represent the entire Device Marking for that device.

Important Information and Disclaimer: The information provided on this page represents TI's knowledge and belief as of the date that it is provided. TI bases its knowledge and belief on information provided by third parties, and makes no representation or warranty as to the accuracy of such information. Efforts are underway to better integrate information from third parties. TI has taken and continues to take reasonable steps to provide representative and accurate information but may not have conducted destructive testing or chemical analysis on incoming materials and chemicals. TI and TI suppliers consider certain information to be proprietary, and thus CAS numbers and other limited information may not be available for release.

In no event shall TI's liability arising out of such information exceed the total purchase price of the TI part(s) at issue in this document sold by TI to Customer on an annual basis.



Distributor of Texas Instruments: Excellent Integrated System Limited

Datasheet of SN74AVCA406EZQSR - IC VOLT TRANSL SD MMC 24BGA

Contact us: sales@integrated-circuit.com Website: www.integrated-circuit.com

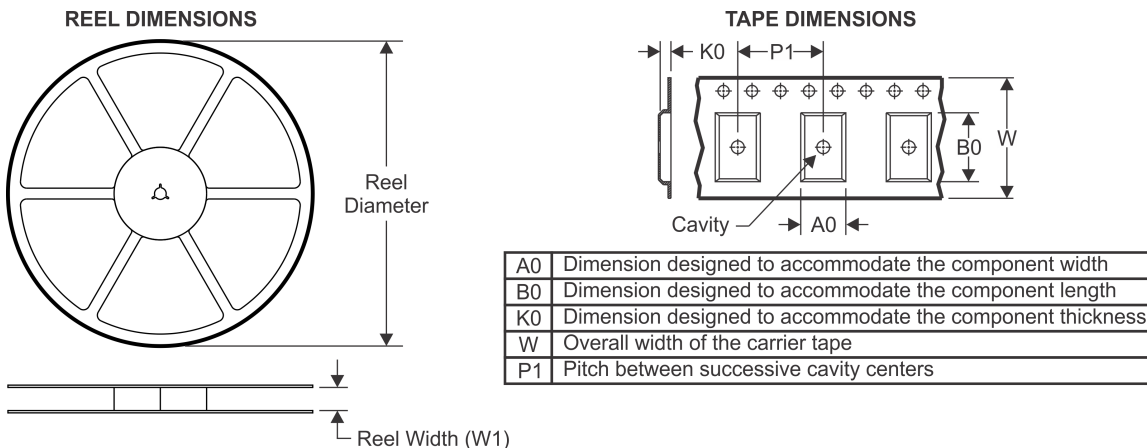
PACKAGE OPTION ADDENDUM



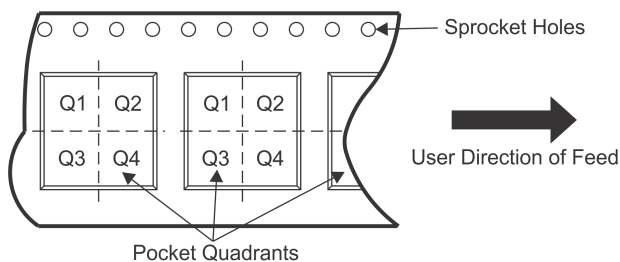
www.ti.com

20-May-2013

TAPE AND REEL INFORMATION



QUADRANT ASSIGNMENTS FOR PIN 1 ORIENTATION IN TAPE



*All dimensions are nominal

Device	Package Type	Package Drawing	Pins	SPQ	Reel Diameter (mm)	Reel Width W1 (mm)	A0 (mm)	B0 (mm)	K0 (mm)	P1 (mm)	W (mm)	Pin1 Quadrant
SN74AVCA406EZQSR	BGA MICROSTAR JUNIOR	ZQS	24	2500	330.0	12.4	3.3	3.3	1.6	8.0	12.0	Q1
SN74AVCA406EZXYR	BGA MICROSTAR JUNIOR	ZXY	20	2500	330.0	12.4	2.8	3.3	1.0	4.0	12.0	Q2

TAPE AND REEL BOX DIMENSIONS



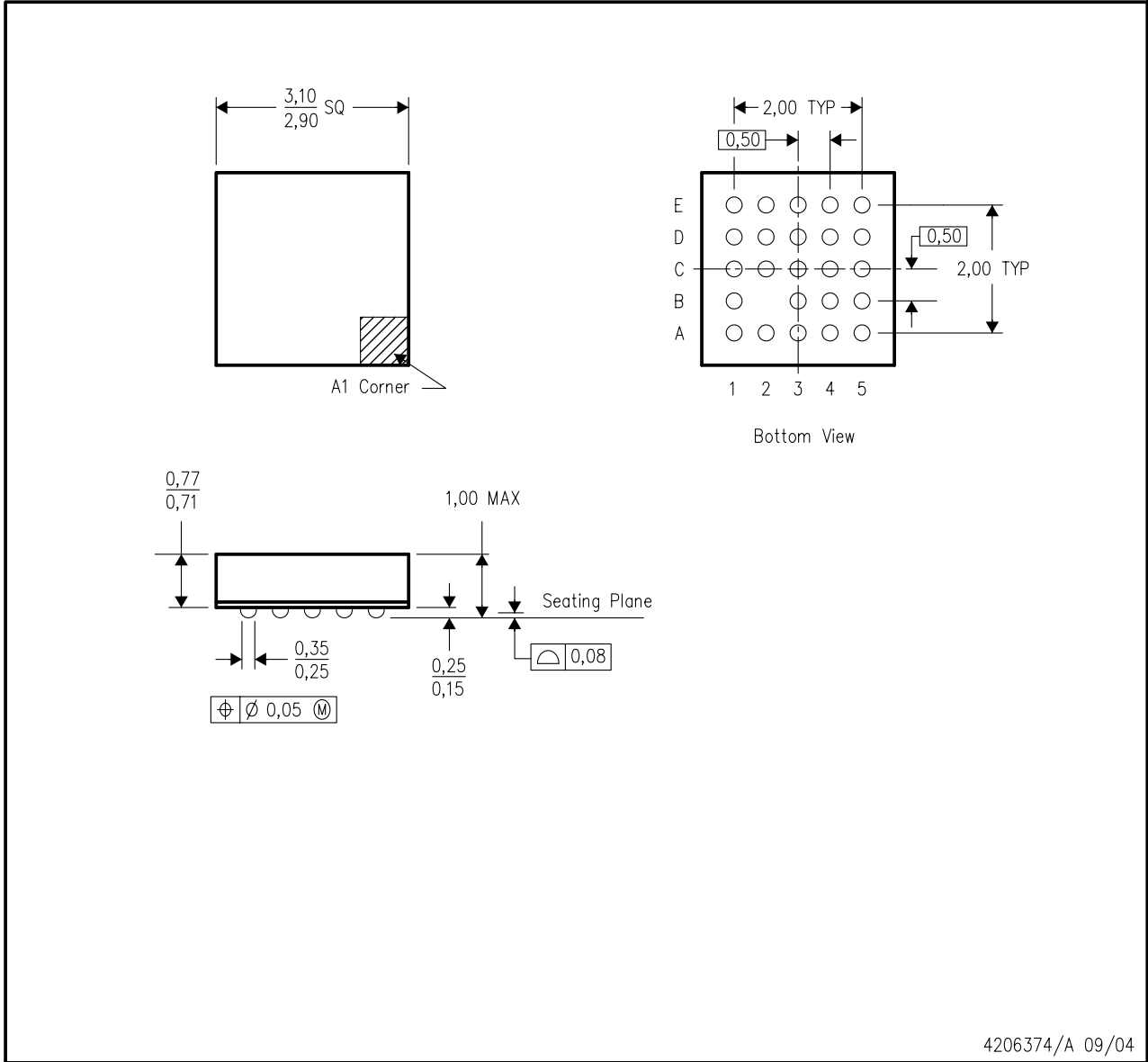
*All dimensions are nominal

Device	Package Type	Package Drawing	Pins	SPQ	Length (mm)	Width (mm)	Height (mm)
SN74AVCA406EZQSR	BGA MICROSTAR JUNIOR	ZQS	24	2500	338.1	338.1	20.6
SN74AVCA406EZXYR	BGA MICROSTAR JUNIOR	ZXY	20	2500	338.1	338.1	20.6

MECHANICAL DATA

ZQS (S-PBGA-N24)

PLASTIC BALL GRID ARRAY

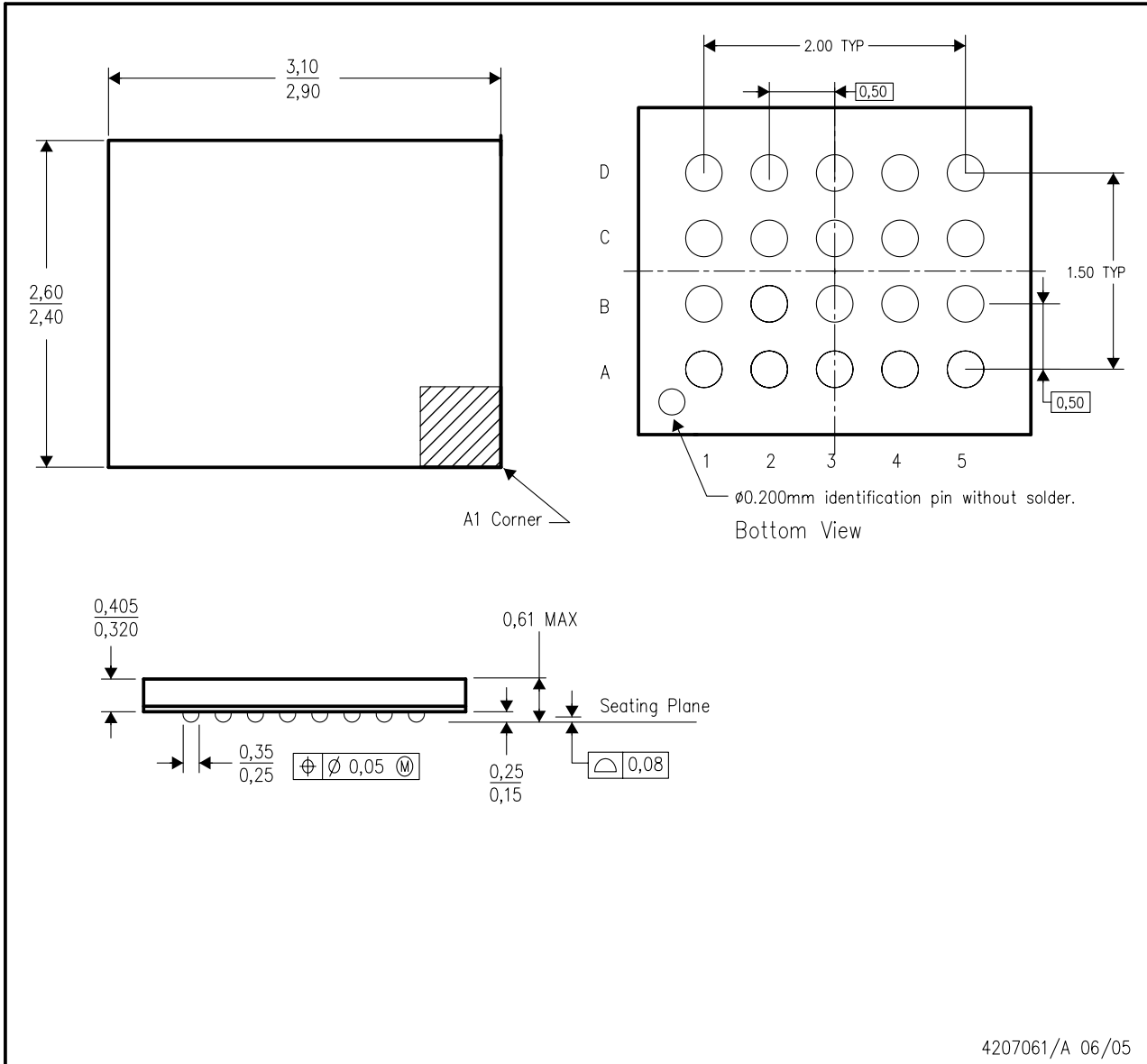


- NOTES:
- A. All linear dimensions are in millimeters.
 - B. This drawing is subject to change without notice.
 - C. Falls within JEDEC MO-225
 - D. This package is lead-free.

MECHANICAL DATA

ZXY (S-PBGA-N20)

PLASTIC BALL GRID ARRAY



- NOTES:
- A. All linear dimensions are in millimeters.
 - B. This drawing is subject to change without notice.
 - C. This package is a lead-free solder ball design.

IMPORTANT NOTICE

Texas Instruments Incorporated and its subsidiaries (TI) reserve the right to make corrections, enhancements, improvements and other changes to its semiconductor products and services per JESD46, latest issue, and to discontinue any product or service per JESD48, latest issue. Buyers should obtain the latest relevant information before placing orders and should verify that such information is current and complete. All semiconductor products (also referred to herein as "components") are sold subject to TI's terms and conditions of sale supplied at the time of order acknowledgment.

TI warrants performance of its components to the specifications applicable at the time of sale, in accordance with the warranty in TI's terms and conditions of sale of semiconductor products. Testing and other quality control techniques are used to the extent TI deems necessary to support this warranty. Except where mandated by applicable law, testing of all parameters of each component is not necessarily performed.

TI assumes no liability for applications assistance or the design of Buyers' products. Buyers are responsible for their products and applications using TI components. To minimize the risks associated with Buyers' products and applications, Buyers should provide adequate design and operating safeguards.

TI does not warrant or represent that any license, either express or implied, is granted under any patent right, copyright, mask work right, or other intellectual property right relating to any combination, machine, or process in which TI components or services are used. Information published by TI regarding third-party products or services does not constitute a license to use such products or services or a warranty or endorsement thereof. Use of such information may require a license from a third party under the patents or other intellectual property of the third party, or a license from TI under the patents or other intellectual property of TI.

Reproduction of significant portions of TI information in TI data books or data sheets is permissible only if reproduction is without alteration and is accompanied by all associated warranties, conditions, limitations, and notices. TI is not responsible or liable for such altered documentation. Information of third parties may be subject to additional restrictions.

Resale of TI components or services with statements different from or beyond the parameters stated by TI for that component or service voids all express and any implied warranties for the associated TI component or service and is an unfair and deceptive business practice. TI is not responsible or liable for any such statements.

Buyer acknowledges and agrees that it is solely responsible for compliance with all legal, regulatory and safety-related requirements concerning its products, and any use of TI components in its applications, notwithstanding any applications-related information or support that may be provided by TI. Buyer represents and agrees that it has all the necessary expertise to create and implement safeguards which anticipate dangerous consequences of failures, monitor failures and their consequences, lessen the likelihood of failures that might cause harm and take appropriate remedial actions. Buyer will fully indemnify TI and its representatives against any damages arising out of the use of any TI components in safety-critical applications.

In some cases, TI components may be promoted specifically to facilitate safety-related applications. With such components, TI's goal is to help enable customers to design and create their own end-product solutions that meet applicable functional safety standards and requirements. Nonetheless, such components are subject to these terms.

No TI components are authorized for use in FDA Class III (or similar life-critical medical equipment) unless authorized officers of the parties have executed a special agreement specifically governing such use.

Only those TI components which TI has specifically designated as military grade or "enhanced plastic" are designed and intended for use in military/aerospace applications or environments. Buyer acknowledges and agrees that any military or aerospace use of TI components which have **not** been so designated is solely at the Buyer's risk, and that Buyer is solely responsible for compliance with all legal and regulatory requirements in connection with such use.

TI has specifically designated certain components as meeting ISO/TS16949 requirements, mainly for automotive use. In any case of use of non-designated products, TI will not be responsible for any failure to meet ISO/TS16949.

Products

Audio	www.ti.com/audio
Amplifiers	amplifier.ti.com
Data Converters	dataconverter.ti.com
DLP® Products	www.dlp.com
DSP	dsp.ti.com
Clocks and Timers	www.ti.com/clocks
Interface	interface.ti.com
Logic	logic.ti.com
Power Mgmt	power.ti.com
Microcontrollers	microcontroller.ti.com
RFID	www.ti-rfid.com
OMAP Applications Processors	www.ti.com/omap
Wireless Connectivity	www.ti.com/wirelessconnectivity

Applications

Automotive and Transportation	www.ti.com/automotive
Communications and Telecom	www.ti.com/communications
Computers and Peripherals	www.ti.com/computers
Consumer Electronics	www.ti.com/consumer-apps
Energy and Lighting	www.ti.com/energy
Industrial	www.ti.com/industrial
Medical	www.ti.com/medical
Security	www.ti.com/security
Space, Avionics and Defense	www.ti.com/space-avionics-defense
Video and Imaging	www.ti.com/video

TI E2E Community

e2e.ti.com