

Excellent Integrated System Limited

Stocking Distributor

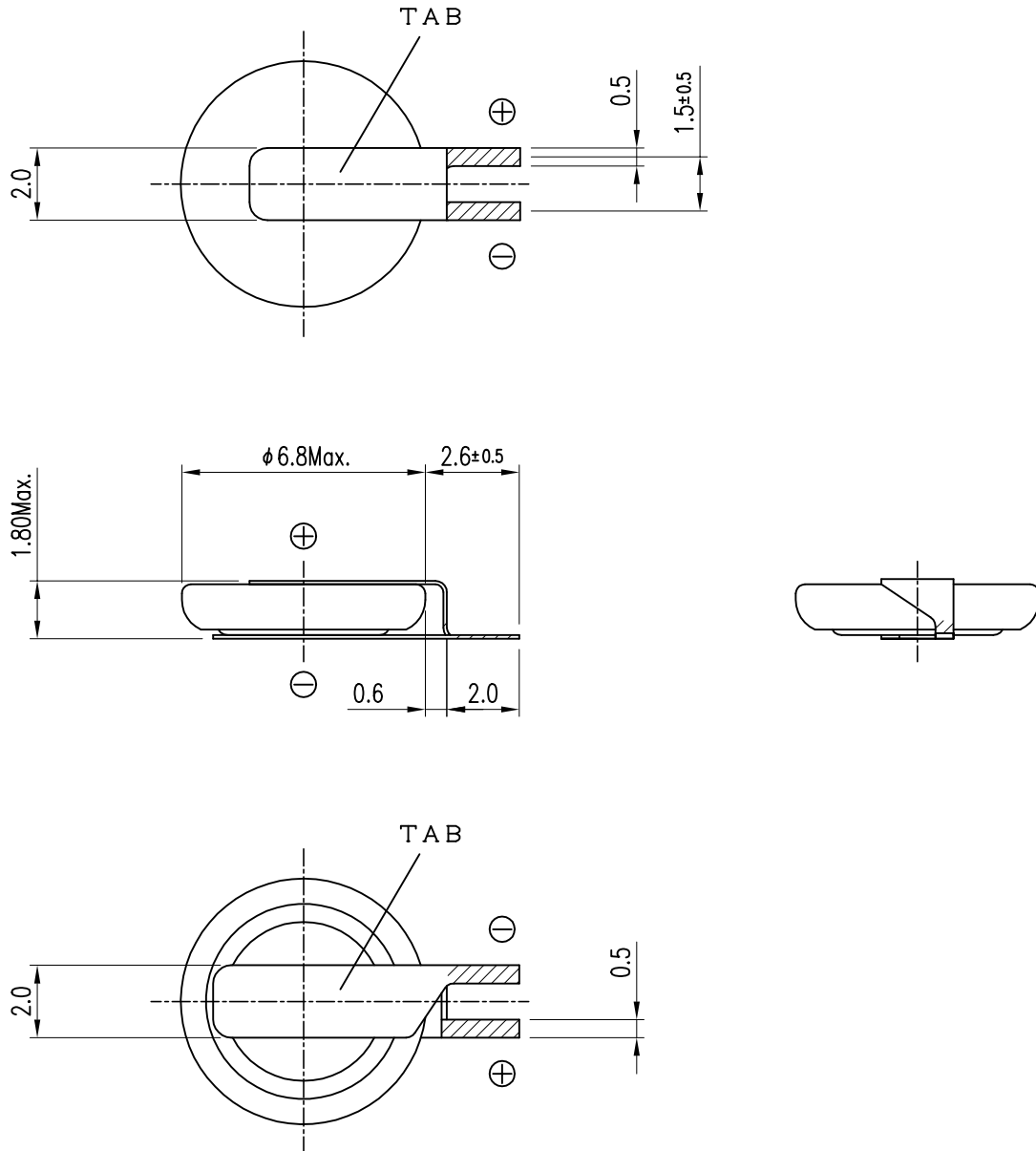
Click to view price, real time Inventory, Delivery & Lifecycle Information:

[FDK America Inc.](#)
[ML614-TZ21](#)

For any questions, you can email us directly:

sales@integrated-circuit.com

FIGURE-1 SHAPE AND DIMENSION



TAB MATERIAL : STAINLESS STEEL WITH
Pb FREE PLATING

TAB THICKNESS : 0.1mm

WELDING STRENGTH OF TAB : MIN. 9.8N
(VERTICAL DIRECTION FROM WELDING PLATE)

Unit : mm

Model

ML614-TZ21

SANYO Electric Co., Ltd. Mobile Energy Company
Ion Technology Business Unit