

Excellent Integrated System Limited

Stocking Distributor

Click to view price, real time Inventory, Delivery & Lifecycle Information:

[Sunon](#)
[HA92251V4-000U-999](#)

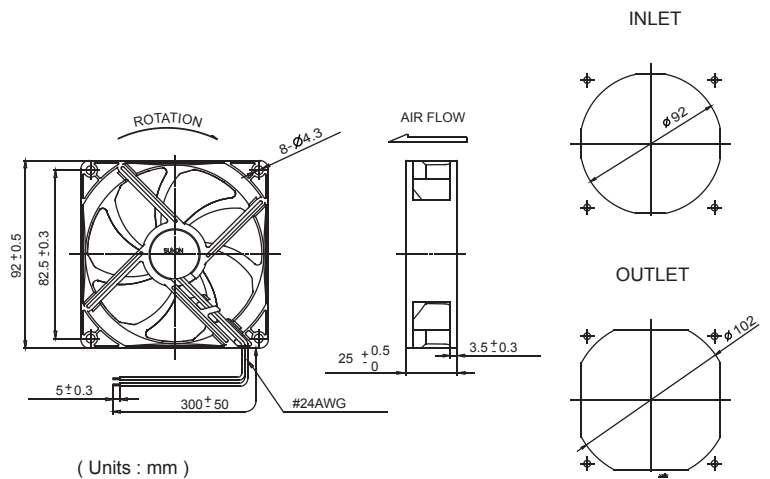
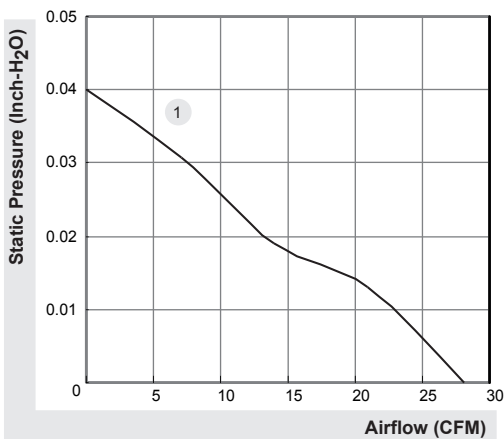
For any questions, you can email us directly:
sales@integrated-circuit.com

92x92x25 mm

28.1 CFM



 HA92251V4-0000-999	Bearing	Rating Voltage (VDC)	Power Current (mA)	Power Consumption (WATTS)	Speed (RPM)	Air Flow (CFM)	Static Pressure (Inch-H ₂ O)	Noise (dBA)	Weight (g)	Curve
	● VAPO	12	73	0.9	1700	28.1	0.04	17.7	69.7	1



*All model could be customized. Please contact with Sunon Sales.

*Specifications are subject to change without notice. Please Visit SUNON web site at <http://www.sunon.com> for update information.