

## **Excellent Integrated System Limited**

Stocking Distributor

Click to view price, real time Inventory, Delivery & Lifecycle Information:

[Panasonic Electronic Components](#)  
[ELC-6GN1R5N](#)

For any questions, you can email us directly:

[sales@integrated-circuit.com](mailto:sales@integrated-circuit.com)

# Panasonic

## Choke Coils

### SMD Choke Coils

Series: **N**

Type: **ELC6GN**



Type ELC6GN

#### ■ Features

- Low DC resistance and large current capability

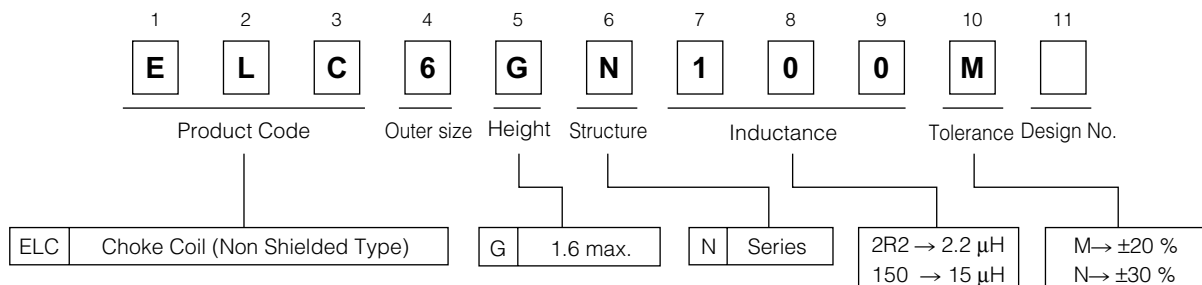
#### ■ Recommended Applications

- DC-DC converter circuitry for computer peripherals and cellular phones.
- Chopper circuit decoupling chokes for DC-DC converter circuitry

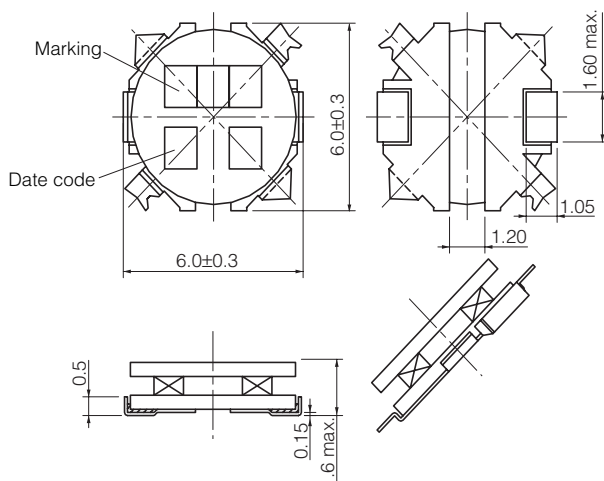
#### ■ Standard Packing Quantity

- 1000 pcs./Reel

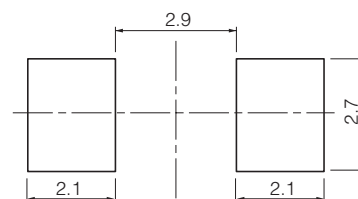
#### ■ Explanation of Part Numbers



#### ■ Dimensions in mm (not to scale)



#### ■ Recommended land patterns in mm (not to scale)



# Panasonic

## Choke Coils

### Standard Parts

Part Number	Inductance (100 kHz)		R <sub>DC</sub> (at 20 °C)		*Rated Current (mA max.)	Marking
	(μH)	Tol.	(mΩ)	Tol.		
ELC6GN1R5N	1.5	±30 %	60	±20 %	2200	1R5
ELC6GN2R2N	2.2		70		1900	2R2
ELC6GN3R3N	3.3		77		1500	3R3
ELC6GN4R7N	4.7		115		1300	4R7
ELC6GN6R8N	6.8		150		1100	6R8
ELC6GN100M	10.0	±20 %	170		1000	100
ELC6GN220M	22.0		350	700	220	

\* Current: This indicates the value of current when the inductance is 70% of nominal value and case temperature has risen 45 °C (at 20 °C)

### Embossed Carrier Tape Dimensions in mm (not to scale)

