



Distributor of Cardinal Components: Excellent Integrated System Limited
Datasheet of CPFZ-A2C5-32.768D6 - Crystal 32.7680kHz 20ppm 6pF 50 kOhm -40°C -
85°C Surface Mount 4-SOJ, 5.50mm pitch

Contact us: sales@integrated-circuit.com Website: www.integrated-circuit.com

Excellent Integrated System Limited

Stocking Distributor

Click to view price, real time Inventory, Delivery & Lifecycle Information:

[Cardinal Components](#)
[CPFZ-A2C5-32.768D6](#)

For any questions, you can email us directly:

sales@integrated-circuit.com

Plastic Tuning Fork Crystals

Series **CPFZ**

Cardinal's CPF crystals offer real time frequency control in a sturdy thermoplastic encasement with a 2.5 mm height.

Part Numbering Example: CPFZ - A1 C5 - 32.768K D12.5

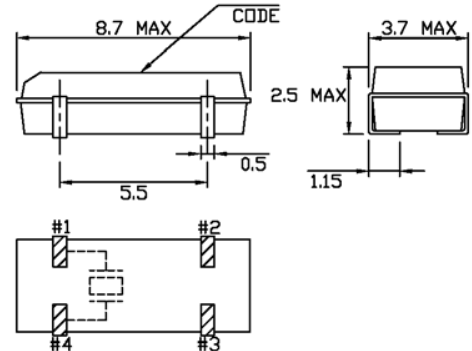
CPFZ	Z	A2*	C5	32.768	D12.5
SERIES	ADDED FEATURES	OPERATING TEMP	TOLERANCE	FREQUENCY	LOAD CAP
CPFZ	BLANK = BULK PACK Z = TAPE AND REEL	A2 = -40°C ~ +85°C	C5 = ± 20		D6 = 6.0 pF D12.5 = 12.5 pF

*NOTE: The above ABC combinations cover basic specification options. We tailor our crystal specifications to meet customer requirements. Please contact our sales department if you don't see exactly what you need.

Specifications:

Frequency Range:	32.768 KHz
Operating Temperature:	-40°C ~ +85°C <i>Standard</i>
Temperature Coefficient:	-(0.035 ± 0.008) ppm/°C ² BT-CUT
Frequency Tolerance:	± 20 ppm (at 25°C)
Load Capacitance:	12.5 pF <i>Typical</i>
Shunt Capacitance:	1.35 pF <i>Typical</i>
Resistance:	50,000Ω Max
Drive Level:	1.0 μW Max
Aging:	± 3.0 ppm per year
Packaging:	Tape and Reel (3K per Reel)

CPFZ



RECOMMENDED SOLDER PAD LAYOUT

