

Excellent Integrated System Limited

Stocking Distributor

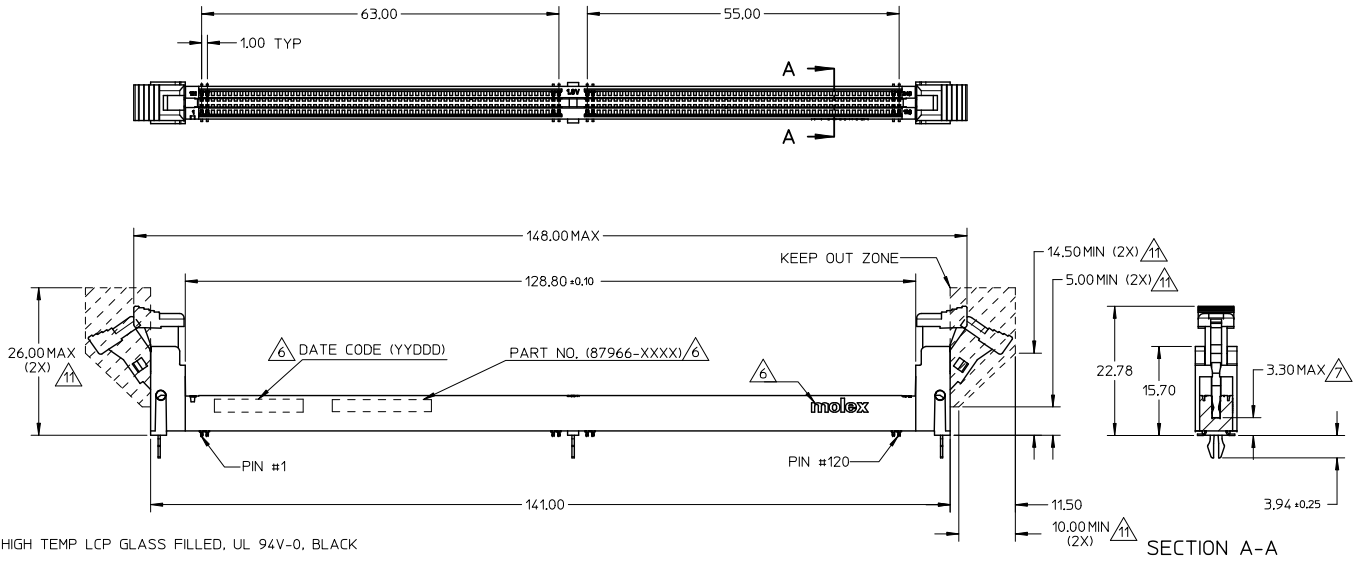
Click to view price, real time Inventory, Delivery & Lifecycle Information:

[Molex Connector Corporation](#)
[87966-0001](#)

For any questions, you can email us directly:

sales@integrated-circuit.com

10 9 8 7 6 5 4 3 2 1



NOTES:

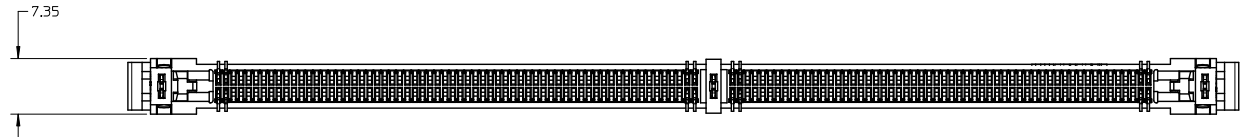
1. MATERIALS
HOUSING - HIGH TEMP LCP GLASS FILLED, UL 94V-0, BLACK
EJECTORS - HIGH TEMP NYLON GLASS FILLED, UL 94V-0, BLACK
TERMINALS - COPPER ALLOY
2. PLATING OPTION - PLS REFER TO SHEET 5.
3. CARD SLOT ACCEPTS 1.27±0.10MM MODULE THICKNESS. (MEASURED OVER PC PADS)
4. RECOMMENDED MODULE LAYOUT SHALL BE AS PER JEDEC MO-237. PLS REFER TO SHEET 3.
5. PRODUCT IS PACKED INTO TRAYS, WRAP IN MOISTURE BARRIER BAG WITH SILICA GEL.
6. MOLEX LOGO, DATE CODE & PART NO. INDICATED ON HOUSING.
7. DIMM MODULE SEATING PLANE FROM TOP OF PCB.
8. COPLANARITY FOR SOLDER TAILS SHALL NOT EXCEED 0.20MM.
9. REFER TO PRODUCT SPEC. PS-87966-001 FOR PERFORMANCE SPECIFICATIONS.
10. THE KEEP OUT AREA IS THE AREA WHERE THE CONNECTOR IS MOUNTED ONTO THE PCB, WHICH DOES NOT INCLUDE THE LATCH.
11. KEEP OUT ZONE AS PER JEDEC SO-001.
12. CONTACT MOLEX FOR AVAILABILITY OF PRODUCT OPTIONS.

ADDED MBB & SIGEL EC NO: S2012-0451 DRAWN/CCTEH 2012/12/07 CHKD/CKSON 2013/01/03 APPR: SILENI 2013/01/03	QUALITY SYMBOLS ▽=0 ▽=0 ▽=0	GENERAL TOLERANCES (UNLESS SPECIFIED)		DIMENSION STYLE MM ONLY		SCALE NTS	DESIGN UNITS METRIC	THIRD ANGLE PROJECTION
		4 PLACES ± --- ± ---	3 PLACES ± --- ± ---	2 PLACES ± 0.10 ± ---	1 PLACE ± --- ± ---	0 PLACE ± ±	DRAWN BY DATE CCTEH 2005/10/19	
B2	DESCRIPTION	ANGULAR ± 1 °		MATERIAL NO.		DOCUMENT NO.		SHEET NO.
DRAFT WHERE APPLICABLE MUST REMAIN WITHIN DIMENSIONS		SEE TABLE		SD-87966-002		1 OF 5		
THIS DRAWING CONTAINS INFORMATION THAT IS PROPRIETARY TO MOLEX INCORPORATED AND SHOULD NOT BE USED WITHOUT WRITTEN PERMISSION								

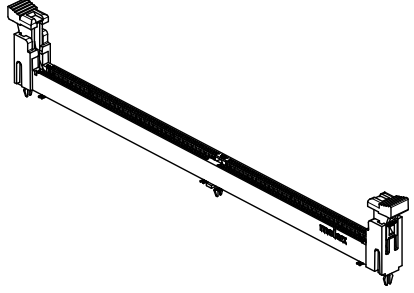
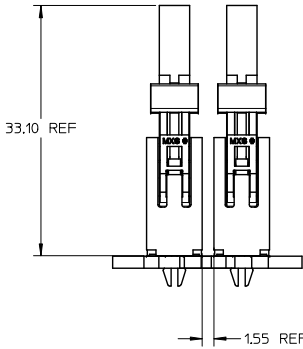
9 8 7 6 5 4 3 2 1

10 9 8 7 6 5 4 3 2 1

F

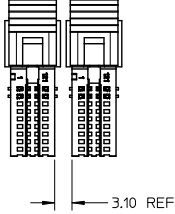


E



C

B



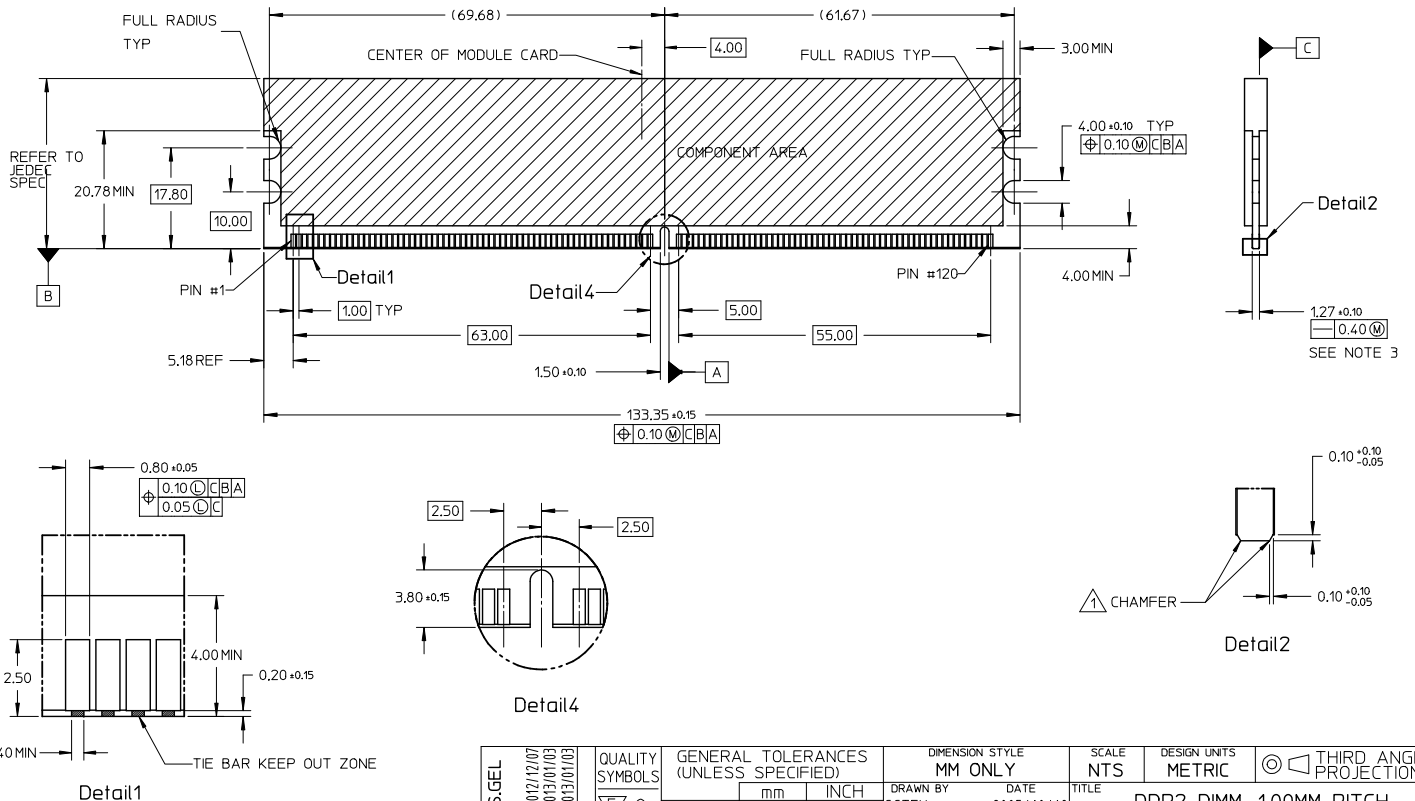
A

ADDED MBB & S.GEL EC NO: S2012-0451 DRAWN: CCTEH CHECKED: KESH APPR: SHILEN	2012/12/07 2013/01/03 2013/01/03	QUALITY SYMBOLS	GENERAL TOLERANCES (UNLESS SPECIFIED)		DIMENSION STYLE		SCALE	DESIGN UNITS	THIRD ANGLE PROJECTION	
		DESCRIPTION	mm	INCH	MM ONLY		NTS	METRIC		
		√=0 √=0 √=0	4 PLACES ± ---	± ---	DRAWN BY	DATE	TITLE	DDR2 DIMM, 1.00MM PITCH 240 CKTS, SMT		
		DRAFT WHERE APPLICABLE MUST REMAIN WITHIN DIMENSIONS	3 PLACES ± ---	± ---	CCTEH	2005/10/19		molex		
REV		2 PLACES ± 0.10	± ---	CHECKED BY	DATE	MATERIAL NO.	DOCUMENT NO.	SHEET NO.		
B2		1 PLACE ± ---	± ---	SRRAMESH	2005/11/21	SEE TABLE	SD-87966-002	2 OF 5		
		0 PLACE ±	±	APPROVED BY	DATE	THIS DRAWING CONTAINS INFORMATION THAT IS PROPRIETARY TO MOLEX INCORPORATED AND SHOULD NOT BE USED WITHOUT WRITTEN PERMISSION				
				GGLLEE	2005/11/21					

9 8 7 6 5 4 3 2 1

10 9 8 7 6 5 4 3 2 1

RECOMMENDED MODULE LAYOUT

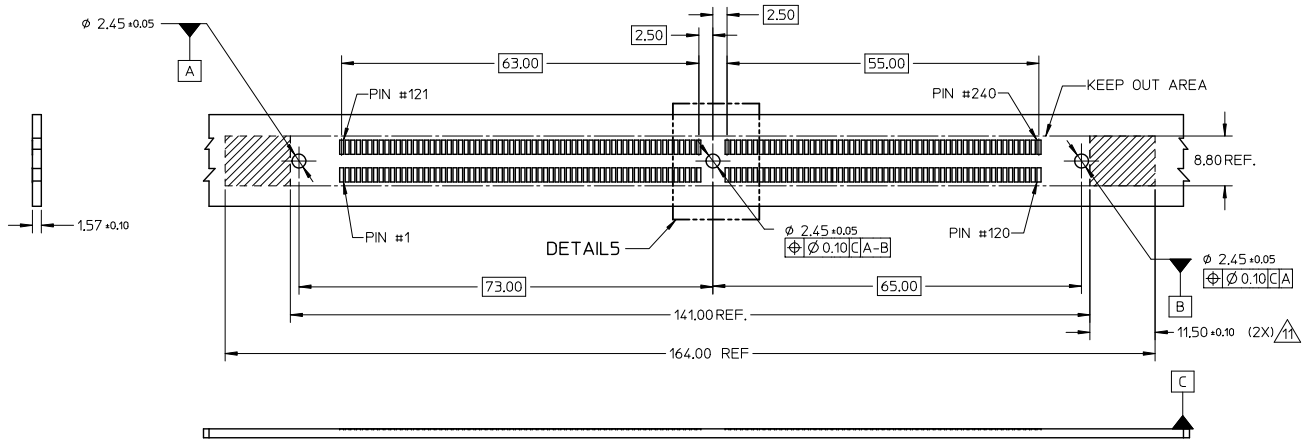


NOTES:
1. MODULE CARD USED IN PRODUCT TESTING ARE CHAMFER.

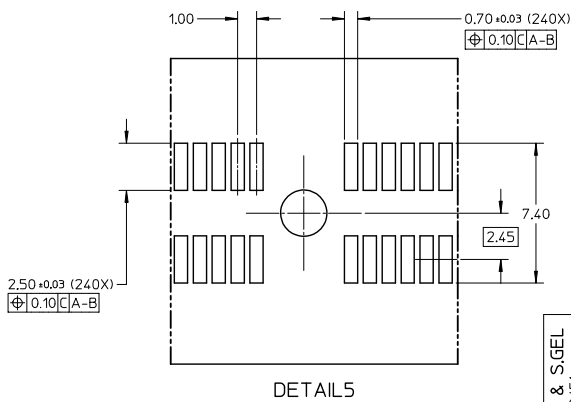
ADDED MBB & SIGEL EC NO: S2012-0451 DRAWN BY: CHYKDEKSOH CHECKED BY: CHYKDEKSOH APPR: SILENI 2012/12/07 2013/01/03 2013/01/03	QUALITY SYMBOLS	GENERAL TOLERANCES (UNLESS SPECIFIED)	DIMENSION STYLE	SCALE	DESIGN UNITS	THIRD ANGLE PROJECTION
	$\sqrt{R}=0$ $\sqrt{S}=0$ $\sqrt{P}=0$	mm ± --- INCH ± --- 4 PLACES ± --- 3 PLACES ± --- 2 PLACES ± 0.10 1 PLACE ± --- 0 PLACE ±	MM ONLY	NTS	METRIC	TITLE: DDR2 DIMM, 1,00MM PITCH 240 CKTS, SMT molex DOCUMENT NO: SD-87966-002 SHEET NO: 3 OF 5
	ANGULAR ± 1 ° DRAFT WHERE APPLICABLE MUST REMAIN WITHIN DIMENSIONS	DRAWN BY: CCTEH CHECKED BY: SRRAMESH APPROVED BY: GGLEE DATE: 2005/10/19 DATE: 2005/11/21 DATE: 2005/11/21	SEE TABLE			
	REV B2	SIZE A3	THIS DRAWING CONTAINS INFORMATION THAT IS PROPRIETARY TO MOLEX INCORPORATED AND SHOULD NOT BE USED WITHOUT WRITTEN PERMISSION			

10 9 8 7 6 5 4 3 2 1

10 9 8 7 6 5 4 3 2 1



RECOMMENDED STENCIL THICKNESS = 150µM.

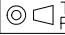



ADDED MBB & S.GEL EC NO. S2012-0451 DRAWN: CTEH CHKD: EKSOH APPR: SILENI	2012/12/07 2013/01/03 2013/01/03	QUALITY SYMBOLS $\nabla=0$ $\nabla=0$ $\nabla=0$	GENERAL TOLERANCES (UNLESS SPECIFIED)		DIMENSION STYLE MM ONLY		SCALE NTS	DESIGN UNITS METRIC	THIRD ANGLE PROJECTION
			4 PLACES ± --- ± --- 3 PLACES ± --- ± --- 2 PLACES ± 0.10 ± --- 1 PLACE ± --- ± --- 0 PLACE ± ±	mm INCH	DRAWN BY CTEH	DATE 2005/10/19	TITLE DDR2 DIMM, 1.00MM PITCH 240 CKTS, SMT	CHECKED BY SRRAMESH	DATE 2005/11/21
DRAFT WHERE APPLICABLE MUST REMAIN WITHIN DIMENSIONS			ANGULAR ± 1°		MATERIAL NO. SEE TABLE		DOCUMENT NO. SD-87966-002		SHEET NO. 4 OF 5
THIS DRAWING CONTAINS INFORMATION THAT IS PROPRIETARY TO MOLEX INCORPORATED AND SHOULD NOT BE USED WITHOUT WRITTEN PERMISSION									

9 8 7 6 5 4 3 2 1

10 9 8 7 6 5 4 3 2 1

ASSEMBLY PART NO.	VOLTAGE KEY POS.	PLATING	LATCH COLOR	LUBRICATION
87966-0001	CENTRE 1.8V	0.76μM (30μ IN) MIN. GOLD ON CONTACT	BLACK	NO
87966-0002		2.54μM (100μ IN) MIN. TIN ON SOLDER TAILS		YES
		1.27μM (50μ IN) MIN. NICKEL UNDERPLATE		

ADDED MBB & S.GEL EC NO: S2012-0451 DRAWN BY: CTEH CHKD BY: SRRAMESH APPR: SHILENI 2012/12/07 2013/01/03 2013/01/03	QUALITY SYMBOLS	GENERAL TOLERANCES (UNLESS SPECIFIED)	DIMENSION STYLE	SCALE	DESIGN UNITS	THIRD ANGLE PROJECTION																		
	$\nabla=0$ $\nabla=0$ $\nabla=0$	<table border="1"> <tr> <th></th> <th>mm</th> <th>INCH</th> </tr> <tr> <td>4 PLACES</td> <td>± ---</td> <td>± ---</td> </tr> <tr> <td>3 PLACES</td> <td>± ---</td> <td>± ---</td> </tr> <tr> <td>2 PLACES</td> <td>± 0.10</td> <td>± ---</td> </tr> <tr> <td>1 PLACE</td> <td>± ---</td> <td>± ---</td> </tr> <tr> <td>0 PLACE</td> <td>±</td> <td>±</td> </tr> </table>		mm	INCH	4 PLACES	± ---	± ---	3 PLACES	± ---	± ---	2 PLACES	± 0.10	± ---	1 PLACE	± ---	± ---	0 PLACE	±	±	MM ONLY	NTS	METRIC	
		mm	INCH																					
	4 PLACES	± ---	± ---																					
3 PLACES	± ---	± ---																						
2 PLACES	± 0.10	± ---																						
1 PLACE	± ---	± ---																						
0 PLACE	±	±																						
DESCRIPTION	ANGULAR ± 1 ° DRAFT WHERE APPLICABLE MUST REMAIN WITHIN DIMENSIONS	DRAWN BY: CTEH CHECKED BY: SRRAMESH APPROVED BY: GGLEE DATE: 2005/10/19 DATE: 2005/11/21 DATE: 2005/11/21	TITLE	DDR2 DIMM, 1.00MM PITCH 240 CKTS, SMT		MATERIAL NO. SEE TABLE																		
REV					DOCUMENT NO.	SHEET NO.																		
B2					SD-87966-002	5 OF 5																		

9 8 7 6 5 4 3 2 1