

Excellent Integrated System Limited

Stocking Distributor

Click to view price, real time Inventory, Delivery & Lifecycle Information:

[Molex Connector Corporation](#)
[5027740891](#)

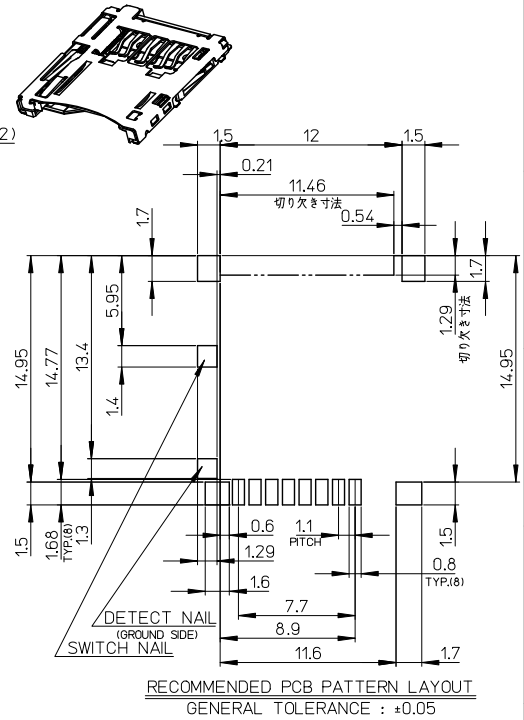
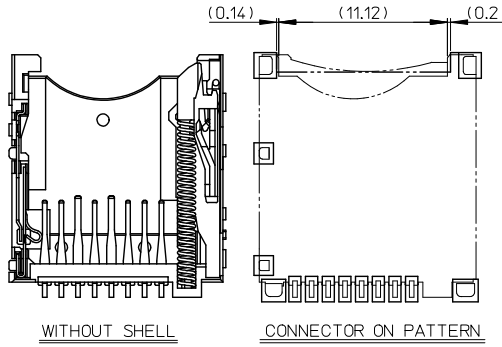
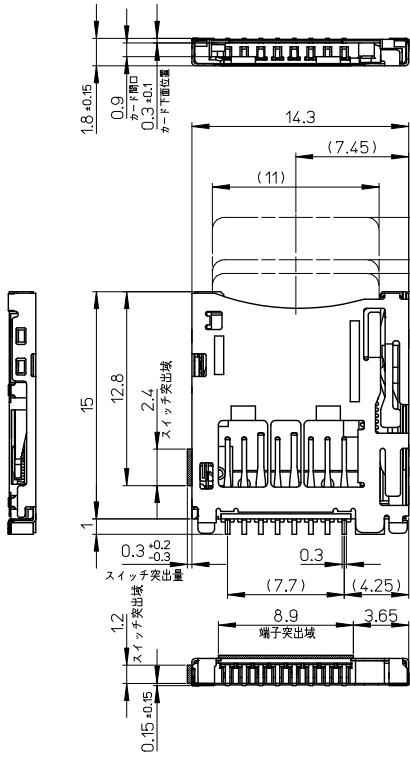
For any questions, you can email us directly:

sales@integrated-circuit.com

NOTES

- 端子とネイルの平坦度は 0.1 MAX.
COPLANARITY OF TERMINAL AND NAIL TO BE 0.1 MAX.
- ロット印字は任意とする。
LOT NUMBERING TO BE OPTIONAL ARRANGEMENT.
- 肉抜き位置は任意とする。
CAVITY TO BE OPTIONAL ARRANGEMENT.
- エンボス梱包: 502774-0891
EMBOSS PACKAGE : 502774-0891
- カード検出スイッチ
DETECT SWITCH
- ELV AND RoHS COMPLIANT.

カード挿入時 CARD INSERTING POSITION	クローズ CLOSED
カード未挿入時 NO CARD POSITION	オープン OPEN



502774-0891	8
EMBOSS PACKAGE	極数
オーダー番号 ORDER NO.	CIRCUITS
CONNECTOR SERIES NO. 502774-0811	
SCALE 4:1	DESIGN UNITS METRIC
THIRD ANGLE PROJECTION	
TITLE MICRO SD CONN. REVERSE	
DOCUMENT NO. SD-502774-001	
SHEET NO. 1 OF 2	

REVISED EC NO: J2015-1461 DRAWN/KUSATO CHKD: APPR:MIKITA	GENERAL TOLERANCES (UNLESS SPECIFIED)		DIMENSION STYLE		
	0.25 UNDER	UNDER	±0.03	MM ONLY	
DESCRIPTION 2015/04/30 2015/05/07	0.25 OVER	0.5 UNDER	±0.05	DRAWN BY DATE JUNH. 2007/07/29	
	0.5 OVER	1.0 UNDER	±0.1		CHECKED BY DATE K. TOYOTA 2007/07/29
	1.0 OVER	10 UNDER	±0.2	APPROVED BY DATE N. UKITA 2007/07/29	
	10 OVER	30 UNDER	±0.25	MATERIAL NO.	
	30 OVER		±0.3	SEE TABLE	
ANGULAR ±1 °				SIZE A3	
DRAFT WHERE APPLICABLE MUST REMAIN WITHIN DIMENSIONS				THIS DRAWING CONTAINS INFORMATION THAT IS PROPRIETARY TO MOLEX INCORPORATED AND SHOULD NOT BE USED WITHOUT WRITTEN PERMISSION	

10 9 8 7 6 5 4 3 2 1

PARTS	QTY	MATERIAL	FINISH
ハウジング HOUSING	1	ガラス入り耐熱樹脂(LCP), UL94V-0 色:黒 HEAT RESISTANCE POLYMER (LCP), UL94V-0, BLACK	---
ハートカム HEART CAM	1	ガラス入り耐熱樹脂(LCP), UL94V-0 色:黒 HEAT RESISTANCE POLYMER (LCP), UL94V-0, BLACK	---
ターミナル TERMINAL	8	銅合金 COPPER ALLOY	接点部 : 金メッキ 0.5 μm MIN. CONTACT AREA : GOLD 0.5 μm MIN. 下地 : ニッケルメッキ 1.0 μm MIN. UNDER PLATING : NICKEL 1.0 μm MIN. 半田付け部 : 錫メッキ 2.0 μm MIN. SOLDER AREA : TIN 2.0 μm MIN.
ディテクトネイル DETECT NAIL	1	銅合金 COPPER ALLOY	接点部 : 金メッキ 0.2 μm MIN. CONTACT AREA : GOLD 0.2 μm MIN. 下地 : ニッケルメッキ 1.0 μm MIN. UNDER PLATING : NICKEL 1.0 μm MIN.
スイッチネイル SWITCH NAIL	1	銅合金 COPPER ALLOY	接点部 : 金メッキ 0.2 μm MIN. CONTACT AREA : GOLD 0.2 μm MIN. 下地 : ニッケルメッキ 1.0 μm MIN. UNDER PLATING : NICKEL 1.0 μm MIN. 半田付け部 : 錫メッキ 1.0 μm MIN. SOLDER AREA : TIN 1.0 μm MIN.
メタルシェル METAL SHELL	1	ステンレス鋼 STAINLESS STEEL	全面 : ニッケルメッキ 0.5 μm MIN. ALLOVER : NICKEL 0.5 μm MIN. 部分金メッキ 0.02 μm MIN. SELECTIVE GOLD 0.02 μm MIN.
ピン PIN	1	ステンレス鋼 STAINLESS STEEL	---
スプリング SPRING	1	ピアノ線 SWP	全面 : ニッケルメッキ ALLOVER : NICKEL

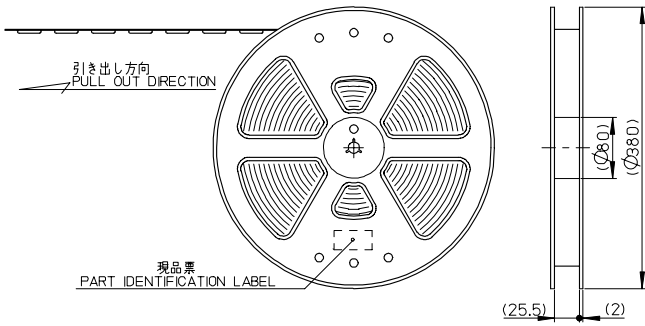
REVISED EC NO: J2015-1461 DRAWN/KUSATO CHIKO APPROX/UKITA 2015/04/30 2015/05/07	GENERAL TOLERANCES (UNLESS SPECIFIED)			DIMENSION STYLE		SCALE	DESIGN UNITS	THIRD ANGLE PROJECTION
				MM ONLY		---	METRIC	
	0.25 UNDER	UNDER	±0.03	DRAWN BY	DATE	TITLE		
	0.25 OVER	0.5 UNDER	±0.05	JUNH.	2007/07/29	MICRO SD CONN. REVERSE		
0.5 OVER	4.0 UNDER	±0.1	CHECKED BY	DATE				
1.0 OVER	10 UNDER	±---	K. TOYOTA	2007/07/29				
10 OVER	30 UNDER	±---	APPROVED BY	DATE				
30 OVER		±---	N. UKITA	2007/07/29				
ANGULAR	±---		MATERIAL NO.			DOCUMENT NO.		
DRAFT WHERE APPLICABLE MUST REMAIN WITHIN DIMENSIONS			SEE SHEET 1		SD-502774-001		SHEET NO.	
			SIZE		THIS DRAWING CONTAINS INFORMATION THAT IS PROPRIETARY TO MOLEX INCORPORATED AND SHOULD NOT BE USED WITHOUT WRITTEN PERMISSION		2 OF 2	

9 8 7 6 5 4 3 2 1

10 9 8 7 6 5 4 3 2 1

F
E
D
C
B
A

F
E
D
C
B
A

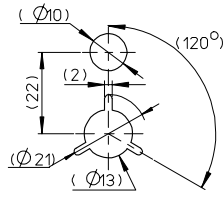


NOTES

- 梱包数量: 1000個/リール
NUMBER OF CONNECTORS: 1000PCS/REEL
- リードテープ長さ
LEAD TAPE LENGTH

トップテープ未接着部 TOP TAPE NON-BONDED PART	トップテープ接着部 (空エンボス) TOP TAPE BONDED PART (EMPTY)
50 ±50	20PCS. MIN.
- 材料
MATERIAL

キャリアテープ: ポリスチレン (PS)	部品挿入部 COMPONENT SUPPLIER	末端部 TAIL PART (EMPTY)
トップテープ: PET, PE, PEF	400MIN.	160MIN.
リール: ポリスチレン(PS) <リサイクル材を含む>		
CARRIER TAPE: POLYSTYRENE(PS)		
TOP TAPE: PET, PE, PEF		
REEL: POLYSTYRENE(PS) <RECYCLE MATERIAL CONTAINED>		
- コネクタ番号: 502774-0811
CONNECTOR NO.: 502774-0811

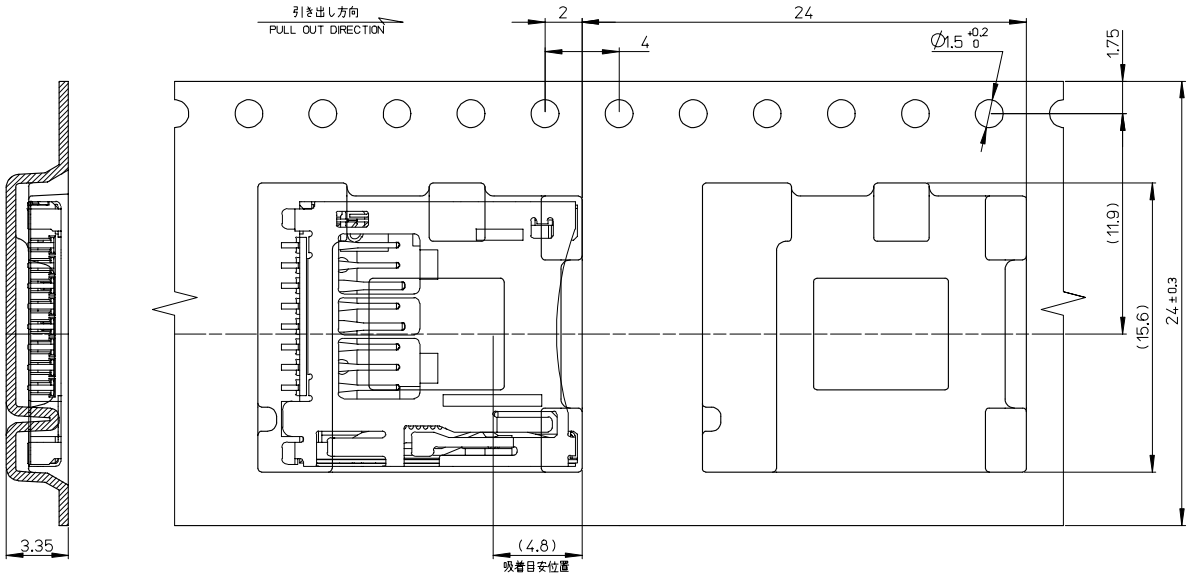


RELEASED EC NO.: J2008-0265 DRAWN: JH01 CHKD: TOYOTA APP: NIKITA	DESCRIPTION 2007/08/03 2007/08/03 2007/08/06	GENERAL TOLERANCES (UNLESS SPECIFIED)		DIMENSION STYLE MM ONLY		SCALE ---	DESIGN UNITS METRIC	THIRD ANGLE PROJECTION	
		10 UNDER	±0.2	DRAWN BY JUNH.	DATE 2007/06/29	TITLE MICRO SD CONN. REVERSE EMBOSSED TAPE PACKAGE -LEAD FREE-			
		10 OVER 30 UNDER	±0.25	CHECKED BY K.TOYODA	DATE 2007/06/29	MOLEX INCORPORATED			
		30 OVER	±0.3	APPROVED BY N.UKITA	DATE 2007/06/29	MATERIAL NO. SEE SHEET 2 DOCUMENT NO. SD-502774-002 SHEET NO. 1 OF 2			
0	REV	ANGULAR ±1 ° DRAFT WHERE APPLICABLE MUST REMAIN WITHIN DIMENSIONS		SIZE A3		THIS DRAWING CONTAINS INFORMATION THAT IS PROPRIETARY TO MOLEX INCORPORATED AND SHOULD NOT BE USED WITHOUT WRITTEN PERMISSION			

9 8 7 6 5 4 3 2 1 EN-02JA(021)

10 9 8 7 6 5 4 3 2 1

F
E
D
C
B
A



502774-0811	502774-0891
CONNECTOR	MATERIAL NO.

SEE SHEET 1 EC NO: J2008-0265 DRAWN: JH01 CHKDK: TOYOTA APPR: NIKITA	GENERAL TOLERANCES (UNLESS SPECIFIED)	DIMENSION STYLE MM ONLY	SCALE 5:1	DESIGN UNITS METRIC	THIRD ANGLE PROJECTION	
	10 UNDER ±0.2 10 OVER 30 UNDER ±0.25 30 OVER ±0.3	DRAWN BY JUNH.	DATE 2007/06/29	TITLE MICRO SD CONN. REVERSE EMBOSSED TAPE PACKAGE -LEAD FREE-		
	ANGULAR ±1° DRAFT WHERE APPLICABLE MUST REMAIN WITHIN DIMENSIONS	CHECKED BY K. TOYOTA	DATE 2007/06/29	MOLEX INCORPORATED		
		APPROVED BY N. UKITA	DATE 2007/06/29	MATERIAL NO. SEE CHART	DOCUMENT NO. SD-502774-002	SHEET NO. 2 OF 2

fb_frame_A3_J_ME_S
Rev. D 2004/04/02

9 8 7 6 5 4 3 2 EN-02JA(021)