



Excellent Integrated System Limited

Stocking Distributor

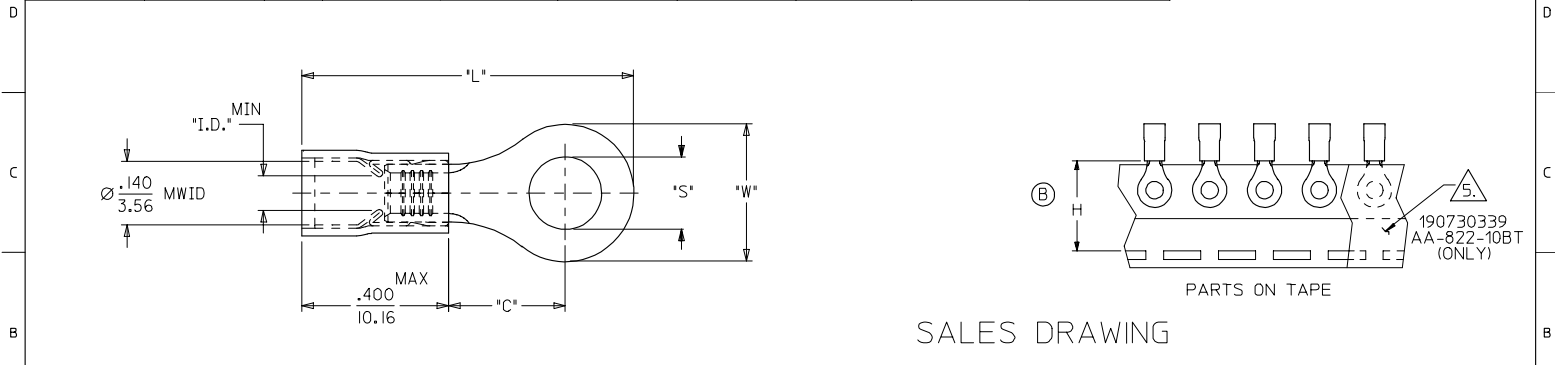
Click to view price, real time Inventory, Delivery & Lifecycle Information:

[Molex Connector Corporation](#)
[19073-0026](#)

For any questions, you can email us directly:

sales@integrated-circuit.com

	10	9	8	7	6	5	4	3	2	19073
	MATERIAL NUMBER	ALTERNATE NUMBER	STUD SIZE	"S"	"W"	"C"	"L"	"I.D."	H ^(B) ±.010/0.25	PACKAGING
F	190730022	AA-822-10	10	.198(5.03)	.47(11.9)	.39(9.8)	1.06(26.9)	.062(1.57)	N/A	LOOSE PIECE
	190730024	AA-822-14	1/4	.265(6.73)	.47(11.9)	.39(9.8)	1.06(26.9)	.062(1.57)		
	190730027	AA-822-56	5/16	.328(8.33)	.47(11.9)	.39(9.8)	1.06(26.9)	.062(1.57)		
	190730029	AA-826-10	10	.198(5.03)	.54(13.6)	.55(14.0)	1.26(32.0)	.054(1.37)		
	190730030	AA-826-14	1/4	.265(6.73)	.54(13.6)	.55(14.0)	1.26(32.0)	.054(1.37)		
	190730032	AA-826-38	3/8	.390(9.91)	.54(13.6)	.55(14.0)	1.26(32.0)	.054(1.37)		
E	190730034	AA-826-56	5/16	.328(8.33)	.54(13.6)	.55(14.0)	1.26(32.0)	.054(1.37)	.980/24.89	TAPE MOUNTED
	190730023	AA-822-10T	10	.198(5.03)	.47(11.9)	.39(9.8)	1.06(26.9)	.062(1.57)		
	190730026	AA-822-14T	1/4	.265(6.73)	.47(11.9)	.39(9.8)	1.06(26.9)	.062(1.57)		
	190730028	AA-822-56T	5/16	.328(8.33)	.47(11.9)	.39(9.8)	1.06(26.9)	.062(1.57)		
	190730319	AA-826-10T	10	.198(5.03)	.54(13.6)	.55(14.0)	1.26(32.0)	.054(1.37)		
	190730031	AA-826-14T	1/4	.265(6.73)	.54(13.6)	.55(14.0)	1.26(32.0)	.054(1.37)		
	190730033	AA-826-38T	3/8	.390(9.91)	.54(13.6)	.55(14.0)	1.26(32.0)	.054(1.37)	1.172/29.77	
	190730035	AA-826-56T	5/16	.328(8.33)	.54(13.6)	.55(14.0)	1.26(32.0)	.054(1.37)		



SALES DRAWING

- NOTES:
1. MATERIAL: COPPER
 2. PLATING: ELECTROPLATE TIN
 3. FERRULE: TIN-PLATED BRASS
 4. INSULATION: RED NYLON
 5. MWID=MAXIMUM WIRE INSULATION DIA.
- ^(B) INTERLEAF PAPER (191660010, 24613) IS REQUIRED ON 190730339, AA-822-10BT REELS.

ADDED: 190730339 EC NO.: ETC2005-0137 DRAWN BY: CHIKOJI CHECKED BY: DENROSS APPROVED BY: DENROSS DATE: 2005/02/15 DATE: 2005/02/15 DATE: 2005/02/15	QUALITY SYMBOLS ▽=0 ▽=0	GENERAL TOLERANCES (UNLESS SPECIFIED)		DIMENSION STYLE	SCALE	DESIGN UNITS	THIRD ANGLE	
				IN/MM	NONE	INCH	PROJECTION	
		4 PLACES	±	---	±	---	DRAWN BY: HEB DATE: 2000/09/08	
		3 PLACES	±	---	±	---	CHECKED BY: RWD DATE: 2000/09/08	
2 PLACES	±	---	±	---	APPROVED BY: RWD DATE: 2000/09/08			
1 PLACE	±	---	±	---	MATERIAL NO. SEE CHART			
ANGULAR		±	---	°	DOCUMENT NO. SD-19073-003			
DRAFT WHERE APPLICABLE MUST REMAIN WITHIN DIMENSIONS		SIZE B		THIS DRAWING CONTAINS INFORMATION THAT IS PROPRIETARY TO MOLEX INCORPORATED AND SHOULD NOT BE USED WITHOUT WRITTEN PERMISSION				