



Excellent Integrated System Limited

Stocking Distributor

Click to view price, real time Inventory, Delivery & Lifecycle Information:

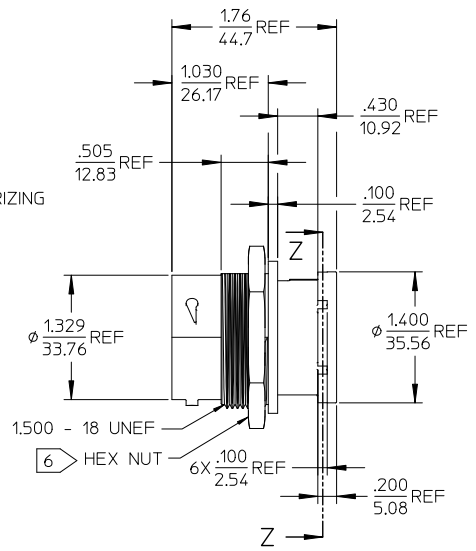
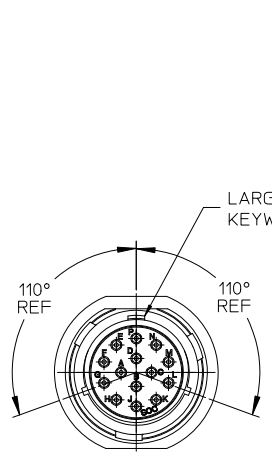
[Molex Connector Corporation](#)
[84508-0001](#)

For any questions, you can email us directly:

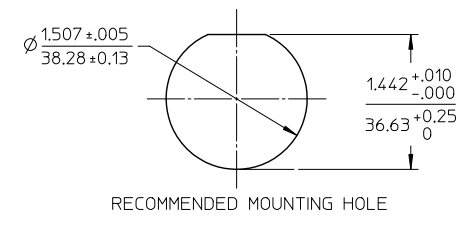
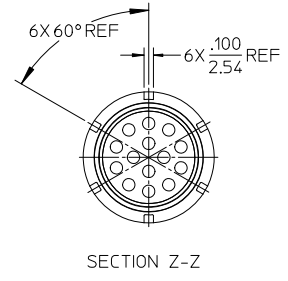
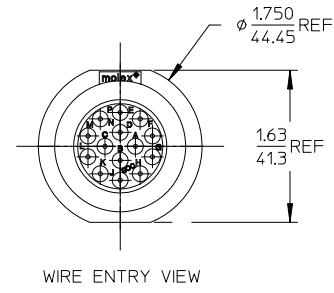
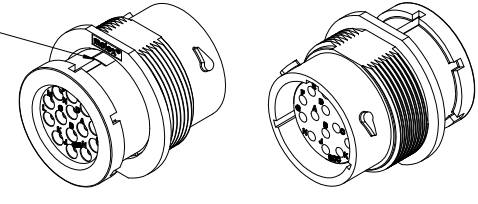
sales@integrated-circuit.com

10	9	8	7	6	5	4	3	2	84508
----	---	---	---	---	---	---	---	---	-------

MATERIAL NUMBER	WIRE AWG	INSUL DIA O.D.
845080001	18-14	.053(1.35) - .134(3.40)



LARGE POLARIZING KEY INDICATOR



- NOTES:
- MATERIALS:
HOUSINGS: POLYESTER (PBT), GLASS FILLED, UL94V-0 & POLYETHERIMIDE (PEI), UNFILLED, UL94V-0.
COLOR, UNLESS OTHERWISE SPECIFIED: BLACK
SEALS: SILICONE RUBBER
COLOR: RUST RED
 - PRODUCT SPECIFICATION: PS-84501-001.
 - MATES WITH: SERIES 84501 PLUG CONNECTOR.
 - USE CONNECTOR WITH FEMALE CRIMP TERMINAL SERIES 84525.
 - ALL COMPONENTS ARE ROHS COMPLIANT.
 - HEX NUT SOLD SEPARATELY, OPTIONAL FOR PANEL MOUNTING.
MOLEX MATERIAL NUMBER 845020004.
 - RECOMMENDED PANEL THICKNESS .062/1.58 TO .187/4.76

UPR: WAVE 01/14/02 WIP: WAVE 01/14/02 EC NO: WNA 2011-0402 DRW: WAVE 2011/01/28 CHKD: WAVE 2011/01/28 APPR: TITUS 2011/02/03	QUALITY SYMBOLS	GENERAL TOLERANCES (UNLESS SPECIFIED)	DIMENSION STYLE	SCALE	DESIGN UNITS	THIRD ANGLE PROJECTION
	▽=0 ▽=0	mm INCH 4 PLACES ± .--- ± .--- 3 PLACES ± .--- ± .015 2 PLACES ± 0.38 ± .02 1 PLACE ± 0.5 ± .--- ANGULAR ± 1 °	IN/MM DRAWN BY: DMYRICK DATE: 2006/6/26 CHECKED BY: JPAWLICKI DATE: 2006/6/26 APPROVED BY: RDEROSS DATE: 2006/6/26	1:1	INCH	
		DRAFT WHERE APPLICABLE MUST REMAIN WITHIN DIMENSIONS	MATERIAL NO. SEE CHART SIZE B THIS DRAWING CONTAINS INFORMATION THAT IS PROPRIETARY TO MOLEX INCORPORATED AND SHOULD NOT BE USED WITHOUT WRITTEN PERMISSION			MOLEX INCORPORATED SD-84508-001 1 OF 1

9	8	7	6	5	4	3	2	1
---	---	---	---	---	---	---	---	---