



Distributor of Hirose Electric Co Ltd: Excellent Integrated System Limited
Datasheet of ZX62D-B-5P8 - Connector Receptacle USB - micro B 2.0 5 Position Surface
Mount, Right Angle, Horizontal

Contact us: sales@integrated-circuit.com Website: www.integrated-circuit.com

Excellent Integrated System Limited

Stocking Distributor

Click to view price, real time Inventory, Delivery & Lifecycle Information:

[Hirose Electric Co Ltd](#)
[ZX62D-B-5P8](#)

For any questions, you can email us directly:
sales@integrated-circuit.com

2015/01/23 03:00:41 ctanke

DRAWING FOR REFERENCE: This is subject to change without notice

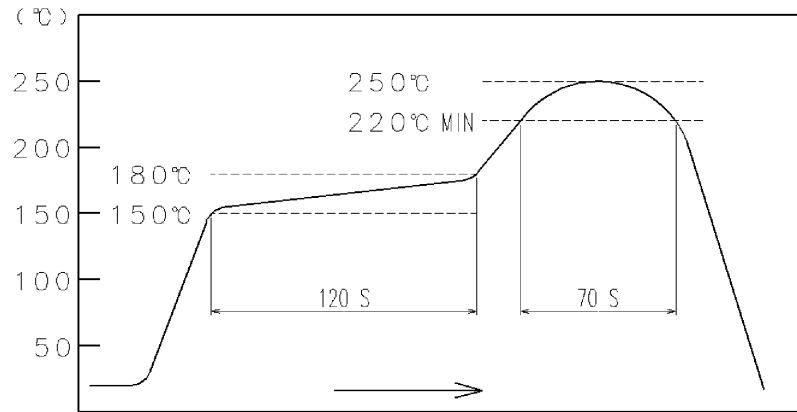
APPLICABLE STANDARD		USB2.0 SPECIFICATION AND MICRO-USB CABLES AND CONNECTORS SPECIFICATION.				
RATING	OPERATING TEMPERATURE RANGE	-30°C TO +85°C	STORAGE TEMPERATURE RANGE	-30°C TO +60°C		
	VOLTAGE	AC 30V	CURRENT	SIGNAL ONLY	1.0 A/pin	
				POWER APPLY	1.8 A/pin (PIN No.1,No.5) 0.5 A/pin (PIN No.2-No.4)	
SPECIFICATIONS						
ITEM	TEST METHOD			REQUIREMENTS	QT	AT
CONSTRUCTION						
GENERAL EXAMINATION	VISUALLY AND BY MEASURING INSTRUMENT.			ACCORDING TO DRAWING.	X	X
MARKING	CONFIRMED VISUALLY.				X	X
ELECTRICAL CHARACTERISTICS						
CONTACT RESISTANCE	100 mA (DC OR 1000 Hz).			30 mΩ MAX.	X	X
INSULATION RESISTANCE	500 V DC.			1000 MΩ MIN.	X	X
VOLTAGE PROOF	100 V AC FOR 1 min.			NO FLASHOVER OR BREAKDOWN.	X	X
CAPACITANCE	MEASURE ADJACENT TWO CONTACTS AT 1000±10 Hz AC VOLTAGE.			2 pF MAX.	X	—
MECHANICAL CHARACTERISTICS						
INSERTION AND WITHDRAWAL FORCES	A MAXIMUM RATE OF 12.5 mm/min MEASURED BY APPLICABLE CONNECTOR			INSERTION FORCE 35 N MAX. WITHDRAWAL FORCE 8 N MIN.	X	—
MECHANICAL OPERATION	10000 TIMES INSERTIONS AND EXTRACTIONS. MATING SPEED - MECHANICALLY OPERATED : 500 CYCLES / h OR - MANUALLY OPERATED : 200 CYCLES / h			1) CONTACT RESISTANCE: NO INCREASE OF MORE THAN 10 mΩ FROM INITIAL VALUE. 2) INSERTION FORCE 35 N MAX. WITHDRAWAL FORCE 8 N MIN. 3) NO DAMAGE, CRACK AND LOOSENESS OF PARTS.	X	—
VIBRATION	FREQUENCY 10 TO 55 Hz SINGLE AMPLITUDE 0.75 mm, AT 2h, FOR 3 AXIAL DIRECTIONS, TOTAL 6 h.			1) NO ELECTRICAL DISCONTINUITY OF 1μs. 2) NO DAMAGE, CRACK AND LOOSENESS OF PARTS.	X	—
RANDOM VIBRATION	FREQUENCY 50 TO 2000 Hz AT 15 min, FOR 3 AXIAL DIRECTIONS.				X	—
SHOCK	490 m/s ² DIRECTIONS OF PULSE 11 ms AT 3 TIMES FOR 6 DIRECTIONS, TOTAL 18 TIMES.				X	—
ENVIRONMENTAL CHARACTERISTICS						
THERMAL SHOCK	TEMP -55 →+15 TO +35→+85→+15 TO+ 35 °C TIME 30 → 2 TO 3 → 30→ 2 TO 3 min UNDER 10 CYCLES. (MATING APPLICABLE CONNECTOR)			1) CONTACT RESISTANCE: 70 mΩ MAX. 2) INSULATION RESISTANCE: 10 MΩ MIN. 3) NO DAMAGE, CRACK AND LOOSENESS OF PARTS.	X	—
HUMIDITY LIFE	TEMPERATURE -10~65 °C, HUMIDITY 90 TO 98 %, UNDER 7 CYCLES (168 h) (MATING APPLICABLE CONNECTOR)			NO DAMAGE, CRACK AND LOOSENESS OF PARTS.	X	—
DRY HEAT	EXPOSED AT 85±2 °C, 96 h. (MATING APPLICABLE CONNECTOR)			NO DAMAGE, CRACK AND LOOSENESS OF PARTS.	X	—
COLD	EXPOSED AT -40±2 °C, 96 h. (MATING APPLICABLE CONNECTOR)			NO DAMAGE, CRACK AND LOOSENESS OF PARTS.	X	—
CORROSION SALT MIST	EXPOSED AT 5 % SALT WATER, 35 °C, FOR 48h. (LEFT UNDER UNMATED CONDITION)			NO HEAVY CORROSION OF CONTACTS.	X	—
SOLDERABILITY	SOLDERING POINT IMMERSED IN SOLDER BATH OF 255±5°C, 5 sec. (USING TYPE R FLAX)			SOLDER SHALL COVER MINIMUM OF 95% OF THE SURFACE BEING IMMERSED.	X	—
	COUNT	DESCRIPTION OF REVISIONS		DESIGNED	CHECKED	DATE
	5	DIS-E-002889		ER. WAKIKAWA	KN. ICHIKAWA	09. 08. 18
REMARK				APPROVED	AO. SUZUKI	07. 07. 03
HIROSE will not guarantee the performance on these specifications In case this product will be mated with the others which is not HIROSE's.				CHECKED	KN. ICHIKAWA	07. 07. 03
Unless otherwise specified, refer to USB2.0 or EIA 364 .				DESIGNED	HK. TANAKA	07. 07. 03
				DRAWN	HK. TANAKA	07. 07. 03
Note QT:Qualification Test AT:Assurance Test X:Applicable Test			DRAWING NO.		ELC4-126367-00	
	SPECIFICATION SHEET			PART NO.	ZX62D-B-5P8	
	HIROSE ELECTRIC CO., LTD.			CODE NO.	CL242-0034-0-00	

2015/01/23 03:00:41 ctanke

DRAWING FOR REFERENCE: This is subject to change without notice

SPECIFICATIONS

ITEM	TEST METHOD	REQUIREMENTS	QT	AT
RESISTANCE TO SOLDERING HEAT	A PROFILE IS SHOWN IN FIG-1, UNDER 2 CYCLES.	NO DAMAGE, CRACK AND LOOSENESS OF PARTS.	X	-



**FIG - 1 RESISTANCE TO SOLDERING HEAT
 (TEMPERATURE AT TOP SURFACE OF CONNECTOR)**

■ RECOMMENDED PROFILE REFERS TO FIG - 2.
 (TEMPERATURE AT SMT LEADS)

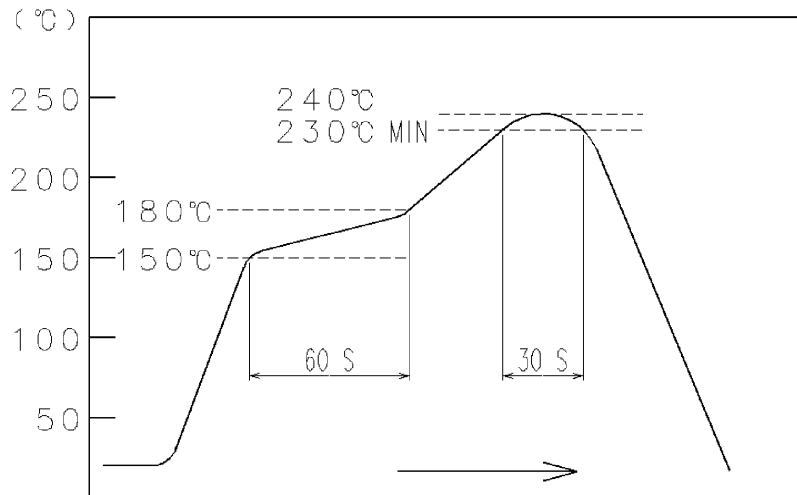


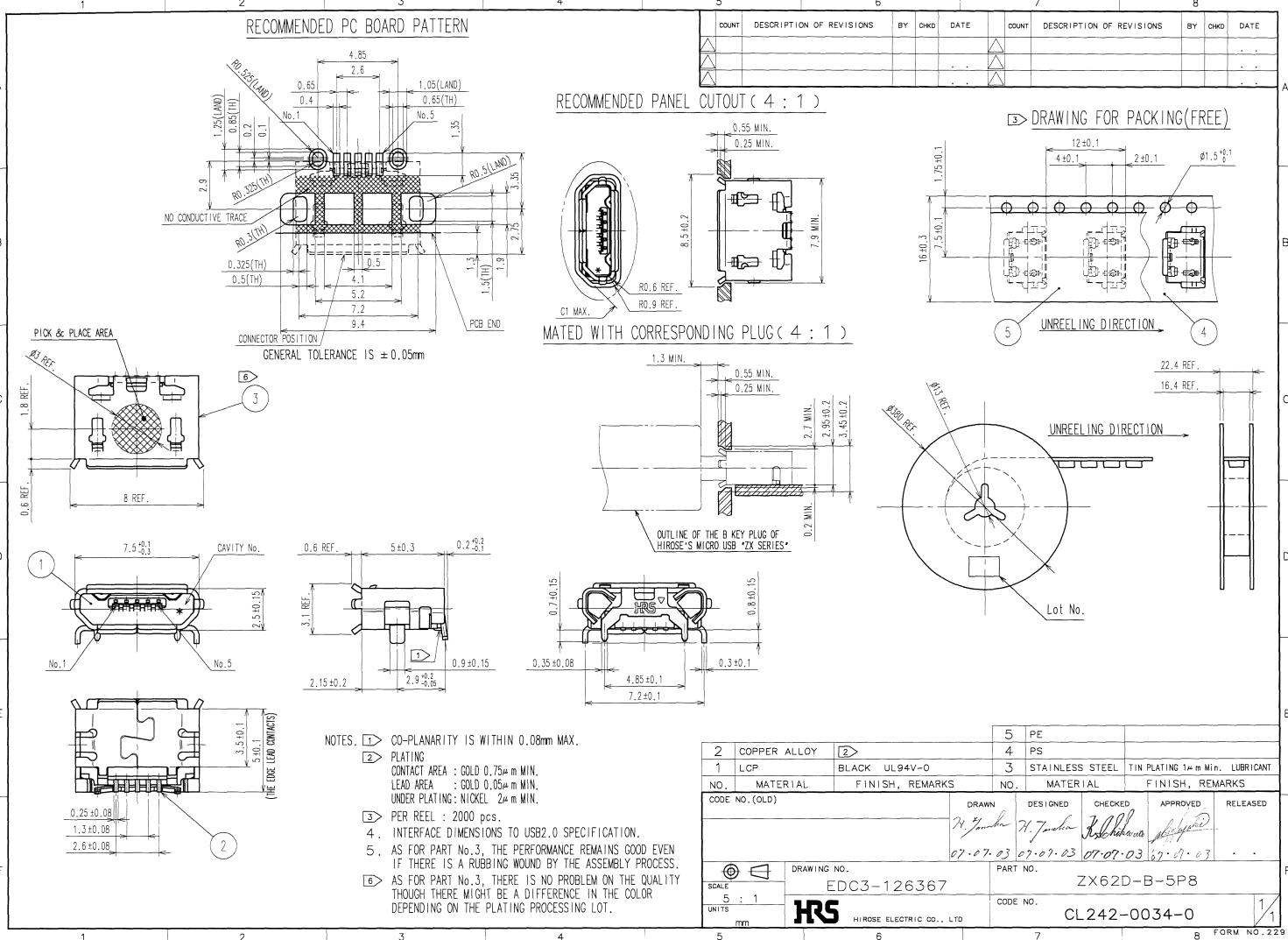
FIG - 2 RECOMMENDED REFLOW PROFILE TEMPERATURE

Note QT:Qualification Test AT:Assurance Test X:Applicable Test		DRAWING NO. ELC4-126367-00	
HRS	SPECIFICATION SHEET	PART NO.	ZX62D-B-5P8
	HIROSE ELECTRIC CO., LTD.	CODE NO	CL242-0034-0-00 △ 2/2

2015/01/23 03:00:41 ctanke

DRAWING FOR REFERENCE: This is subject to change without notice

TO



COUNT	DESCRIPTION OF REVISIONS	BY	CHKD	DATE	COUNT	DESCRIPTION OF REVISIONS	BY	CHKD	DATE

2	COPPER ALLOY	5	PE
1	LCP	4	PS
		3	STAINLESS STEEL
			TIN PLATING 1µm MIN. LUBRICANT

NO.	MATERIAL	FINISH	REMARKS	NO.	MATERIAL	FINISH	REMARKS

CODE NO. (OLD)	DRAWN	DESIGNED	CHECKED	APPROVED	RELEASED

SCALE	EDC3-126367	PART NO.	ZX62D-B-5P8
UNITS	5 : 1	CODE NO.	CL242-0034-0
HRS HIROSE ELECTRIC CO., LTD		FORM NO. 229	