

Excellent Integrated System Limited

Stocking Distributor

Click to view price, real time Inventory, Delivery & Lifecycle Information:

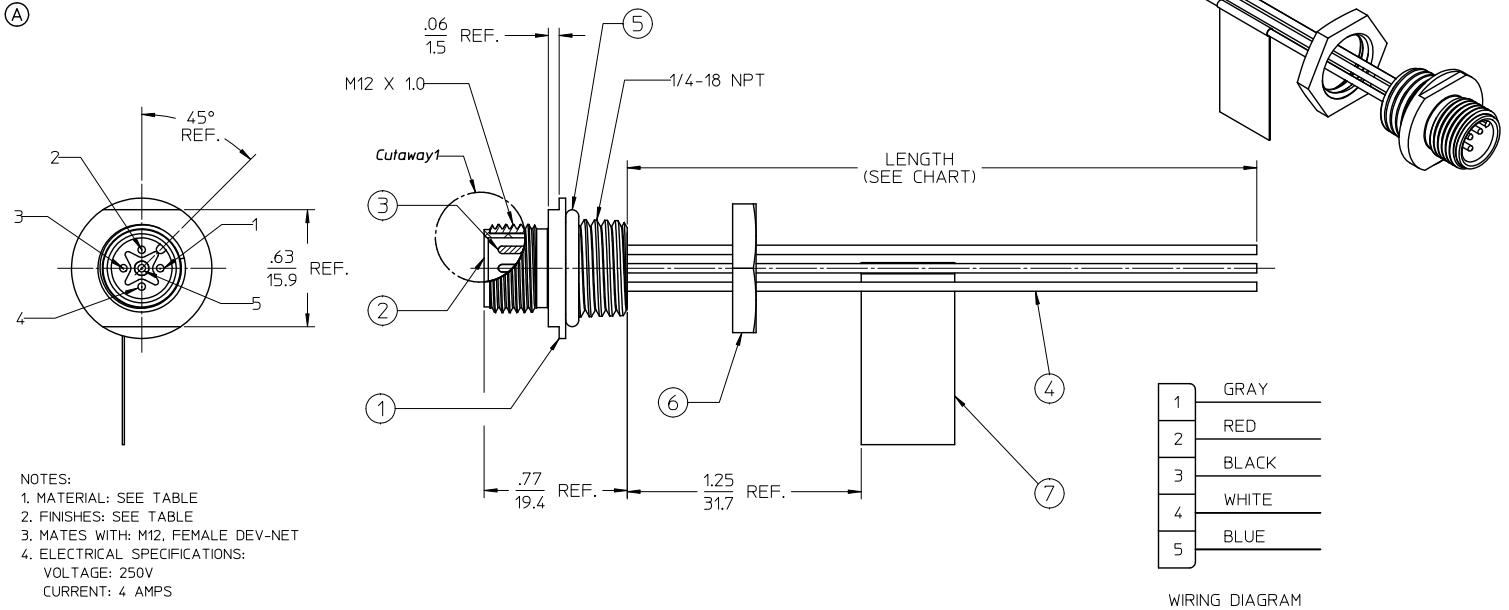
[Molex Connector Corporation](#)
[84864-9001](#)

For any questions, you can email us directly:

sales@integrated-circuit.com

10	9	8	7	6	5	4	3	2	84864
MATERIAL NO.	ENGINEERING NO.	LENGTH							
848649001	84864-9001	12.00 +1.75-0 (305.0+44.5-0)							

REF. THIS DRAWING SUPERSEDES SD-84864-001 REV-A



- NOTES:
1. MATERIAL: SEE TABLE
 2. FINISHES: SEE TABLE
 3. MATES WITH: M12, FEMALE DEV-NET
 4. ELECTRICAL SPECIFICATIONS:
VOLTAGE: 250V
CURRENT: 4 AMPS

7	1	FLAG LABEL	PLASTIC FILM	BLACK/YELLOW
6	1	PANEL NUT	BRASS	NICKEL PLATED
5	1	O-RING	BUNA-N	BLACK
4	5	WIRE, 22-1, UL 1061	PVC INSULATION	SEE WIRE DIAGRAM
3	5	CONTACT PIN	Cu ALLOY	GOLD PLATED
2	1	INSERT, 5P, MALE	NYLON	BLACK
1	1	RECEPTACLE SHELL	BRASS	NICKEL PLATED
ITEM	QTY.	DESCRIPTION	MATERIAL	FINISH

REV D & REDRAWN EC NO: WNA2011-0180 DRAWN BY: DRWINSTONE 2010/10/05 CHECKED BY: CHKOZK-JOZWIK 2010/10/07 APPR: JFMURPHY	QUALITY SYMBOLS ▽=0 ▽=0	GENERAL TOLERANCES (UNLESS SPECIFIED)		DIMENSION STYLE IN/MM		SCALE 2:1	DESIGN UNITS INCH	THIRD ANGLE PROJECTION		
		4 PLACES ± .01 ± .001	3 PLACES ± .01 ± .001	2 PLACES ± .01 ± .001	1 PLACE ± 0.25 ± .001	DRAWN BY: RSTONE 2010/10/05 CHECKED BY: K. JOZWIK 2010/10/07 APPROVED BY: JFMURPHY 2010/10/07	TITLE: MIC RECEPTACLE, 5P A-CODE, 22 AWG 1/4-18 NPT			
		ANGULAR ± 2°		DRAFT WHERE APPLICABLE MUST REMAIN WITHIN DIMENSIONS		SEE CHART		MOLEX INCORPORATED DOCUMENT NO. SD-84864-007		
		SIZE B		THIS DRAWING CONTAINS INFORMATION THAT IS PROPRIETARY TO MOLEX INCORPORATED AND SHOULD NOT BE USED WITHOUT WRITTEN PERMISSION						