

## **Excellent Integrated System Limited**

Stocking Distributor

Click to view price, real time Inventory, Delivery & Lifecycle Information:

[NXP Semiconductors](#)

[MRF6VP41KHR7](#)

For any questions, you can email us directly:

[sales@integrated-circuit.com](mailto:sales@integrated-circuit.com)

**Freescale Semiconductor**  
 Technical Data

Document Number: MRF6VP41KH  
 Rev. 6, 4/2012



# RF Power Field Effect Transistors

## N-Channel Enhancement-Mode Lateral MOSFETs

Designed for pulse and CW wideband applications with frequencies up to 500 MHz. Devices are unmatched and are suitable for use in industrial, medical and scientific applications.

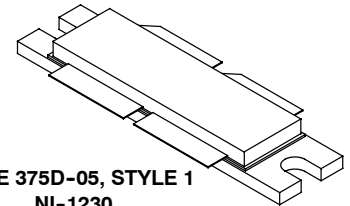
- Typical Pulse Performance at 450 MHz:  $V_{DD} = 50$  Volts,  $I_{DQ} = 150$  mA,  $P_{out} = 1000$  Watts Peak (200 W Avg.), Pulse Width = 100  $\mu$ sec, Duty Cycle = 20%  
 Power Gain — 20 dB  
 Drain Efficiency — 64%
- Capable of Handling 10:1 VSWR @ 50 Vdc, 450 MHz, 1000 Watts Peak Power

**Features**

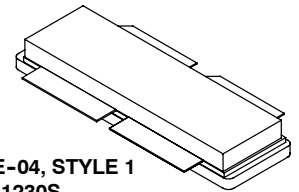
- Characterized with Series Equivalent Large-Signal Impedance Parameters
- CW Operation Capability with Adequate Cooling
- Qualified Up to a Maximum of 50  $V_{DD}$  Operation
- Integrated ESD Protection
- Designed for Push-Pull Operation
- Greater Negative Gate-Source Voltage Range for Improved Class C Operation
- In Tape and Reel. R6 Suffix = 150 Units per 56 mm, 13 inch Reel. For R5 Tape and Reel option, see p. 17.

**MRF6VP41KHR6**  
**MRF6VP41KHSR6**

**10-500 MHz, 1000 W, 50 V**  
**LATERAL N-CHANNEL**  
**BROADBAND**  
**RF POWER MOSFETs**

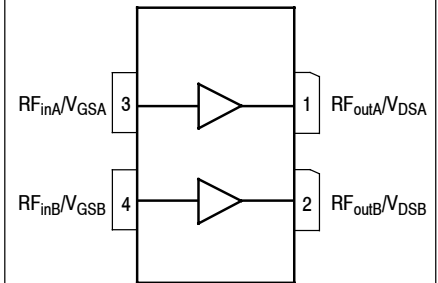


**CASE 375D-05, STYLE 1**  
**NI-1230**  
**MRF6VP41KHR6**



**CASE 375E-04, STYLE 1**  
**NI-1230S**  
**MRF6VP41KHSR6**

**PARTS ARE PUSH-PULL**



(Top View)

**Figure 1. Pin Connections**

**Table 1. Maximum Ratings**

Rating	Symbol	Value	Unit
Drain-Source Voltage	$V_{DSS}$	-0.5, +110	Vdc
Gate-Source Voltage	$V_{GS}$	-6, +10	Vdc
Storage Temperature Range	$T_{stg}$	-65 to +150	$^{\circ}$ C
Case Operating Temperature	$T_C$	150	$^{\circ}$ C
Operating Junction Temperature (1,2)	$T_J$	225	$^{\circ}$ C
Total Device Dissipation @ $T_C = 25^{\circ}$ C, CW only (3)	$P_D$	1333	W

1. Continuous use at maximum temperature will affect MTTF.
2. MTTF calculator available at <http://www.freescale.com/rf>. Select Software & Tools/Development Tools/Calculators to access MTTF calculators by product.
3. Refer to Fig. 12, Transient Thermal Impedance, for information to calculate value for pulsed operation.

**Table 2. Thermal Characteristics**

Characteristic	Symbol	Value (1,2)	Unit
Thermal Impedance, Junction to Case Pulse: Case Temperature 80°C, 1000 W Peak, 100 μsec Pulse Width, 20% Duty Cycle, 450 MHz (3)	$Z_{\theta JC}$	0.03	°C/W
Thermal Resistance, Junction to Case CW: Case Temperature 84°C, 1000 W CW, 352.2 MHz	$R_{\theta JC}$	0.15	°C/W

**Table 3. ESD Protection Characteristics**

Test Methodology	Class
Human Body Model (per JESD22-A114)	2, passes 2000 V
Machine Model (per EIA/JESD22-A115)	A, passes 125 V
Charge Device Model (per JESD22-C101)	IV, passes 2000 V

**Table 4. Electrical Characteristics** ( $T_A = 25^\circ\text{C}$  unless otherwise noted)

Characteristic	Symbol	Min	Typ	Max	Unit
----------------	--------	-----	-----	-----	------

**Off Characteristics (4)**

Gate-Source Leakage Current ( $V_{GS} = 5 \text{ Vdc}$ , $V_{DS} = 0 \text{ Vdc}$ )	$I_{GSS}$	—	—	10	μAdc
Drain-Source Breakdown Voltage ( $I_D = 300 \text{ mA}$ , $V_{GS} = 0 \text{ Vdc}$ )	$V_{(BR)DSS}$	110	—	—	Vdc
Zero Gate Voltage Drain Leakage Current ( $V_{DS} = 50 \text{ Vdc}$ , $V_{GS} = 0 \text{ Vdc}$ )	$I_{DSS}$	—	—	100	μAdc
Zero Gate Voltage Drain Leakage Current ( $V_{DS} = 100 \text{ Vdc}$ , $V_{GS} = 0 \text{ Vdc}$ )	$I_{DSS}$	—	—	5	mA

**On Characteristics**

Gate Threshold Voltage (4) ( $V_{DS} = 10 \text{ Vdc}$ , $I_D = 1600 \mu\text{Adc}$ )	$V_{GS(th)}$	1	1.68	3	Vdc
Gate Quiescent Voltage (5) ( $V_{DD} = 50 \text{ Vdc}$ , $I_D = 150 \text{ mAdc}$ , Measured in Functional Test)	$V_{GS(Q)}$	1.5	2.2	3.5	Vdc
Drain-Source On-Voltage (4) ( $V_{GS} = 10 \text{ Vdc}$ , $I_D = 4 \text{ Adc}$ )	$V_{DS(on)}$	—	0.28	—	Vdc

**Dynamic Characteristics (4)**

Reverse Transfer Capacitance ( $V_{DS} = 50 \text{ Vdc} \pm 30 \text{ mV(rms)ac}$ @ 1 MHz, $V_{GS} = 0 \text{ Vdc}$ )	$C_{rss}$	—	3.3	—	pF
Output Capacitance ( $V_{DS} = 50 \text{ Vdc} \pm 30 \text{ mV(rms)ac}$ @ 1 MHz, $V_{GS} = 0 \text{ Vdc}$ )	$C_{oss}$	—	147	—	pF
Input Capacitance ( $V_{DS} = 50 \text{ Vdc}$ , $V_{GS} = 0 \text{ Vdc} \pm 30 \text{ mV(rms)ac}$ @ 1 MHz)	$C_{iss}$	—	506	—	pF

**Functional Tests (5)** (In Freescale Test Fixture, 50 ohm system)  $V_{DD} = 50 \text{ Vdc}$ ,  $I_{DQ} = 150 \text{ mA}$ ,  $P_{out} = 1000 \text{ W Peak}$  (200 W Avg.),  $f = 450 \text{ MHz}$ , 100 μsec Pulse Width, 20% Duty Cycle

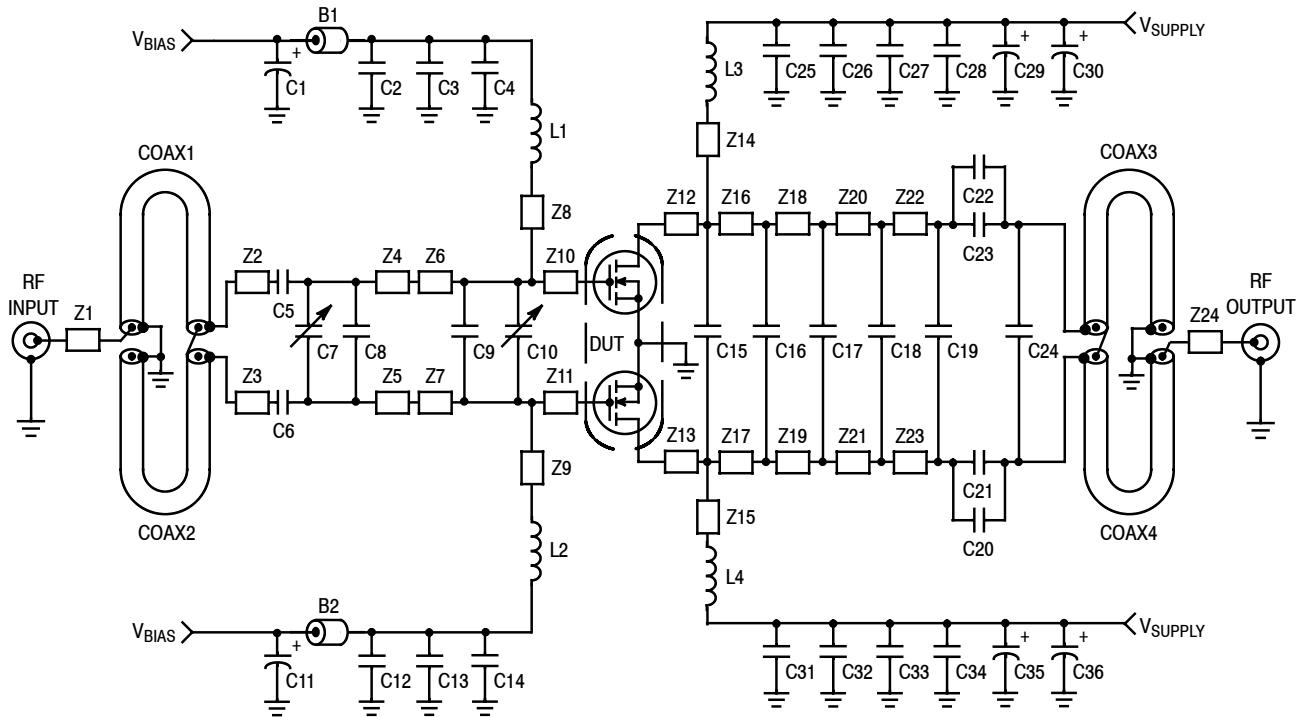
Power Gain	$G_{ps}$	19	20	22	dB
Drain Efficiency	$\eta_D$	60	64	—	%
Input Return Loss	IRL	—	-18	-9	dB

1. MTTF calculator available at <http://www.freescale.com/rf>. Select Software & Tools/Development Tools/Calculators to access MTTF calculators by product.
2. Refer to AN1955, *Thermal Measurement Methodology of RF Power Amplifiers*. Go to <http://www.freescale.com/rf>. Select Documentation/Application Notes - AN1955.
3. Refer to Fig. 12, Transient Thermal Impedance, for other pulsed conditions.
4. Each side of device measured separately.
5. Measurement made with device in push-pull configuration.

(continued)

**Table 4. Electrical Characteristics** ( $T_A = 25^\circ\text{C}$  unless otherwise noted) (continued)

Characteristic	Symbol	Min	Typ	Max	Unit
<b>Typical Performance — 352.2 MHz</b> (In Freescale 352.2 MHz Test Fixture, 50 ohm system) $V_{DD} = 50\text{ Vdc}$ , $I_{DQ} = 150\text{ mA}$ , $P_{out} = 1000\text{ W CW}$					
Power Gain	$G_{ps}$	—	20.1	—	dB
Drain Efficiency	$\eta_D$	—	67	—	%
Input Return Loss	IRL	—	-10.2	—	dB
<b>Typical Performance — 500 MHz</b> (In Freescale 500 MHz Test Fixture, 50 ohm system) $V_{DD} = 50\text{ Vdc}$ , $I_{DQ} = 150\text{ mA}$ , $P_{out} = 1000\text{ W Peak}$ (200 W Avg.), $f = 500\text{ MHz}$ , 100 $\mu\text{sec}$ Pulse Width, 20% Duty Cycle					
Power Gain	$G_{ps}$	—	19.5	—	dB
Drain Efficiency	$\eta_D$	—	66	—	%
Input Return Loss	IRL	—	-23	—	dB



- |          |                            |                    |  |
|----------|----------------------------|--------------------|--|
| Z1       | 0.366" x 0.082" Microstrip | Z14*, Z15*         | 0.764" x 0.150" Microstrip                                 |
| Z2*, Z3* | 0.170" x 0.100" Microstrip | Z16, Z17           | 0.290" x 0.430" Microstrip                                 |
| Z4*, Z5* | 0.220" x 0.451" Microstrip | Z18, Z19           | 0.100" x 0.430" Microstrip                                 |
| Z6, Z7   | 0.117" x 0.726" Microstrip | Z20, Z21, Z22, Z23 | 0.080" x 0.430" Microstrip                                 |
| Z8*, Z9* | 0.792" x 0.058" Microstrip | Z24                | 0.257" x 0.215" Microstrip                                 |
| Z10, Z11 | 0.316" x 0.726" Microstrip | PCB                | Arlon CuClad 250GX-0300-55-22, 0.030", $\epsilon_r = 2.55$ |
| Z12, Z13 | 0.262" x 0.507" Microstrip |                    |  |
- \* Line length includes microstrip bends

Figure 2. MRF6VP41KHR6(HSR6) Pulse Test Circuit Schematic — 450 MHz

Table 5. MRF6VP41KHR6(HSR6) Pulse Test Circuit Component Designations and Values — 450 MHz

Part	Description	Part Number	Manufacturer
B1, B2	47 $\Omega$ , 100 MHz Short Ferrite Beads	2743019447	Fair-Rite
C1, C11	47 $\mu$ F, 50 V Electrolytic Capacitors	476KXM063M	Illinois
C2, C12, C28, C34	0.1 $\mu$ F Chip Capacitors	CDR33BX104AKYS	Kemet
C3, C13, C27, C33	220 nF, 50 V Chip Capacitors	C1812C224K5RAC	Kemet
C4, C14	2.2 $\mu$ F, 50 V Chip Capacitors	C1825C225J5RAC	Kemet
C5, C6, C8, C15	27 pF Chip Capacitors	ATC100B270JT500XT	ATC
C7, C10	0.8-8.0 pF Variable Capacitors	27291SL	Johanson Components
C9	33 pF Chip Capacitor	ATC100B330JT500XT	ATC
C16	12 pF Chip Capacitor	ATC100B120JT500XT	ATC
C17	10 pF Chip Capacitor	ATC100B100JT500XT	ATC
C18	9.1 pF Chip Capacitor	ATC100B9R1CT500XT	ATC
C19	8.2 pF Chip Capacitor	ATC100B8R2CT500XT	ATC
C20, C21, C22, C23, C25, C32	240 pF Chip Capacitors	ATC100B241JT200XT	ATC
C24	5.6 pF Chip Capacitor	ATC100B5R6CT500XT	ATC
C26, C31	2.2 $\mu$ F, 100 V Chip Capacitors	2225X7R225KT3AB	ATC
C29, C30, C35, C36	330 $\mu$ F, 63 V Electrolytic Capacitors	EMVY630GTR331MMH0S	Nippon Chemi-Con
Coax1, 2, 3, 4	25 $\Omega$ Semi Rigid Coax, 2.2" Shield Length	UT-141C-25	Micro-Coax
L1, L2	2.5 nH, 1 Turn Inductors	A01TKLC	Coilcraft
L3, L4	43 nH, 10 Turn Inductors	B10TJLC	Coilcraft

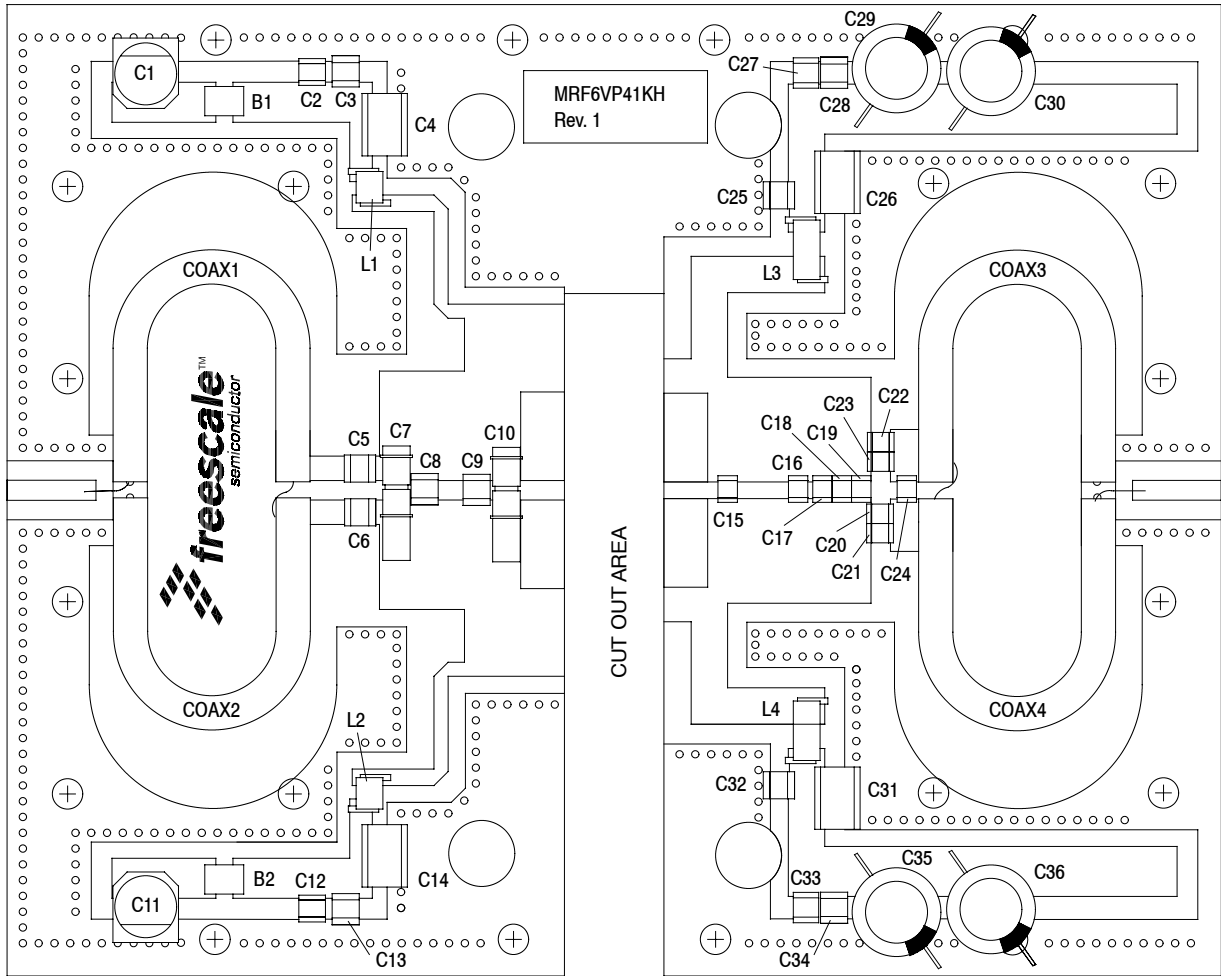
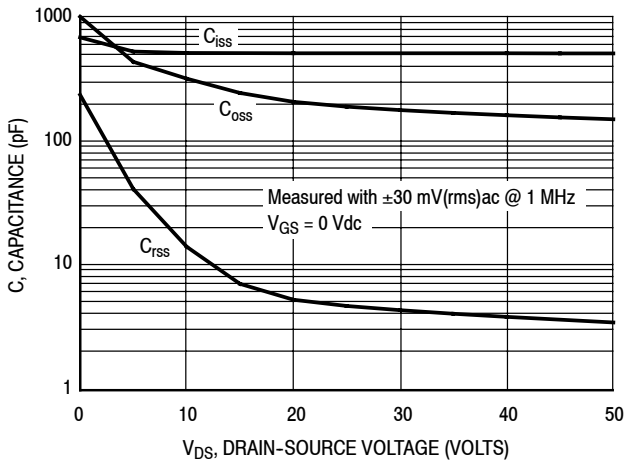


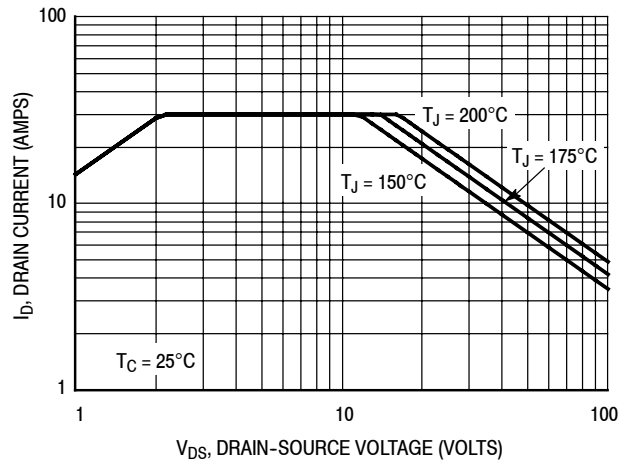
Figure 3. MRF6VP41KHR6(HSR6) Pulse Test Circuit Component Layout — 450 MHz

TYPICAL CHARACTERISTICS



Note: Each side of device measured separately.

Figure 4. Capacitance versus Drain-Source Voltage



Note: Each side of device measured separately.

Figure 5. DC Safe Operating Area

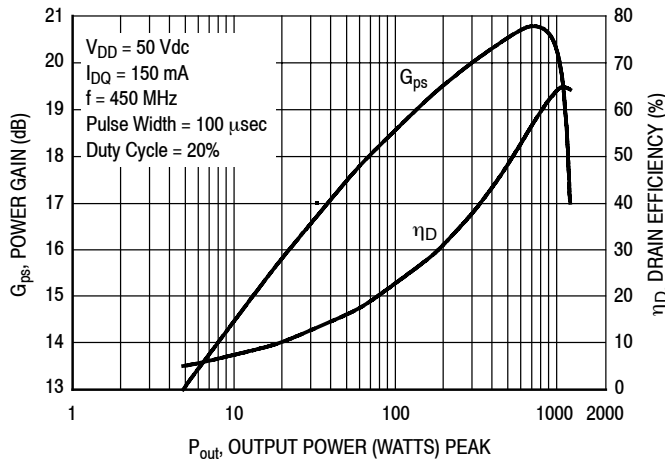


Figure 6. Power Gain and Drain Efficiency versus Output Power

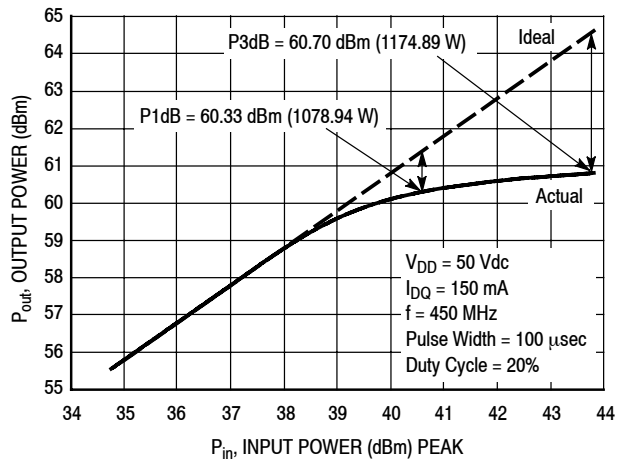


Figure 7. Output Power versus Input Power

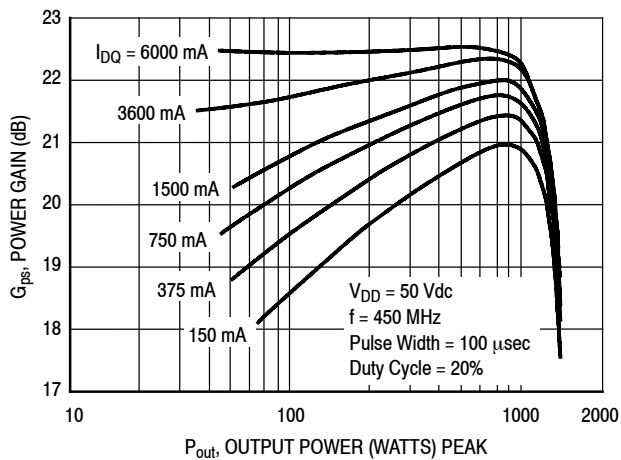


Figure 8. Power Gain versus Output Power

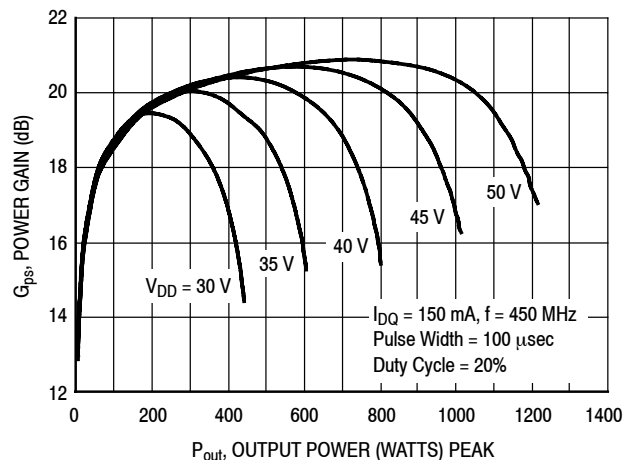


Figure 9. Power Gain versus Output Power

TYPICAL CHARACTERISTICS

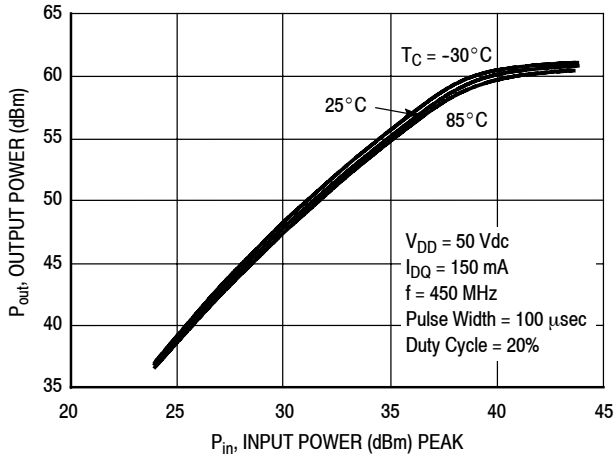


Figure 10. Output Power versus Input Power

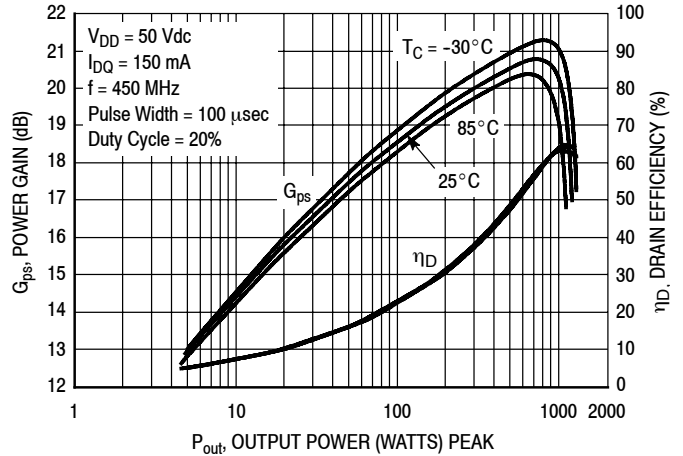


Figure 11. Power Gain and Drain Efficiency versus Output Power

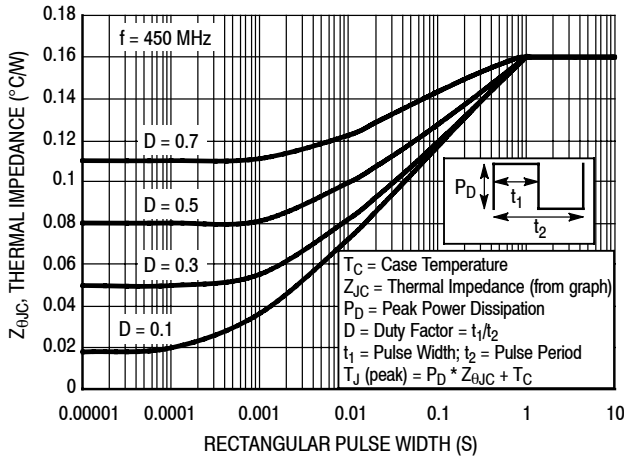
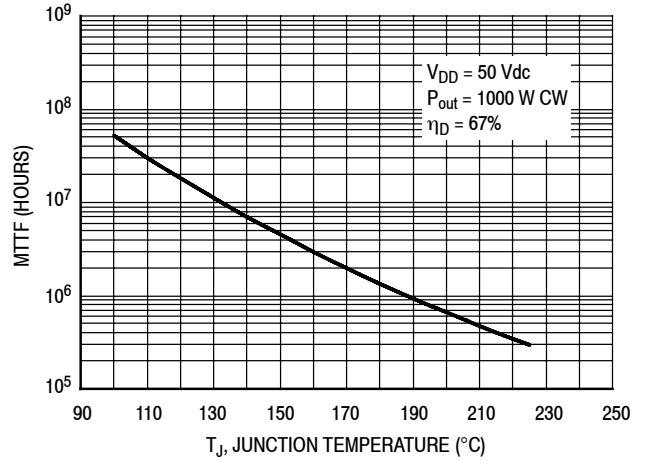


Figure 12. Transient Thermal Impedance

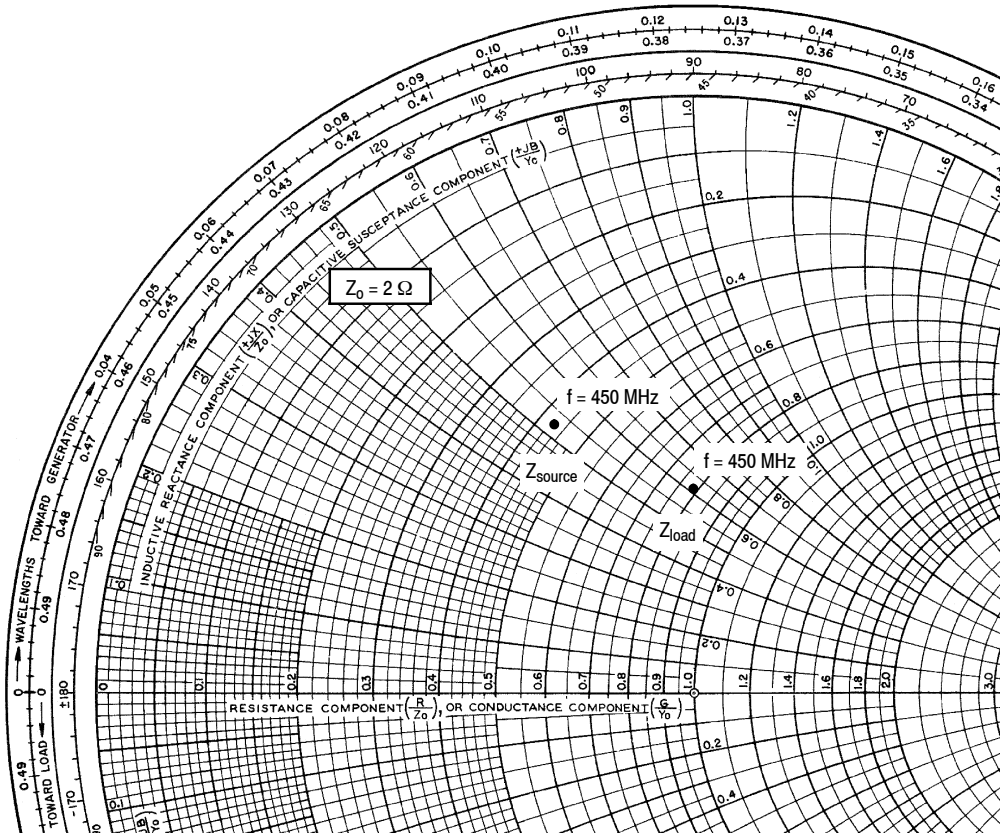


MTTF calculator available at <http://www.freescale.com/rf>. Select Software & Tools/Development Tools/Calculators to access MTTF calculators by product.

NOTE: For pulse applications or CW conditions, use the MTTF calculator referenced above.

Figure 13. MTTF versus Junction Temperature - CW





$V_{DD} = 50 \text{ Vdc}$ ,  $I_{DQ} = 150 \text{ mA}$ ,  $P_{out} = 1000 \text{ W Peak}$

f MHz	$Z_{source}$ $\Omega$	$Z_{load}$ $\Omega$
450	$0.86 + j1.06$	$1.58 + j1.22$

$Z_{source}$  = Test circuit impedance as measured from gate to gate, balanced configuration.

$Z_{load}$  = Test circuit impedance as measured from drain to drain, balanced configuration.

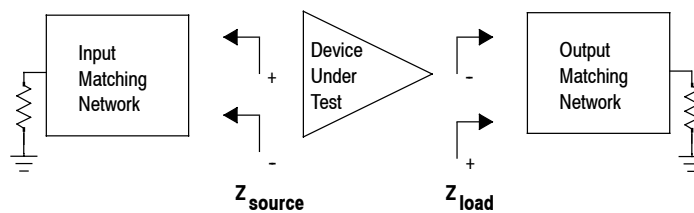


Figure 14. Series Equivalent Source and Load Impedance — 450 MHz

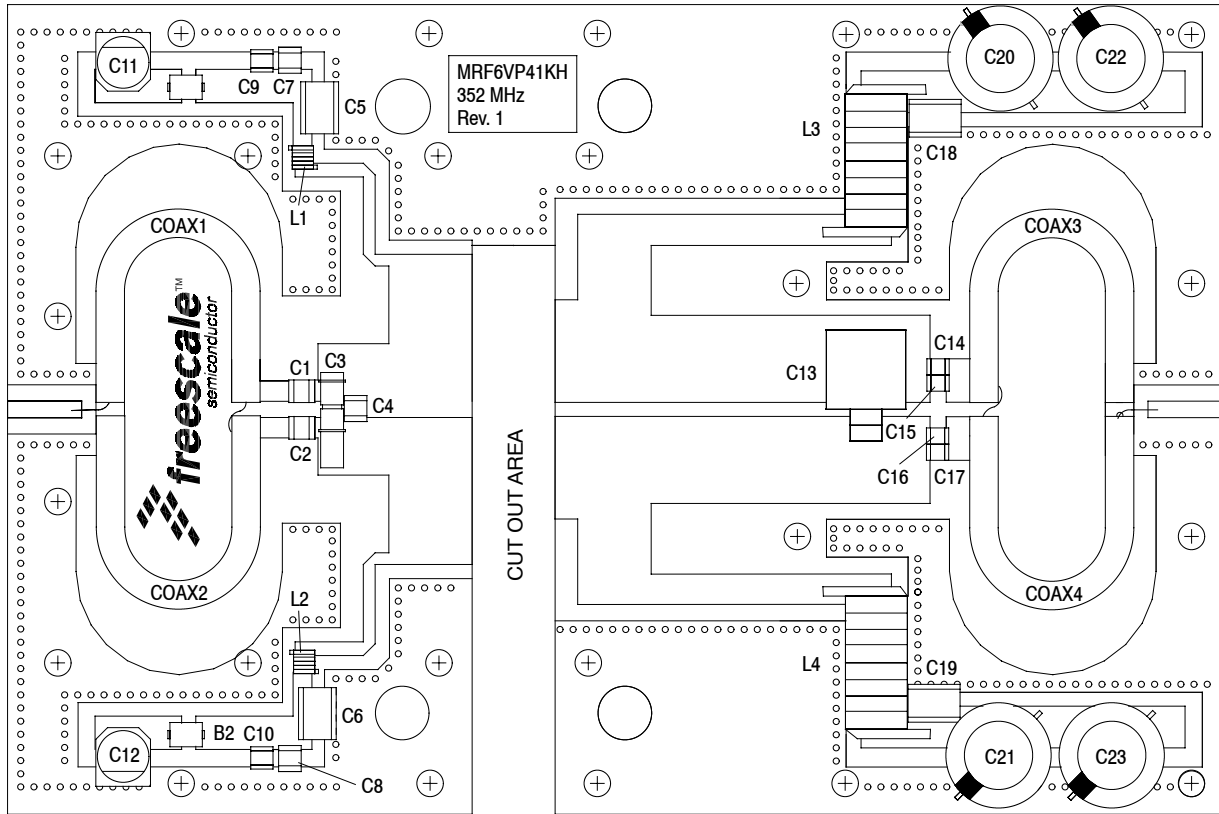
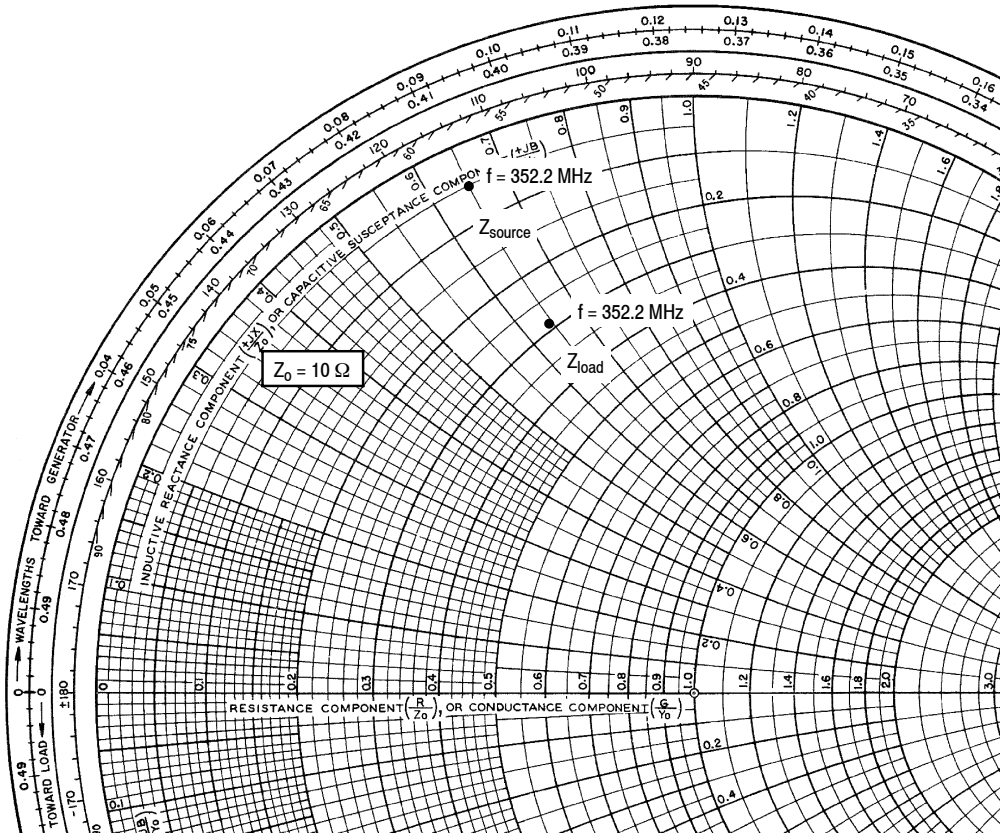


Figure 15. MRF6VP41KHR6(HSR6) Test Circuit Component Layout — 352.2 MHz

Table 6. MRF6VP41KHR6(HSR6) Test Circuit Component Designations and Values — 352.2 MHz

Part	Description	Part Number	Manufacturer
B1, B2	47 $\Omega$ , 100 MHz Short Ferrite Beads	2743019447	Fair-Rite
C1, C2	27 pF Chip Capacitors	ATC100B270JT500XT	ATC
C3	0.8-8.0 pF Variable Capacitor, Gigatrim	27291SL	Johanson
C4	75 pF Chip Capacitor	ATC100B750JT500XT	ATC
C5, C6	2.2 $\mu$ F Chip Capacitors	C1825C225J5RAC	Kemet
C7, C8	220 nF Chip Capacitors	C1812C224J5RAC	Kemet
C9, C10	0.1 $\mu$ F Chip Capacitors	CDR33BX104AKYS	AVX
C11, C12	47 $\mu$ F, 50 V Electrolytic Capacitors	476KXM050M	Illinois Cap
C13	36 pF 500 V Chip Capacitor	MCM01-009ED360J-F	CDE
C14, C15, C16, C17	240 pF Chip Capacitors	ATC100B241JT200XT	ATC
C18, C19	2.2 $\mu$ F Chip Capacitors	G2225X7R225KT3AB	ATC
C20, C21, C22, C23	470 $\mu$ F, 63 V Electrolytic Capacitors	MCRH63V477M13X21-RH	Multicomp
Coax1, 2, 3, 4	25 $\Omega$ Semi Rigid Coax, 2.2" Shield Length	UT141-25	Precision Tube Company
L1, L2	2.5 nH Inductors	A01T	Coilcraft
L3, L4	10 Turn #16 AWG ID=0.160" Inductors, Hand Wound	Copper Wire	Freescale
PCB	Arlon CuClad 250GX-0300-55-22, 0.030", $\epsilon_r = 2.55$	DS2655	DS Electronics



$V_{DD} = 50 \text{ Vdc}$ ,  $I_{DQ} = 150 \text{ mA}$ ,  $P_{out} = 1000 \text{ W CW}$

f MHz	Z <sub>source</sub> Ω	Z <sub>load</sub> Ω
352.2	0.5 + j6.5	2.9 + j6.35

Z<sub>source</sub> = Test circuit impedance as measured from gate to gate, balanced configuration.

Z<sub>load</sub> = Test circuit impedance as measured from drain to drain, balanced configuration.

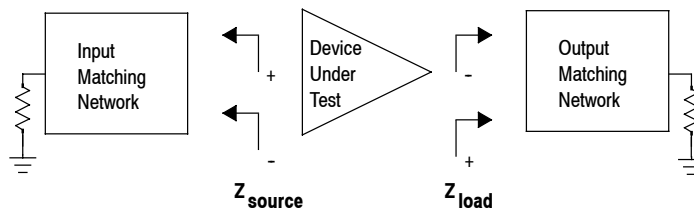
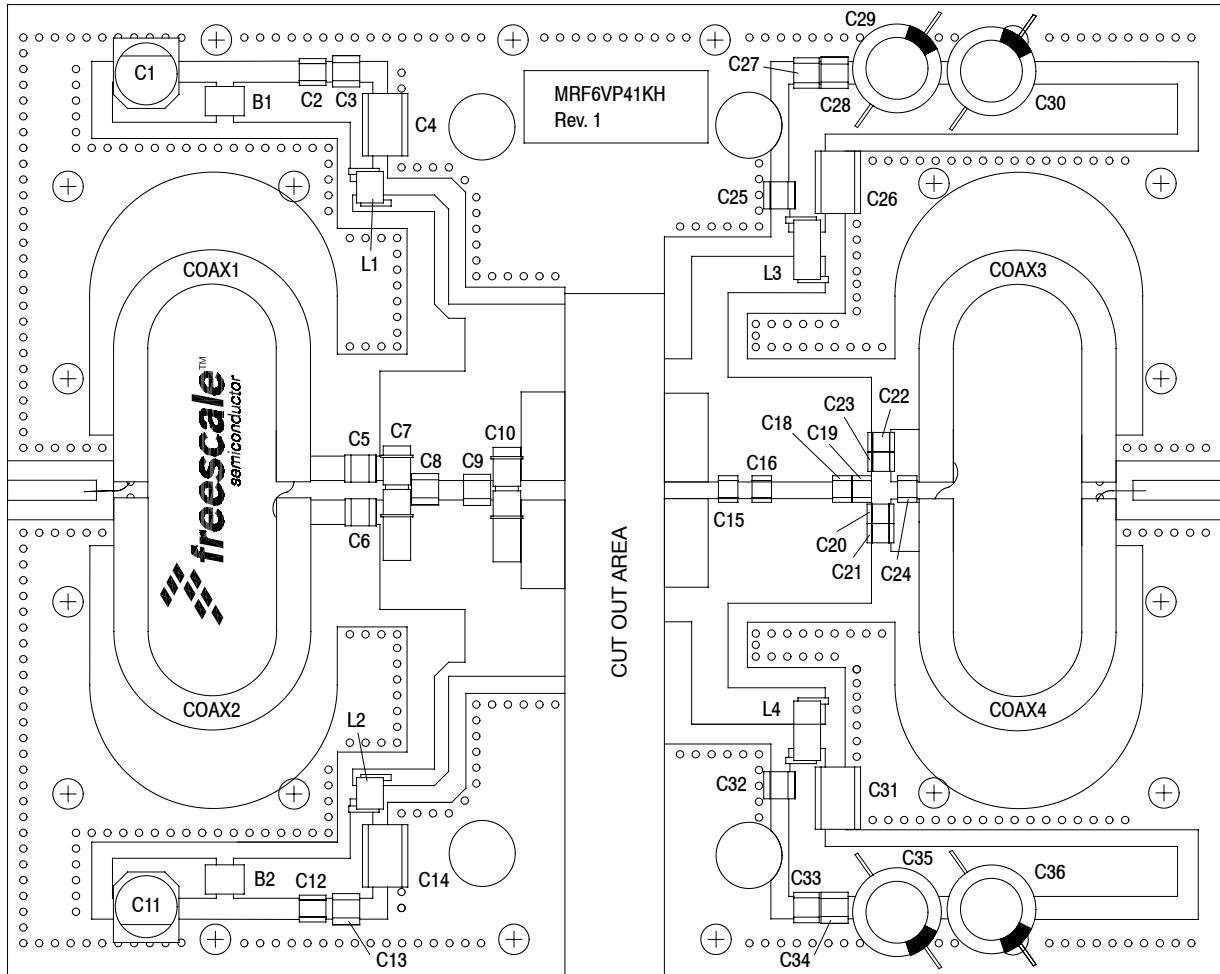


Figure 16. Series Equivalent Source and Load Impedance — 352.2 MHz



C17 not used in MRF6VP41KHR6(HSR6) 500 MHz application.

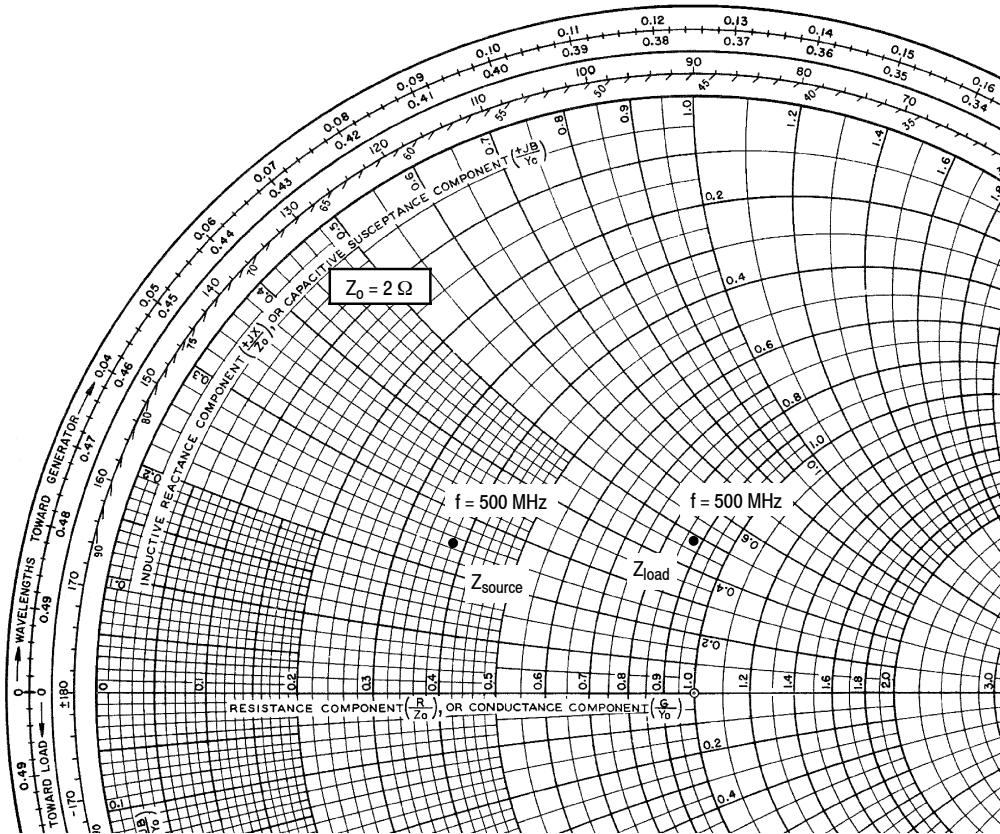
Figure 17. MRF6VP41KHR6(HSR6) Test Circuit Component Layout — 500 MHz

Table 7. MRF6VP41KHR6(HSR6) Test Circuit Component Designations and Values — 500 MHz

Part	Description	Part Number	Manufacturer
B1, B2	47 Ω, 100 MHz Short Ferrite Beads	2743019447	Fair-Rite
C1, C11	47 μF, 50 V Electrolytic Capacitors	476KXM063M	Illinois
C2, C12, C28, C34	0.1 μF Chip Capacitors	CDR33BX104AKYS	Kemet
C3, C13, C27, C33	220 nF, 50 V Chip Capacitors	C1812C224K5RAC	Kemet
C4, C14	2.2 μF, 50 V Chip Capacitors	C1825C225J5RAC	Kemet
C5, C6, C15	27 pF Chip Capacitors	ATC100B270JT500XT	ATC
C7, C10	0.8-8.0 pF Variable Capacitors	27291SL	Johanson Components
C8	13 pF Chip Capacitor	ATC100B120JT500XT	ATC
C9	33 pF Chip Capacitor	ATC100B330JT500XT	ATC
C18	9.1 pF Chip Capacitor	ATC100B9R1CT500XT	ATC
C16, C19	8.2 pF Chip Capacitors	ATC100B8R2CT500XT	ATC
C20, C21, C22, C23, C25, C32	240 pF Chip Capacitors	ATC100B241JT200XT	ATC
C24	5.6 pF Chip Capacitor	ATC100B5R6CT500XT	ATC
C26, C31	2.2 μF, 100 V Chip Capacitors	2225X7R225KT3AB	ATC
C29, C30, C35, C36	330 μF, 63 V Electrolytic Capacitors	MCRH63V337M13X21-RH	Multicomp
Coax1, 2, 3, 4	25 Ω Semi Rigid Coax, 2.2" Shield Length	UT-141C-25	Micro-Coax
L1, L2	2.5 nH, 1 Turn Inductors	A01TKLC	Coilcraft
L3, L4	43 nH, 10 Turn Inductors	B10TJLC	Coilcraft

C17 not used in MRF6VP41KHR6(HSR6) 500 MHz application.

MRF6VP41KHR6 MRF6VP41KHSR6



$V_{DD} = 50 \text{ Vdc}$ ,  $I_{DQ} = 150 \text{ mA}$ ,  $P_{out} = 1000 \text{ W Peak}$

f MHz	$Z_{source}$ $\Omega$	$Z_{load}$ $\Omega$
500	$0.75 + j0.5$	$1.73 + j0.95$

$Z_{source}$  = Test circuit impedance as measured from gate to gate, balanced configuration.

$Z_{load}$  = Test circuit impedance as measured from drain to drain, balanced configuration.

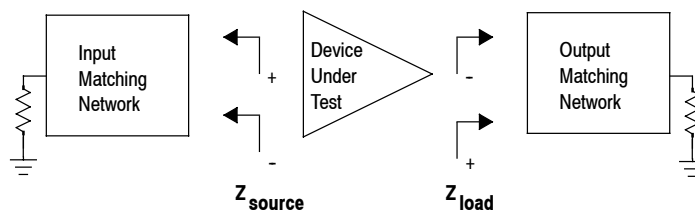
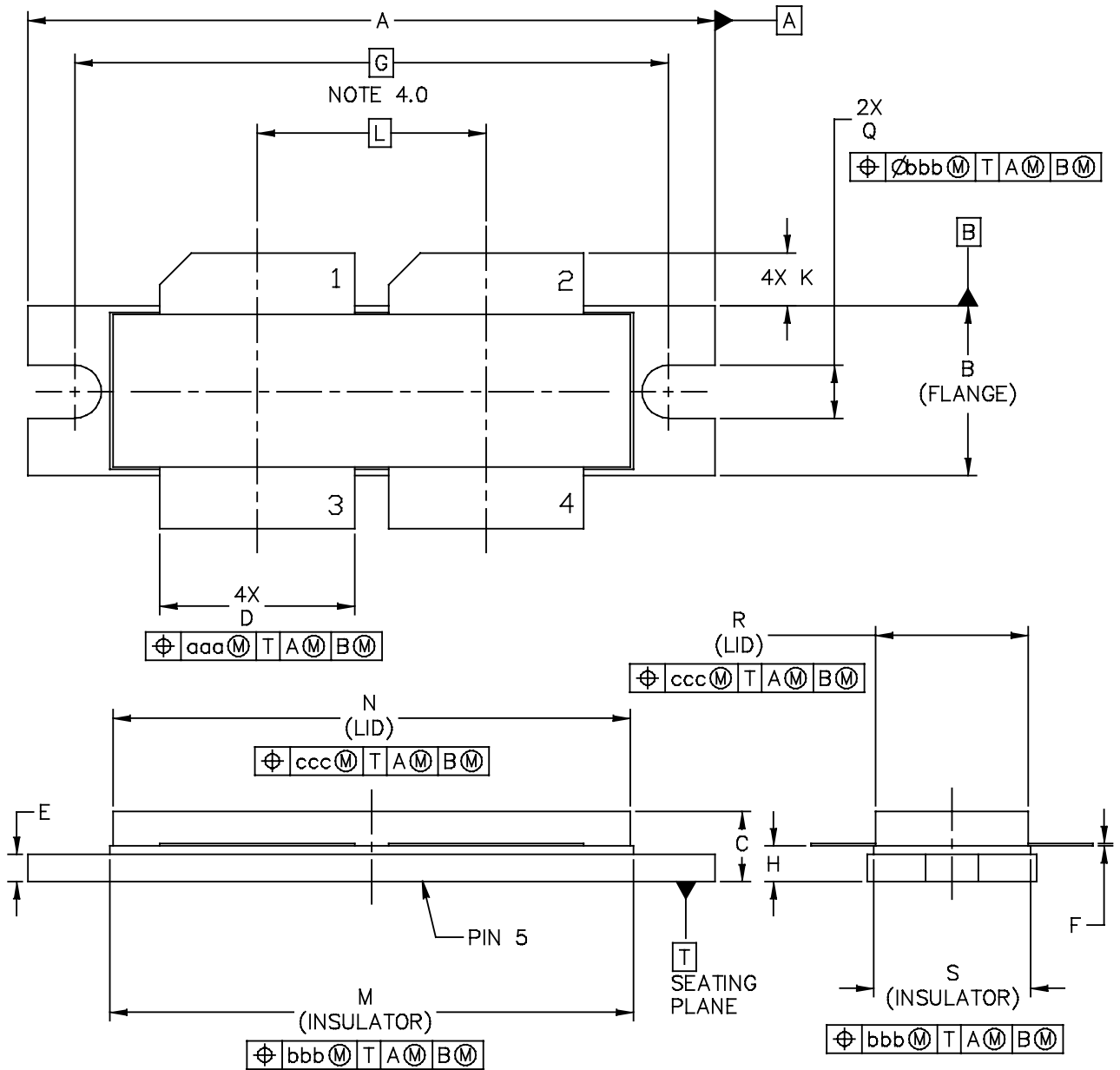


Figure 18. Series Equivalent Source and Load Impedance — 500 MHz

**PACKAGE DIMENSIONS**



© FREESCALE SEMICONDUCTOR, INC. ALL RIGHTS RESERVED.		MECHANICAL OUTLINE	PRINT VERSION NOT TO SCALE
TITLE:  NI-1230		DOCUMENT NO: 98ASB16977C	REV: E
		CASE NUMBER: 375D-05	31 MAR 2005
		STANDARD: NON-JEDEC	

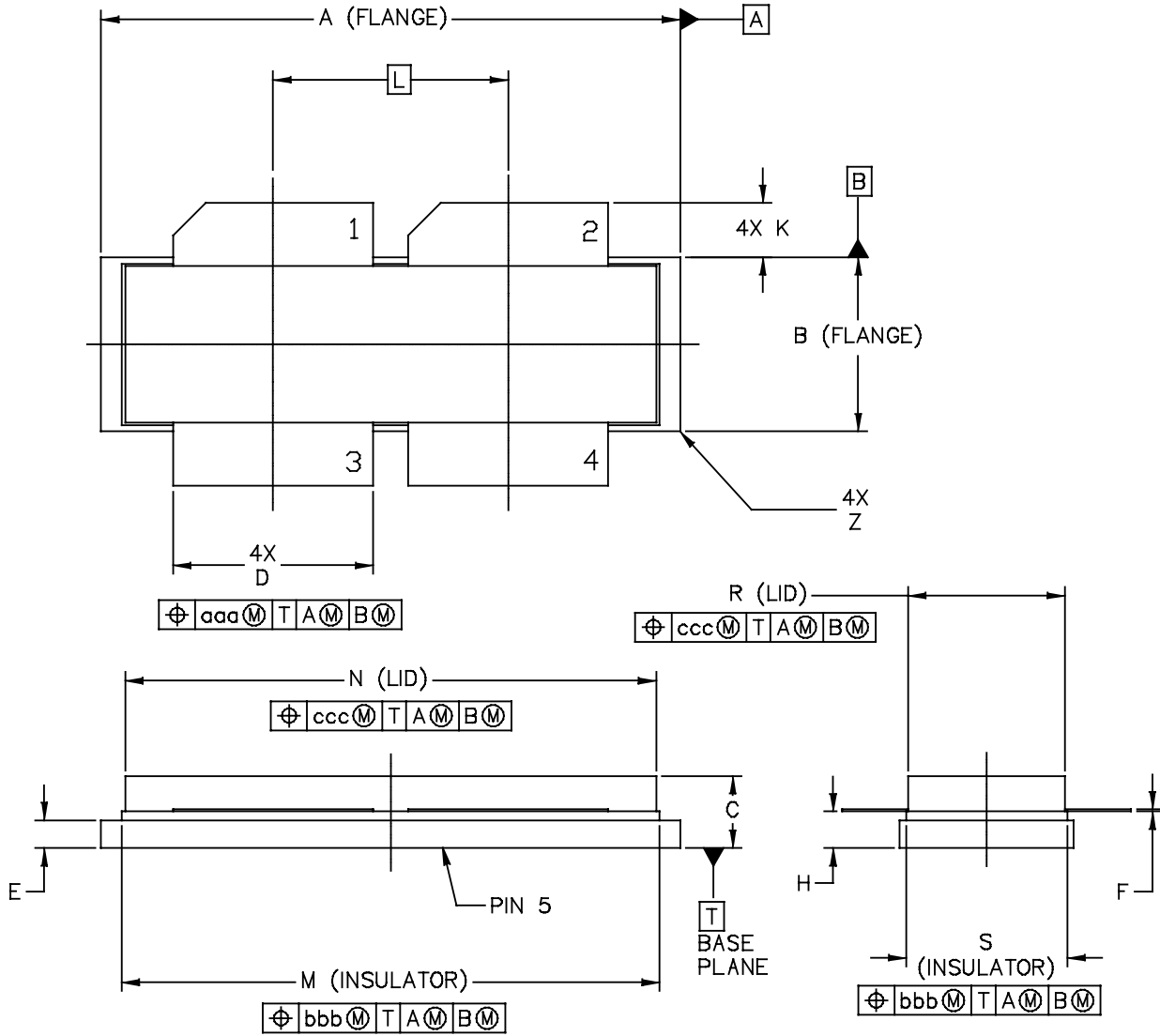
NOTES:

- 1.0 INTERPRET DIMENSIONS AND TOLERANCES PER ASME Y14.5M-1994.
- 2.0 CONTROLLING DIMENSION: INCH
- 3.0 DIMENSION H IS MEASURED .030 (0.762) AWAY FROM PACKAGE BODY.
- 4.0 RECOMMENDED BOLT CENTER DIMENSION OF 1.52 (38.61) BASED ON M3 SCREW.

STYLE 1:

- PIN 1 - DRAIN
- 2 - DRAIN
- 3 - GATE
- 4 - GATE
- 5 - SOURCE

DIM	INCH		MILLIMETER		DIM	INCH		MILLIMETER	
	MIN	MAX	MIN	MAX		MIN	MAX	MIN	MAX
A	1.615	1.625	41.02	41.28	N	1.218	1.242	30.94	31.55
B	.395	.405	10.03	10.29	Q	.120	.130	3.05	3.3
C	.150	.200	3.81	5.08	R	.355	.365	9.01	9.27
D	.455	.465	11.56	11.81	S	.365	.375	9.27	9.53
E	.062	.066	1.57	1.68					
F	.004	.007	0.1	0.18					
G	1.400 BSC		35.56 BSC		aaa	.013		0.33	
H	.082	.090	2.08	2.29	bbb	.010		0.25	
K	.117	.137	2.97	3.48	ccc	.020		0.51	
L	.540 BSC		13.72 BSC						
M	1.219	1.241	30.96	31.52					
© FREESCALE SEMICONDUCTOR, INC. ALL RIGHTS RESERVED.			MECHANICAL OUTLINE			PRINT VERSION NOT TO SCALE			
TITLE:  NI-1230					DOCUMENT NO: 98ASB16977C			REV: E	
					CASE NUMBER: 375D-05			31 MAR 2005	
					STANDARD: NON-JEDEC				



© FREESCALE SEMICONDUCTOR, INC. ALL RIGHTS RESERVED.		MECHANICAL OUTLINE		PRINT VERSION NOT TO SCALE	
TITLE:  NI-1230S		DOCUMENT NO: 98ARB18247C		REV: F	
		CASE NUMBER: 375E-04		05 AUG 2005	
		STANDARD: NON-JEDEC			



NOTES:

1. INTERPRET DIMENSIONS AND TOLERANCES PER ASME Y14.5M-1994.
2. CONTROLLING DIMENSION: INCH
3. DIMENSION H IS MEASURED .030 AWAY FROM PACKAGE BODY

STYLE 1:

- PIN 1 - DRAIN
- 2 - DRAIN
- 3 - GATE
- 4 - GATE
- 5 - SOURCE

DIM	INCHES		MILLIMETERS		DIM	INCHES		MILLIMETERS	
	MIN	MAX	MIN	MAX		MIN	MAX	MIN	MAX
A	1.265	1.275	32.13	32.38	R	.355	.365	9.01	9.27
B	.395	.405	10.03	10.29	S	.365	.375	9.27	9.53
C	.150	.200	3.81	5.08	Z	---	.040	---	1.02
D	.455	.465	11.56	11.81					
E	.062	.066	1.57	1.68	aaa	.013		0.33	
F	.004	.007	0.1	0.18	bbb	.010		0.25	
H	.082	.090	2.08	2.29	ccc	.020		0.51	
K	.117	.137	2.97	3.48					
L	.540 BSC		13.72 BSC						
M	1.219	1.241	30.96	31.52					
N	1.218	1.242	30.94	31.55					

© FREESCALE SEMICONDUCTOR, INC. ALL RIGHTS RESERVED.		MECHANICAL OUTLINE		PRINT VERSION NOT TO SCALE	
TITLE:  NI-1230S		DOCUMENT NO: 98ARB18247C		REV: F	
		CASE NUMBER: 375E-04		05 AUG 2005	
		STANDARD: NON-JEDEC			

## PRODUCT DOCUMENTATION AND SOFTWARE

Refer to the following documents and software to aid your design process.

### Application Notes

- AN1955: Thermal Measurement Methodology of RF Power Amplifiers

### Engineering Bulletins

- EB212: Using Data Sheet Impedances for RF LDMOS Devices

### Software

- Electromigration MTTF Calculator
- RF High Power Model

For Software, do a Part Number search at <http://www.freescale.com>, and select the "Part Number" link. Go to the Software & Tools tab on the part's Product Summary page to download the respective tool.

## R5 TAPE AND REEL OPTION

R5 Suffix = 50 Units, 56 mm Tape Width, 13 inch Reel.

The R5 tape and reel option for MRF6VP41KH and MRF6VP41KHS parts will be available for 2 years after release of MRF6VP41KH and MRF6VP41KHS. Freescale Semiconductor, Inc. reserves the right to limit the quantities that will be delivered in the R5 tape and reel option. At the end of the 2 year period customers who have purchased these devices in the R5 tape and reel option will be offered MRF6VP41KH and MRF6VP41KHS in the R6 tape and reel option.

## REVISION HISTORY

The following table summarizes revisions to this document.

Revision	Date	Description
0	Jan. 2008	• Initial Release of Data Sheet
1	Apr. 2008	• Added Fig. 12, Maximum Transient Thermal Impedance, p. 6
2	Sept. 2008	• Added Note to Fig. 4, Capacitance versus Drain-Source Voltage, to denote that each side of device is measured separately, p. 5 • Updated Fig. 5, DC Safe Operating Area, to clarify that measurement is on a per-side basis, p. 5 • Corrected Fig. 13, MTTF versus Junction Temperature, to reflect the correct die size and increased the MTTF factor accordingly, p. 6
3	Nov. 2008	• Added CW operation capability bullet to Features section, p. 1 • Added CW operation to Maximum Ratings table, p. 1 • Added CW thermal data to Thermal Characteristics table, p. 2 • Fig. 14, Series Equivalent Source and Load Impedance, corrected $Z_{source}$ copy to read "Test circuit impedance as measured from gate to gate, balanced configuration" and $Z_{load}$ copy to read "Test circuit impedance as measured from drain to drain, balanced configuration"; replaced impedance diagram to show push-pull test conditions, p. 7
4	Mar. 2009	• CW rating limits updated from 1176 W to 1107 W and 5.5 W/°C to 4.6 W/°C to reflect recent remeasured data, Max Ratings table, p. 1 • CW Thermal Characteristics changed from 81°C to 48°C and 0.16 °C/W to 0.15 °C/W using data from the most recent 352.2 MHz CW application circuit, p. 2 • Added Typical Performances table for 352.2 MHz and 500 MHz applications, p. 3 • Added Fig. 14, MTTF versus Junction Temperature - CW, p. 7 • Added Figs. 16 and 18, Test Circuit Component Layout - 352.2 MHz and 500 MHz, and Tables 6 and 7, Test Circuit Component Designations and Values - 352.2 MHz and 500 MHz, p. 9, 11 • Added Figs. 17 and 19, Series Equivalent Source and Load Impedance - 352.2 MHz and 500 MHz, p. 10, 12

(continued)

**REVISION HISTORY (cont.)**

Revision	Date	Description
5	Apr. 2010	<ul style="list-style-type: none"> <li>Operating Junction Temperature increased from 200°C to 225°C in Maximum Ratings table and related "Continuous use at maximum temperature will affect MTTF" footnote added, p. 1</li> <li>Added Electromigration MTTF Calculator and RF High Power Model availability to Product Software, p. 17</li> </ul>
6	Apr. 2012	<ul style="list-style-type: none"> <li>Table 1, Maximum Ratings, CW Operation: changed CW rating from an RF based value to a maximum power dissipated value - CW Operation @ <math>T_C = 25^\circ\text{C}</math>, 1107 W changed to Total Device Dissipation @ <math>T_C = 25^\circ\text{C}</math>, CW only, 1333 watts. Value change to 1333 watts applies only to devices with a date code of QQ1218 or newer. Refer to PCN15074, p. 1</li> <li>Table 2, Thermal Characteristics, Thermal Resistance, Junction to Case: 2.4 mil wire configuration thermal testing resulted in a case temperature change from 48°C to 84°C, p. 2</li> <li>Table 3, ESD Protection Characteristics: added the device's ESD passing level as applicable to each ESD class, p. 2</li> <li>Modified figure titles and/or graph axes labels to clarify application use, p. 4-7</li> <li>Fig. 12, Transient Thermal Impedance: graph updated to show correct CW operation, p. 7</li> <li>Fig. 13, MTTF versus Junction Temperature - Pulsed removed, p. 7. Refer to the device's MTTF Calculator available at <a href="http://freescale.com/RFpower">freescale.com/RFpower</a>. Go to Design Resources &gt; Software and Tools.</li> <li>Fig. 14, MTTF versus Junction Temperature - CW: MTTF end temperature on graph changed to match maximum operating junction temperature, p. 7 (renumbered as Fig. 13 after Fig. 13, MTTF versus Junction Temperature - Pulsed removed)</li> </ul>

**How to Reach Us:**

**Home Page:**  
[freescale.com](http://freescale.com)

**Web Support:**  
[freescale.com/support](http://freescale.com/support)

Information in this document is provided solely to enable system and software implementers to use Freescale products. There are no express or implied copyright licenses granted hereunder to design or fabricate any integrated circuits based on the information in this document.

Freescale reserves the right to make changes without further notice to any products herein. Freescale makes no warranty, representation, or guarantee regarding the suitability of its products for any particular purpose, nor does Freescale assume any liability arising out of the application or use of any product or circuit, and specifically disclaims any and all liability, including without limitation consequential or incidental damages. "Typical" parameters that may be provided in Freescale data sheets and/or specifications can and do vary in different applications, and actual performance may vary over time. All operating parameters, including "typicals," must be validated for each customer application by customer's technical experts. Freescale does not convey any license under its patent rights nor the rights of others. Freescale sells products pursuant to standard terms and conditions of sale, which can be found at the following address: <http://www.reg.net/v2/webservices/Freescale/Docs/TermsandConditions.htm>.

Freescale, the Freescale logo, Altivec, C-5, CodeTest, CodeWarrior, ColdFire, C-Ware, Energy Efficient Solutions logo, Kinetis, mobileGT, PowerQUICC, Processor Expert, QorIQ, Qorivva, StarCore, Symphony, and VortiQa are trademarks of Freescale Semiconductor, Inc., Reg. U.S. Pat. & Tm. Off. Airfast, BeeKit, BeeStack, ColdFire+, CoreNet, Flexis, MagniV, MXC, Platform in a Package, QorIQ Qonverge, QUICC Engine, Ready Play, SafeAssure, SMARTMOS, TurboLink, Vybrid, and Xtrinsic are trademarks of Freescale Semiconductor, Inc. All other product or service names are the property of their respective owners.

© 2008-2010, 2012 Freescale Semiconductor, Inc.