



Excellent Integrated System Limited

Stocking Distributor

Click to view price, real time Inventory, Delivery & Lifecycle Information:

[Amphenol Commercial Products](#)

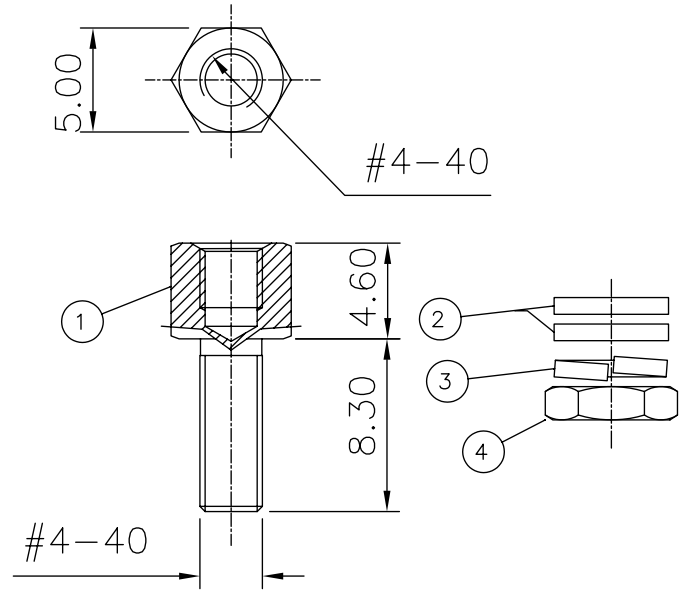
[L17D204182X](#)

For any questions, you can email us directly:

sales@integrated-circuit.com

This document is the property of Amphenol Corporation and is delivered on the express condition that it is not to be disclosed, reproduced or used, in whole or in part, for manufacture or sale by anyone other than Amphenol Corporation without its prior consent. All other rights are granted to disclose or to use any information in this document.

REVISIONS				
SYM	ECN	DESCRIPTION	DATE	APPROVED
1			06/17/08	



- ① SCREWS
- ② 2 WASHERS
- ③ LOCK WASHERS
- ④ NUTS



CUSTOMER DRAWING

D-SUB TECHNICAL DATA

Plating : tinned
delivered separately
1 P/N = 10 lockings
2 lockings are necessary for one connector

MARKING:
Amphenol...(Series No.)
Commercial reference
Manufacturing date

UNLESS OTHERWISE SPECIFIED		APPROVAL	DATE	Amphenol®
TOLERANCES		DRAWN	07/31/07	
	U.S.	METRIC	CHECKED	TITLE
X	+/-	0.50	HL wang	Accessory, screwlock with nut and washers
XX	+/-	0.30		
XXX	+/-	0.20		
FRACTIONS				
ANGLES	+/-	2'		
FOR MATERIALS AND FINISHES	SEE NOTES	DRAWING FILE :		SIZE
REMOVE SHARP EDGES		DRAWING FILE : L17D204182X		DRAWING NO.
DIMENSIONS				A4
T-S	TOLERANCES			C
METRIC	MM			L17D204182X
				SCALE
				NONE
				SHEET
				1 OF 1