

Excellent Integrated System Limited

Stocking Distributor

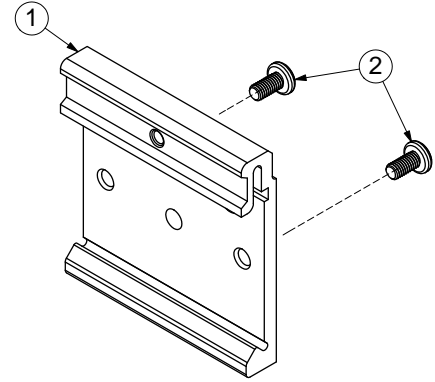
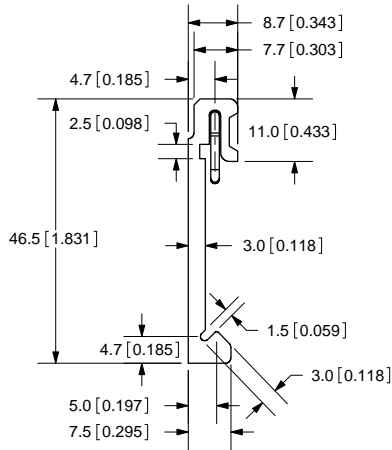
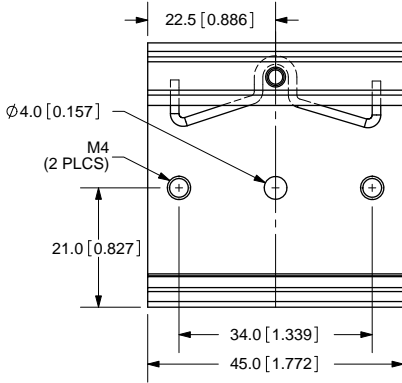
Click to view price, real time Inventory, Delivery & Lifecycle Information:

[CUI Inc.](#)
[STK-DIN](#)

For any questions, you can email us directly:

sales@integrated-circuit.com

REV.	DESCRIPTION	DATE
A	NEW DRAWING	7/22/2008
B	multiple part updates	7/30/2010
C	mechanical change to the bracket shape	1/23/2012



CUI INC

20050 SW 112th Ave.
Tualatin, OR 97062
Phone: 503-612-2300
800-275-4899
Fax: 503-612-2383
Website: www.cui.com

TITLE: DIN RAIL MOUNTING BRACKET		REV: C
PART NO. STK-DIN	UNITS: MM [INCHES]	
DRAWN BY: ZRJ	APPROVED BY:	SCALE: 1:1

ITEM	DESCRIPTION	QUANTITY
1	VDRP-03	1
2	M4X4 SCREWS	2

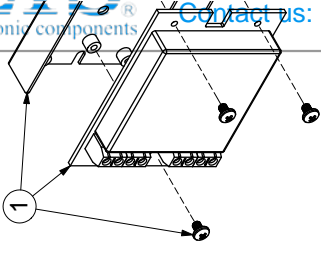
PC FILE NAME: STK-DIN

COPYRIGHT 2012 BY CUI INC.

For more information, please visit the product page.

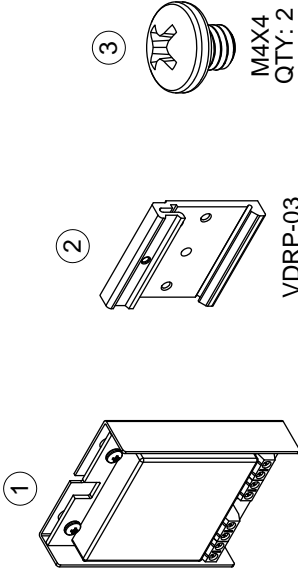
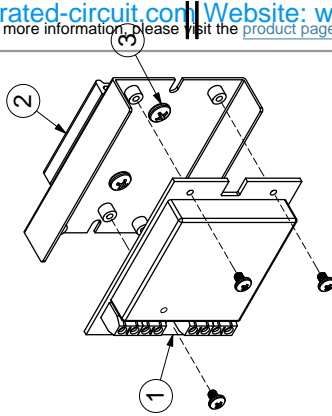
REMOVE PCB ASSEMBLY FROM CONVERTER U-FRAME BY LOOS

STEP 1



REATTACH PCB ASSEMBLY TO CHASSIS MOUNT CONVERTER

STEP 3



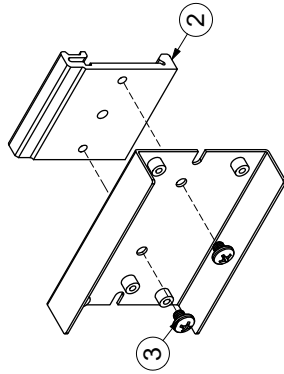
V-INFINITY CHASSIS MOUNT CONVERTER
QTY: 1
(sold separately)

VDRP-03
QTY: 1

M4X4
QTY: 2

ATTACH VDRP-03 TO V-INFINITY CHASSIS MOUNT CONVERTER U-FRAME USING TWO M4X4 SCREWS

STEP 2



TITLE:	DIN RAIL ASSEMBLY
PART NO.:	STK-DIN
DRAWN BY:	ZRJ

PC FILE NAME:

STK-DIN

COPYRIGHT 2012 BY CUI INC.