

## Excellent Integrated System Limited

Stocking Distributor

Click to view price, real time Inventory, Delivery & Lifecycle Information:

[Amphenol Commercial Products](#)  
[L17DM537421](#)

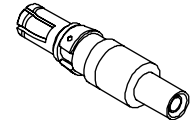
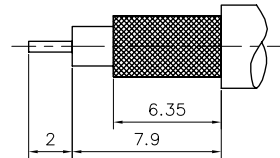
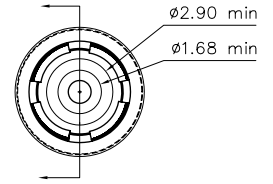
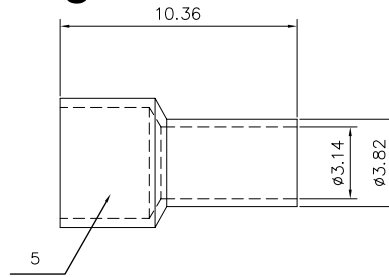
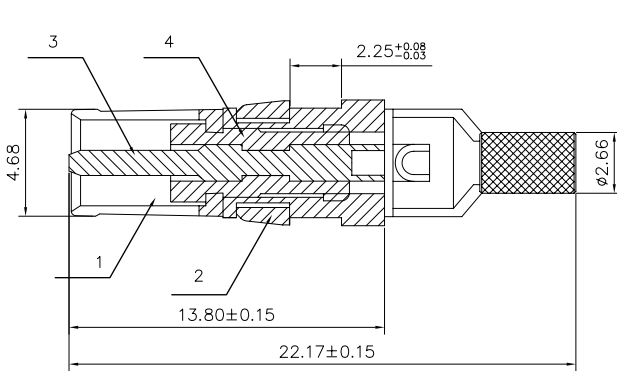
For any questions, you can email us directly:

[sales@integrated-circuit.com](mailto:sales@integrated-circuit.com)

The document is the property of Amphenol Corporation and is delivered in the express condition that it is not to be disclosed, reproduced or used, in whole or in part, for manufacture or sale by anyone other than Amphenol Corporation without its prior consent. All rights are granted to Amphenol or to use any information in this document.

# Customer drawing

REVISIONS				
SYM	EDN	DESCRIPTION	DATE	APPROVED
E			02/03/08	



Trim cable

Notes:

- Commercial number is L17DM537421
- ELECTRICAL: Voltage rating 250 V Rms to 50 Hz  
Current rating 3A  
Withstanding Voltage >1000 V Rms  
Insulation resistance >1000 M Ohms  
Contact resistance: center contact 5.0 mOhms  
outer contact 3.0 mOhms.
- Cable RG: 179 B/U
- Ferrule crimp: 3.25/plats
- CLIMATIC: Temperature range -55 °C up to 125°C
- MARKING: Amphenol...(Series No.)  
Manufacturing date  
Commercial reference

Sequence	Material	Remark
5	brass	gold over 1.25 min nickel
4	ferrule	Color white
3	Phosphor bronze	0.75um min gold over 1.25 min nickel
2	thermoplastic	Color black
1	brass	gold over 1.25 min nickel



UNLESS OTHERWISE SPECIFIED		APPROVAL	DATE	
TOLERANCES		DRAWN	Sherry Li 02/03/08	
U.S. METRIC		CHECKED	HK Wang 02/03/08	
X +/- 0.20		CHECKED		
XX +/- 0.10				TITLE
XXX +/- 0.05				Straight shielded contacts
FRACTIONS +/-				Crimp ferrule
ANGLES +/- 2'				SIZE
REMOVE SHARP EDGES		DRAWING FILE :		A4
DIMENSIONS		ANGLE OF PROJECTION		DRAWING NO.
U.S. INCHES				C L17DM53742-1
METRIC MM				SCALE
				NONE
				SHEET 1 OF 1
				REV.
				E