

Excellent Integrated System Limited

Stocking Distributor

Click to view price, real time Inventory, Delivery & Lifecycle Information:

[Amphenol Commercial Products](#)
[L17DM537425001](#)

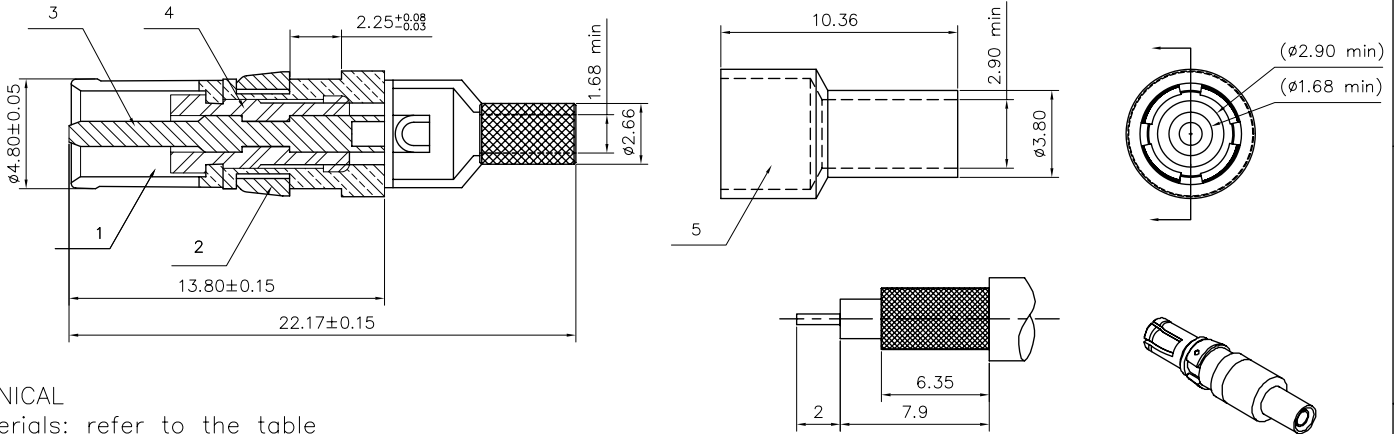
For any questions, you can email us directly:

sales@integrated-circuit.com

The document is the property of Amphenol Corporation and is delivered on the express condition that it is not to be disclosed, reproduced or used, in whole or in part, for manufacture or sale by anyone other than Amphenol Corporation without its prior consent. All right is granted to disclose or to use any information in this document.

Customer drawing

REVISIONS			
SYM	EDN	DESCRIPTION	DATE APPROVED
1			09/05/08



MECHANICAL

- 1. Materials: refer to the table
- 2. Finish: refer to the table

ELECTRICAL :

- Impedance: 50 Ohms Nominal
- Frequency Range: 0 to 5.0 GHz
- Insulation Resistance: 5000 Megaohms Minimum
- Contact Resistance: (Milliohms maximum)
- Center Contact: 5.0
- Outer Contact: 3.0
- Voltage Standing Wave Ratio: 0 to 5.0 GHz

ENVIRONMENTAL

- Operating Temperature range : -55 °C up to +125°C
- Vibration: MIL-STD-202, Method 204, Test Condition D
- Shock: MIL-STD-202, Method 213, Test Condition I
- Corrosion Resistance: MIL-STD-202, Method 101, Test Condition B



Trim cable

5	ferrule	brass, gold over 50u" min. nickel
4	insulator	PTFE, Color white
3	center contact	phosphor bronze, 30u" min. gold over 50u" min. nickel
2	ring	thermoplastic, Color black
1	outer contact	brass, gold over 50u" min. nickel

Sequence	Material	Remark

UNLESS OTHERWISE SPECIFIED		APPROVAL	DATE	Amphenol®
TOLERANCES		DRAWN	Ming-ma 09/05/08	
U.S.		CHECKED	HK-wang 09/05/08	
METRIC		CHECKED		
X	+/-	0.20		TITLE Straight shielded contacts ferrule
XX	+/-	0.10		
XXX	+/-	0.05		
FRACTIONS +/-		2'		DRAWING FILE :
ANGLES +/-				
REMOVE SHARP EDGES		ANGLE OF PROJECTION		SIZE DRAWING NO. REV.
DIMENSIONS		FIRST ANGLE		
T-S		T-S		A4 C L17DM53742-5001 1
INCHES		MM		SCALE NONE SHEET 1 OF 1