



**Distributor of Molex Connector Corporation: Excellent Integrated System Limited**  
Datasheet of 0749603018 - D-Sub Connector Receptacle, Female Sockets 18 Position Surface Mount, Right Angle Solder

Contact us: [sales@integrated-circuit.com](mailto:sales@integrated-circuit.com) Website: [www.integrated-circuit.com](http://www.integrated-circuit.com)

---

## **Excellent Integrated System Limited**

Stocking Distributor

Click to view price, real time Inventory, Delivery & Lifecycle Information:

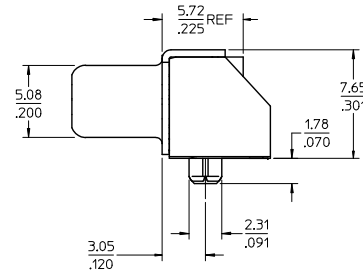
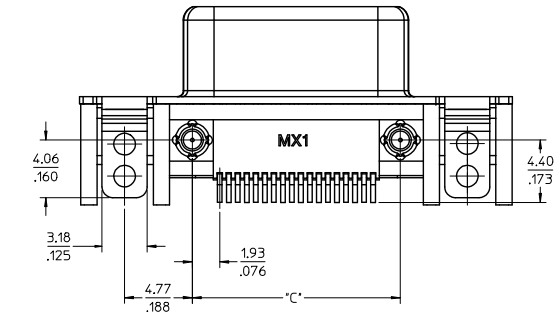
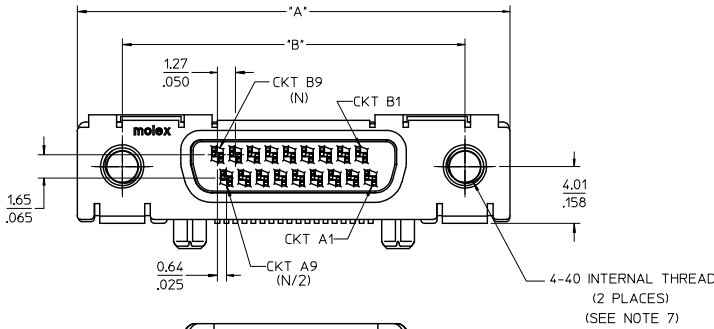
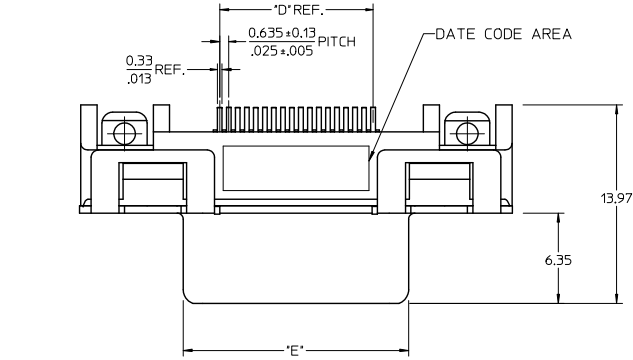
[Molex Connector Corporation](#)  
[0749603018](#)

For any questions, you can email us directly:  
[sales@integrated-circuit.com](mailto:sales@integrated-circuit.com)

Contact us: [sales@integrated-circuit.com](mailto:sales@integrated-circuit.com) Website: [www.integrated-circuit.com](http://www.integrated-circuit.com)

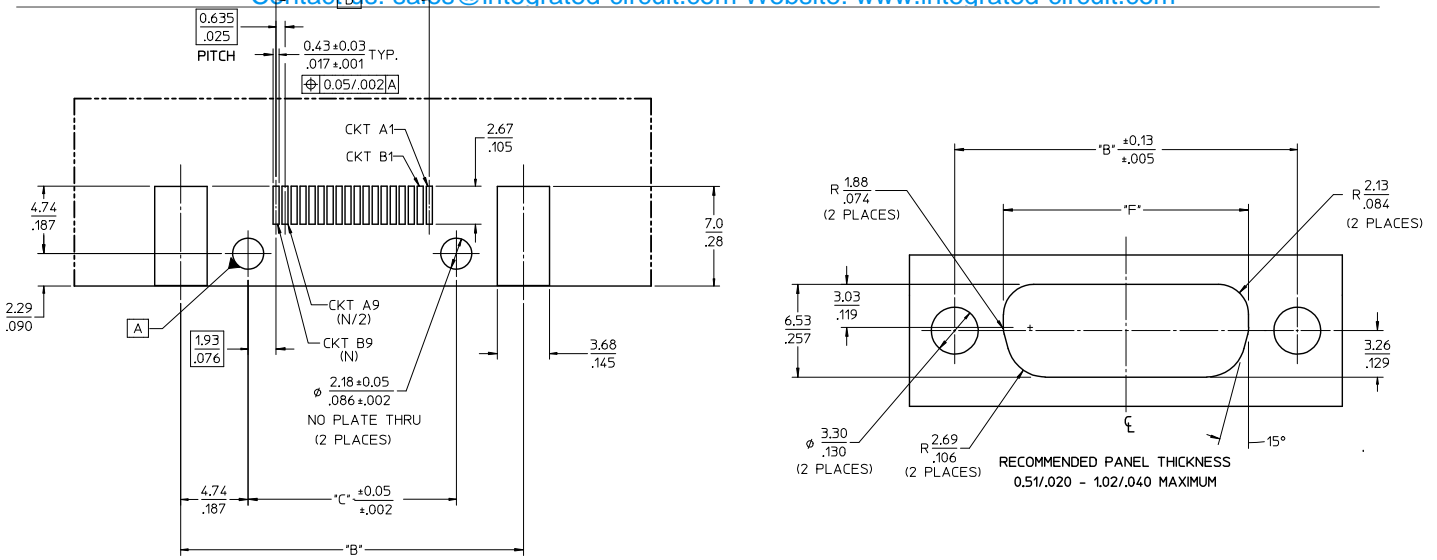
**NOTES:**

- MATERIALS:**
  - SHIELD - DEEP DRAWN STEEL
  - HOUSING - GLASS FILLED POLYMER, BLACK, UL 94V-0
  - CONTACTS - COPPER ALLOY
  - JACKPOST - STAINLESS STEEL
  - THREADED INSERT - BRASS
- PLATING:**
  - TERMINALS - SELECTIVE GOLD (Au) THICKNESS IN CONTACT AREA, 0.38 MICROMETERS/15 MICROINCHES MINIMUM, SELECTIVE MATTE TIN (Sn) THICKNESS IN PC TAIL AREA, 2.54 MICROMETERS/100 MICROINCHES MINIMUM, OVER NICKEL (Ni) UNDERPLATE OVERALL.
  - SHIELD - 2.54 MICROMETERS/100 MICROINCHES MINIMUM MATTE TIN (Sn) OVER 1.27 MICROMETERS/50 MICROINCHES MINIMUM NICKEL (Ni) OVER COPPER (Cu) UNDERPLATE OVERALL.
- PC SMT TAILS AND 2 GROUND TABS ARE TO BE COPLANAR WITHIN 0.127/.005.
- PARTS TO BE PACKAGED IN TAPE AND REEL. SEE CHART ON SHEET 2 FOR PACKAGING SPECIFICATION.
- REFER TO SHEET 2 FOR RECOMMENDED PCB LAYOUT AND PANEL CUT-OUT.
- PRODUCT CONFORMS TO MOLEX PRODUCT SPECIFICATION PS-74960-000.
- FOR TDP RECEPTACLE WITH M3 INTERNAL THREAD OPTION CONTACT PRODUCT MARKETING.



MOD JACKPOST NUMBER EC NO: UCP2015-1626 DRAWN: TIBARRA 2014/10/28 CHKD: MORGAN 2014/10/28 APPROV: MILLER 2014/11/12	QUALITY SYMBOLS ▽=0 ▽=0 ▽=0	GENERAL TOLERANCES (UNLESS SPECIFIED)		DIMENSION STYLE MM/IN		SCALE 5:1	DESIGN UNITS INCH	THIRD ANGLE PROJECTION	
		4 PLACES ± .10	3 PLACES ± .15	2 PLACES ± 0.25	1 PLACE ± 0.38	0 PLACE ± .50	DRAWN BY JJANTELEZIO 07/15/2008		
REV G	DESCRIPTION	ANGULAR ± 1/2°		MATERIAL NO.		DOCUMENT NO.		SHEET NO.	
		DRAFT WHERE APPLICABLE MUST REMAIN WITHIN DIMENSIONS		SEE TABLE		SD-74960-010		1 OF 3	
		THIS DRAWING CONTAINS INFORMATION THAT IS PROPRIETARY TO MOLEX INCORPORATED AND SHOULD NOT BE USED WITHOUT WRITTEN PERMISSION						TITLE SALES DRAWING - PCIE/TDP SMT RECEPTACLE ASSEMBLY	
								molex	

Contact us: sales@integrated-circuit.com Website: www.integrated-circuit.com



NOT TOOLED	MATERIAL NUMBER	CIRCUIT SIZE	*A* DIMENSION	*B* DIMENSION	*C* DIMENSION	*D* DIMENSION	*E* DIMENSION	*F* DIMENSION	PACKAGING SPECIFICATION
	74960-3018	18	30.48 1.200	24.13 .950	14.66 .577	10.80 .425	15.87 .625	17.27 .680	PK-74960-995
	74960-3028	28	36.83 1.450	30.48 1.200	21.01 .827	17.15 .675	22.17 .873	23.62 .930	PK-74960-995
X	74960-3038	38	43.18 1.700	36.83 1.450	27.36 1.077	23.50 .925	28.52 1.123	29.97 1.180	N/A CONTACT PRODUCT MARKETING
	74960-3048	48	49.53 1.950	43.18 1.700	33.71 1.327	29.85 1.175	34.87 1.373	36.32 1.430	PK-74960-996
X	74960-3072	72	64.77 2.550	58.42 2.300	48.95 1.927	45.09 1.775	50.11 1.973	51.56 2.030	N/A CONTACT PRODUCT MARKETING

NOTES:

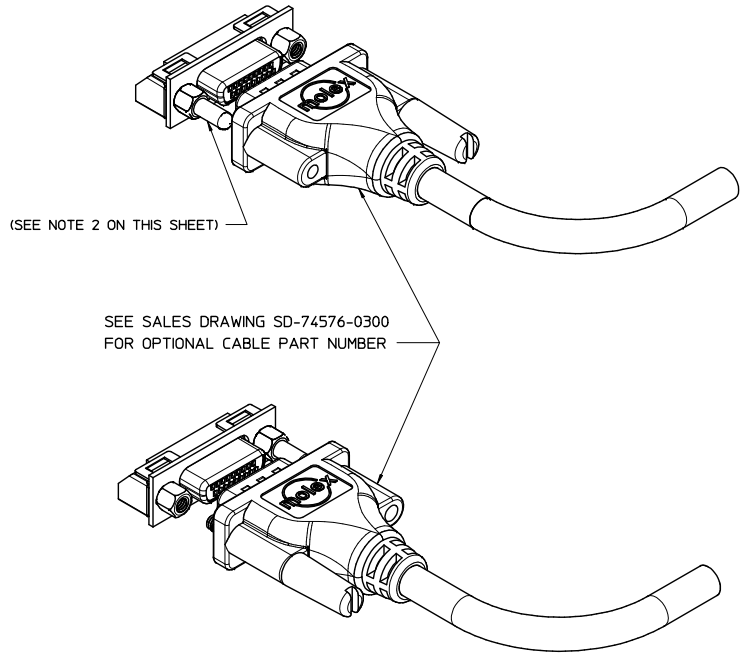
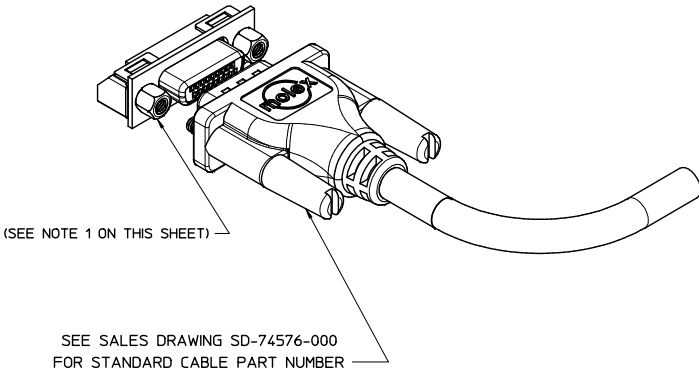
- ALL DIMENSIONS ON THIS SHEET ARE ±0.13 TOLERANCE UNLESS OTHERWISE SPECIFIED.
- DIMENSIONS SHOWN ABOUT A CENTERLINE ARE SYMMETRICAL ABOUT THAT CENTERLINE WITHIN HALF THE SPECIFIED TOLERANCE.
- PEG HOLES CAN BE 2.18MM / .086IN TO RETAIN PART TO BOARD OR ENLARGED TO 2.4MM / .094IN TO ACT AS CLEARANCE HOLES. A FIXTURE MUST BE USED TO PREVENT PART TILTING DURING REFLOW IF HOLES ARE ENLARGED. REFER TO SECTION 8.1 IN APPLICATION SPECIFICATION AS-74960-100.

SEE SHEET 1 EC NO: UCP2015-1626 DRWNET IBARRA 2014/10/20 CHKOBONGAN 2014/10/20 APPR:SMILLER 2014/11/12	QUALITY SYMBOLS 	GENERAL TOLERANCES (UNLESS SPECIFIED)		DIMENSION STYLE MM/IN		SCALE 5:1	DESIGN UNITS INCH	THIRD ANGLE PROJECTION
		4 PLACES ±	---	---	---	DRAWN BY JJANTELEZ10	DATE 07/15/2008	SALES DRAWING - PCIE/TDP SMT RECEPTACLE ASSEMBLY 
		3 PLACES ±	---	---	---	CHECKED BY TMCCLELL	DATE 07/15/2008	
		2 PLACES ±	0.25	±.015	---	APPROVED BY MBANAKIS	DATE 2010/10/29	
1 PLACE ±	0.38	---	---	MATERIAL NO.	DOCUMENT NO.			
DRAFT WHERE APPLICABLE MUST REMAIN WITHIN DIMENSIONS		SEE TABLE		SD-74960-010		SHEET NO. 2 OF 3		
THIS DRAWING CONTAINS INFORMATION THAT IS PROPRIETARY TO MOLEX INCORPORATED AND SHOULD NOT BE USED WITHOUT WRITTEN PERMISSION								

Contact us: [sales@integrated-circuit.com](mailto:sales@integrated-circuit.com) Website: [www.integrated-circuit.com](http://www.integrated-circuit.com)

STANDARD CONFIGURATION

OPTIONAL CONFIGURATION



RECOMMENDED JACKPOST INTERNAL THREAD OPTIONS (SEE NOTE 1 ON THIS SHEET)		OPTIONAL JACKPOST POLARIZATION HARDWARE (SEE NOTE 2 ON THIS SHEET)
4-40	M3	74962-0100
74962-1000	74962-2000	

 4-40 THREAD INTERNAL THREAD	 4-40 THREAD
------------------------------------	-----------------

1. RECOMMENDED JACK POST MOUNTING HARDWARE (QTY 2 PER ASSEMBLY), SEE CHART FOR ITEM NUMBERS AND SALES DRAWING SD-74962-000.
2. OPTIONAL JACK POST POLARIZATION HARDWARE,(QTY 1 PER ASSEMBLY), SEE CHART FOR ITEM NUMBER AND SALES DRAWING SD-74962-100.

SEE SHEET 1 EC NO: UCP2015-1626 2014/10/20 DRW:STIBARRA CHK:DMORGAN APPR:SMILLER 2014/11/12	QUALITY SYMBOLS 	GENERAL TOLERANCES (UNLESS SPECIFIED)		DIMENSION STYLE MM/IN		SCALE 4:1	DESIGN UNITS INCH	THIRD ANGLE PROJECTION
		4 PLACES ± --- ± --- 3 PLACES ± --- ± .010 2 PLACES ± 0.25 ± .015 1 PLACE ± 0.38 ± --- 0 PLACE ± --- ± ---	mm INCH DRAWN BY JJANTELEZ10 DATE 07/15/2008 CHECKED BY DATE TMCLELL 07/15/2008 APPROVED BY DATE MBANAKIS 2010/10/29	TITLE SALES DRAWING - PCIE/TDP SMT RECEPTACLE ASSEMBLY				MATERIAL NO. SEE TABLE
DRAFT WHERE APPLICABLE MUST REMAIN WITHIN DIMENSIONS		THIS DRAWING CONTAINS INFORMATION THAT IS PROPRIETARY TO MOLEX INCORPORATED AND SHOULD NOT BE USED WITHOUT WRITTEN PERMISSION						