

Excellent Integrated System Limited

Stocking Distributor

Click to view price, real time Inventory, Delivery & Lifecycle Information:

[STMicroelectronics](#)

[STL65N3LLH5](#)

For any questions, you can email us directly:

sales@integrated-circuit.com



STL65N3LLH5

N-channel 30 V, 0.0048 Ω, 19 A, PowerFLAT™ 5x6
 STripFET™ V Power MOSFET

Features

| Order code | V _{DSS} | R _{DS(on) max} | I _D |
|-------------|------------------|-------------------------|---------------------|
| STL65N3LLH5 | 30 V | <0.0058 Ω | 19 A ⁽¹⁾ |

1. The value is rated according R_{thj-pcb}

- R_{DS(on)} * Q_g industry benchmark
- Extremely low on-resistance R_{DS(on)}
- Very low switching gate charge
- High avalanche ruggedness
- Low gate drive power losses

Applications

- Switching applications

Description

This device is an N-channel Power MOSFET developed using STMicroelectronics' STripFET™V technology. The device has been optimized to achieve very low on-state resistance, contributing to an FOM that is among the best in its class.



Figure 1. Internal schematic diagram

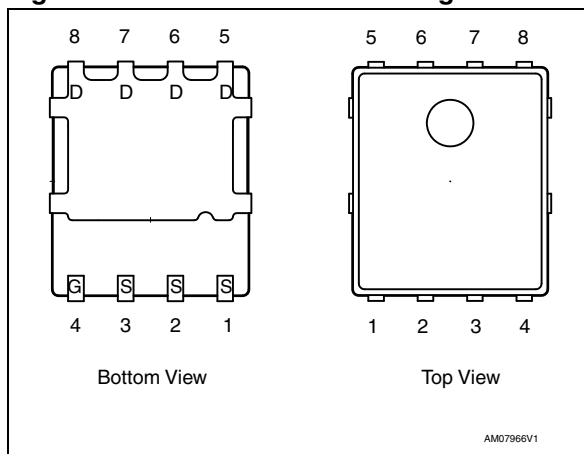


Table 1. Device summary

| Order code | Marking | Package | Packaging |
|-------------|----------|----------------|---------------|
| STL65N3LLH5 | 65N3LLH5 | PowerFLAT™ 5x6 | Tape and reel |

Contents

| | | |
|----------|---|-----------|
| 1 | Electrical ratings | 3 |
| 2 | Electrical characteristics | 4 |
| | 2.1 Electrical characteristics (curves) | 6 |
| 3 | Test circuits | 8 |
| 4 | Package mechanical data | 9 |
| 5 | Revision history | 15 |

Obsolete Product(s) - Obsolete Product(s)

STL65N3LLH5

Electrical ratings

1 Electrical ratings

Table 2. Absolute maximum ratings

| Symbol | Parameter | Value | Unit |
|--------------------|--|------------|---------------------|
| V_{DS} | Drain-source voltage | 30 | V |
| V_{GS} | Gate-source voltage | ± 22 | V |
| $I_D^{(1)}$ | Drain current (continuous) at $T_C = 25\text{ }^\circ\text{C}$ | 65 | A |
| $I_D^{(1)}$ | Drain current (continuous) at $T_C = 100\text{ }^\circ\text{C}$ | 41 | A |
| $I_D^{(2)}$ | Drain current (continuous) at $T_{pcb} = 25\text{ }^\circ\text{C}$ | 19 | A |
| $I_D^{(2)}$ | Drain current (continuous) at $T_{pcb}=100\text{ }^\circ\text{C}$ | 11.8 | A |
| $I_{DM}^{(3)}$ | Drain current (pulsed) | 76 | A |
| $P_{TOT}^{(1)}$ | Total dissipation at $T_C = 25\text{ }^\circ\text{C}$ | 60 | W |
| $P_{TOT}^{(2)}$ | Total dissipation at $T_{pcb} = 25\text{ }^\circ\text{C}$ | 4 | W |
| | Derating factor | 0.03 | W/ $^\circ\text{C}$ |
| T_J T_{stg} | Operating junction temperature Storage temperature | -55 to 150 | $^\circ\text{C}$ |

1. The value is rated according to R_{thj-c}
2. The value is rated according to $R_{thj-pcb}$
3. Pulse width limited by safe operating area

Table 3. Thermal resistance

| Symbol | Parameter | Value | Unit |
|---------------------|----------------------------------|-------|---------------------------|
| $R_{thj-case}$ | Thermal resistance junction-case | 2.08 | $^\circ\text{C}/\text{W}$ |
| $R_{thj-pcb}^{(1)}$ | Thermal resistance junction-pcb | 31.3 | $^\circ\text{C}/\text{W}$ |

1. When mounted on FR-4 board of 1inch², 2oz Cu, $t < 10\text{ sec}$

Table 4. Avalanche data

| Symbol | Parameter | Value | Unit |
|----------|---|-------|------|
| I_{AV} | Not-repetitive avalanche current, (pulse width limited by $T_J\text{ Max}$) | 8.5 | A |
| E_{AS} | Single pulse avalanche energy (starting $T_J = 25\text{ }^\circ\text{C}$, $I_D = I_{AV}$, $V_{DD} = 24\text{ V}$) | 180 | mJ |

Electrical characteristics

STL65N3LLH5

2 Electrical characteristics

(T_{CASE}=25°C unless otherwise specified)

Table 5. On/off states

| Symbol | Parameter | Test conditions | Min. | Typ. | Max. | Unit |
|----------------------|---|---|------|-----------------|------------------|----------|
| V _{(BR)DSS} | Drain-source breakdown voltage | I _D = 250 μA, V _{GS} = 0 | 30 | | | V |
| I _{DSS} | Zero gate voltage drain current (V _{GS} = 0) | V _{DS} = 30 V, V _{DS} = 30 V at T _C = 125 °C | | | 1 10 | μA μA |
| I _{GSS} | Gate body leakage current (V _{DS} = 0) | V _{GS} = ±22 V | | | ±100 | nA |
| V _{GS(th)} | Gate threshold voltage | V _{DS} = V _{GS} , I _D = 250 μA | 1 | 1.65 | 2.5 | V |
| R _{DS(on)} | Static drain-source on resistance | V _{GS} = 10 V, I _D = 9.5 A V _{GS} = 4.5 V, I _D = 9.5 A | | 0.0048 0.006 | 0.0058 0.0075 | Ω Ω |

Table 6. Dynamic

| Symbol | Parameter | Test conditions | Min. | Typ. | Max. | Unit |
|------------------|------------------------------|---|------|------|------|------|
| C _{iss} | Input capacitance | V _{DS} = 25 V, f = 1 MHz, V _{GS} = 0 | - | 1500 | - | pF |
| C _{oss} | Output capacitance | | | 295 | | pF |
| C _{rss} | Reverse transfer capacitance | | | 39 | | pF |
| Q _g | Total gate charge | V _{DD} = 15 V, I _D = 19 A | - | 12 | - | nC |
| Q _{gs} | Gate-source charge | V _{GS} = 4.5 V | | 4 | | nC |
| Q _{gd} | Gate-drain charge | (see Figure 14) | | 4.7 | | nC |

STL65N3LLH5

Electrical characteristics

Table 7. Switching times

| Symbol | Parameter | Test conditions | Min. | Typ. | Max. | Unit |
|--------------|---------------------|---|------|------|------|------|
| $t_{d(on)}$ | Turn-on delay time | $V_{DD}=15\text{ V}$, $I_D=9.5\text{ A}$, $R_G=4.7\ \Omega$, $V_{GS}=10\text{ V}$ <i>(see Figure 13)</i> | - | 9.3 | - | ns |
| t_r | Rise time | | | 14.5 | | ns |
| $t_{d(off)}$ | Turn-off delay time | | | 22.7 | | ns |
| t_f | Fall time | | | 4.5 | | ns |

Table 8. Source drain diode

| Symbol | Parameter | Test conditions | Min. | Typ. | Max. | Unit |
|-----------------|-------------------------------|--|------|------|------|------|
| I_{SD} | Source-drain current | | - | | 19 | A |
| $I_{SDM}^{(1)}$ | Source-drain current (pulsed) | | - | | 76 | A |
| $V_{SD}^{(2)}$ | Forward on voltage | $I_{SD} = 19\text{ A}$, $V_{GS}=0$ | - | | 1.1 | V |
| t_{rr} | Reverse recovery time | $I_{SD} = 19\text{ A}$, $di/dt = 100\text{ A}/\mu\text{s}$, $V_{DD}=25\text{ V}$, $T_j=150\text{ }^\circ\text{C}$ | - | 25 | | ns |
| Q_{rr} | Reverse recovery charge | | | 17.5 | | nC |
| I_{RRM} | Reverse recovery current | | | 1.4 | | A |

1. Pulse width limited by safe operating area
2. Pulsed: pulse duration=300 μs , duty cycle 1.5%

Electrical characteristics

STL65N3LLH5

2.1 Electrical characteristics (curves)

Figure 2. Safe operating area

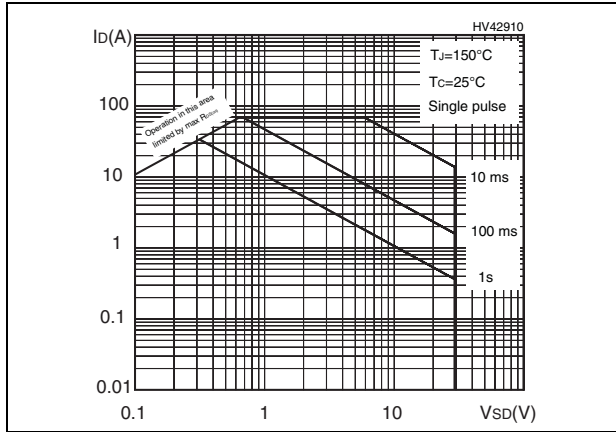


Figure 3. Thermal impedance

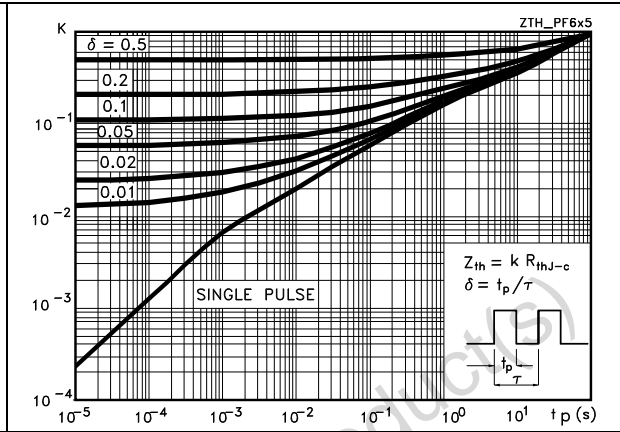


Figure 4. Output characteristics

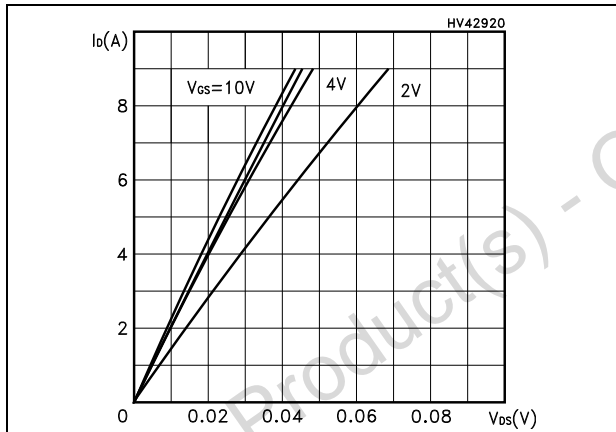


Figure 5. Transfer characteristics

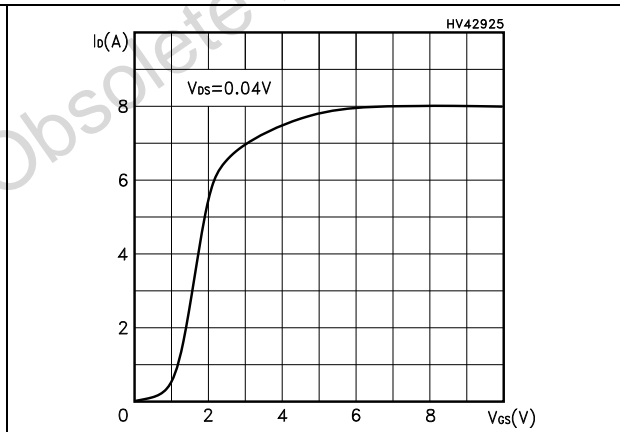


Figure 6. Normalized $B_{V_{DSS}}$ vs temperature

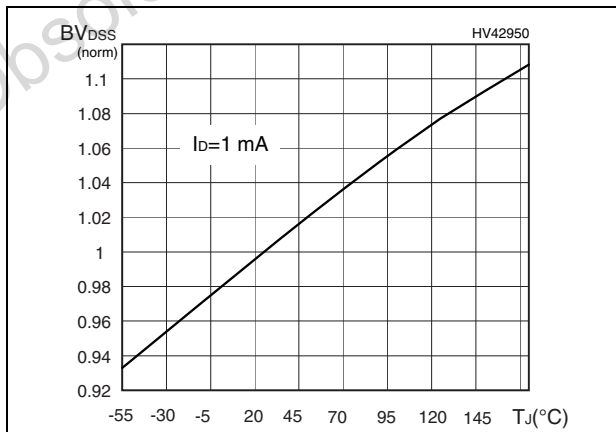
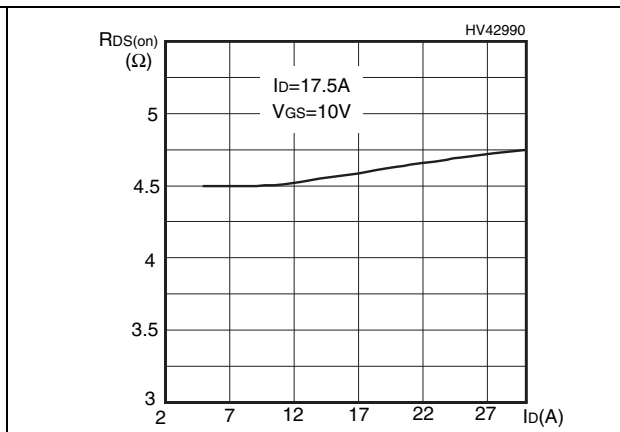


Figure 7. Static drain-source on resistance



STL65N3LLH5

Electrical characteristics

Figure 8. Gate charge vs gate-source voltage **Figure 9. Capacitance variations**

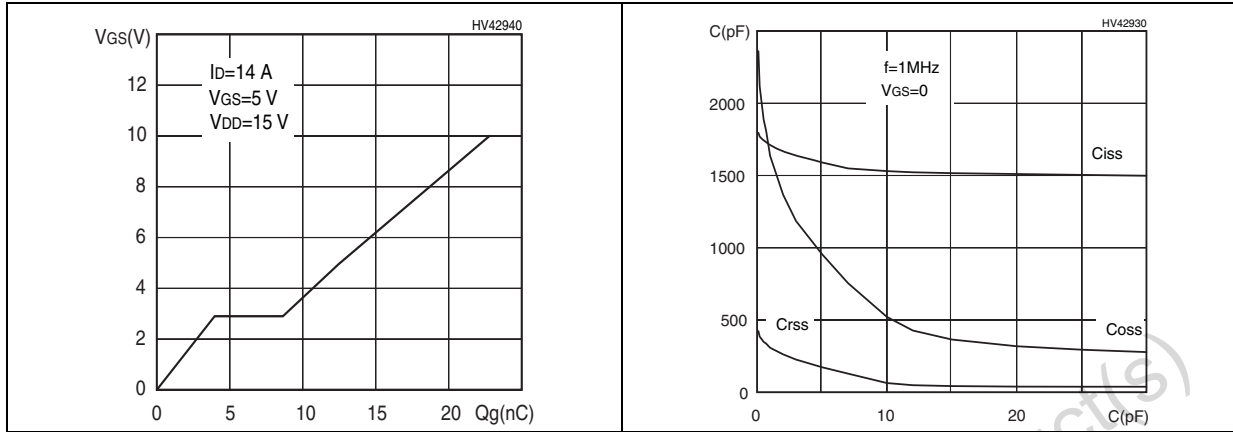


Figure 10. Normalized gate threshold voltage vs temperature

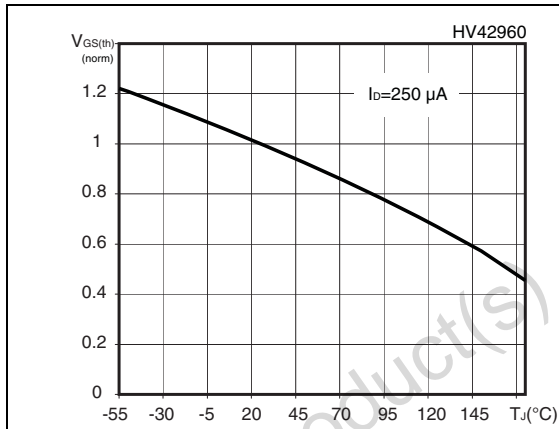


Figure 11. Normalized on resistance vs temperature

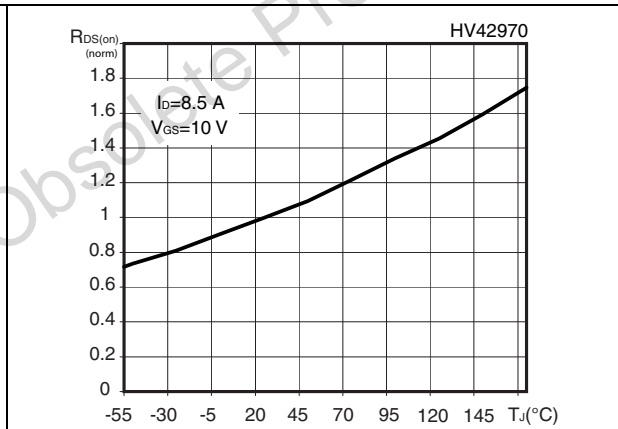
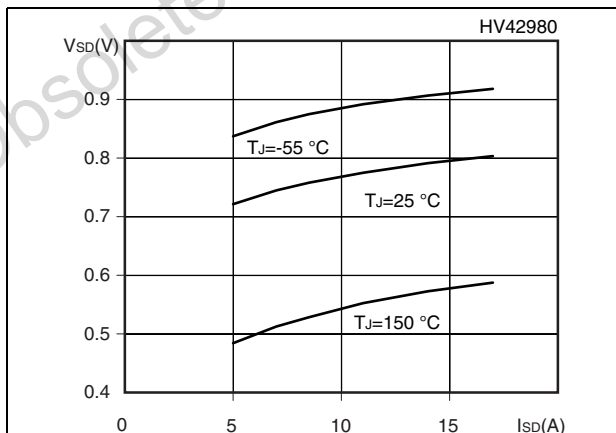


Figure 12. Source-drain diode forward characteristics



3 Test circuits

Figure 13. Switching times test circuit for resistive load

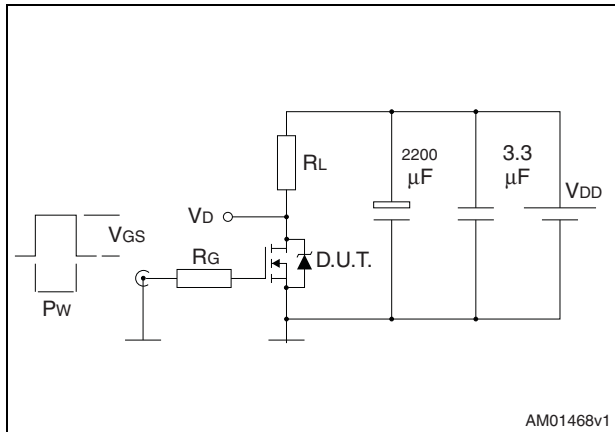


Figure 14. Gate charge test circuit

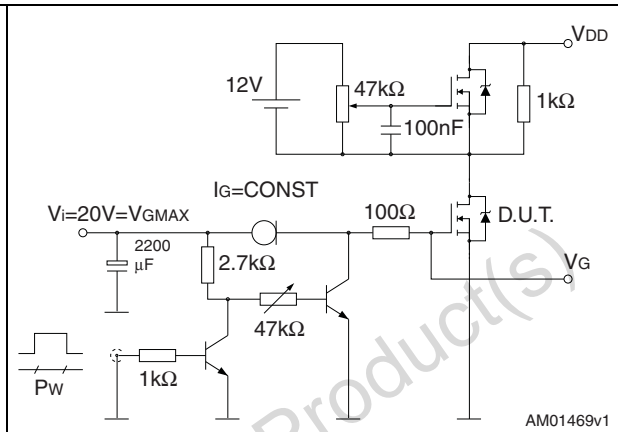


Figure 15. Test circuit for inductive load switching and diode recovery times

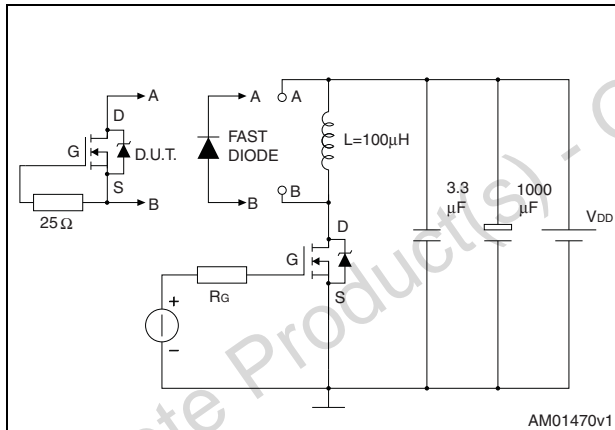


Figure 16. Unclamped inductive load test circuit

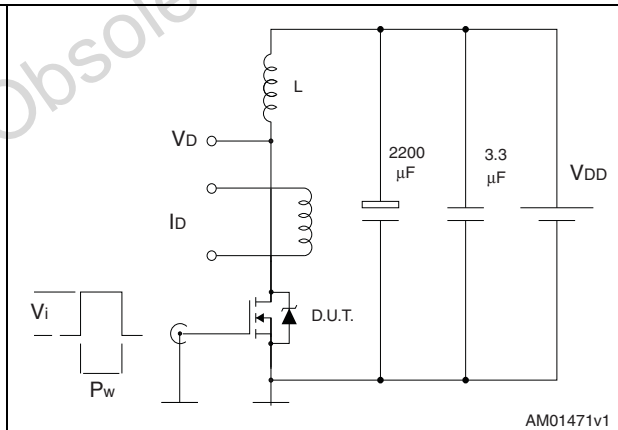


Figure 17. Unclamped inductive waveform

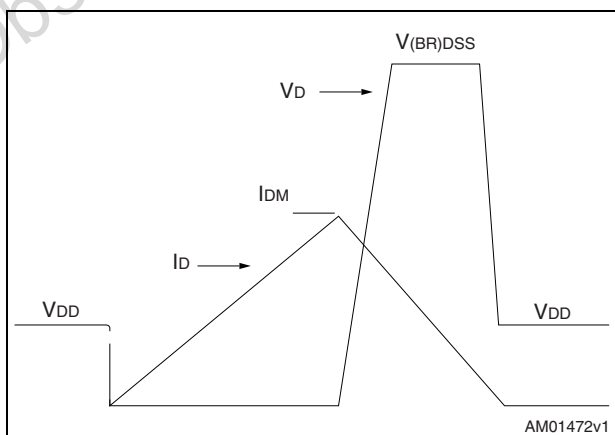
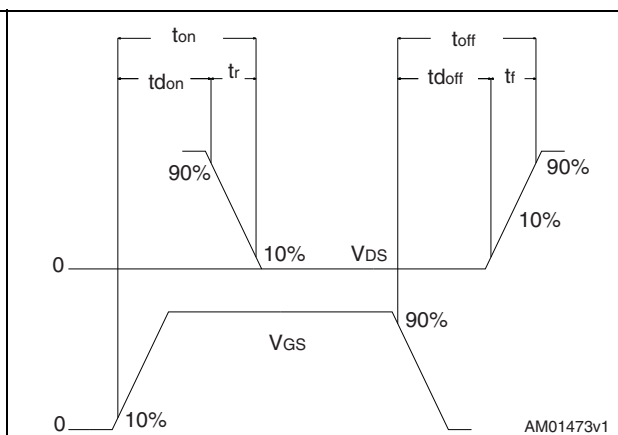


Figure 18. Switching time waveform



4 Package mechanical data

In order to meet environmental requirements, ST offers these devices in different grades of ECOPACK[®] packages, depending on their level of environmental compliance. ECOPACK[®] specifications, grade definitions and product status are available at: www.st.com. ECOPACK is an ST trademark.

Obsolete Product(s) - Obsolete Product(s)

Package mechanical data

STL65N3LLH5

Table 9. PowerFLAT™ 5x6 type C-B mechanical data

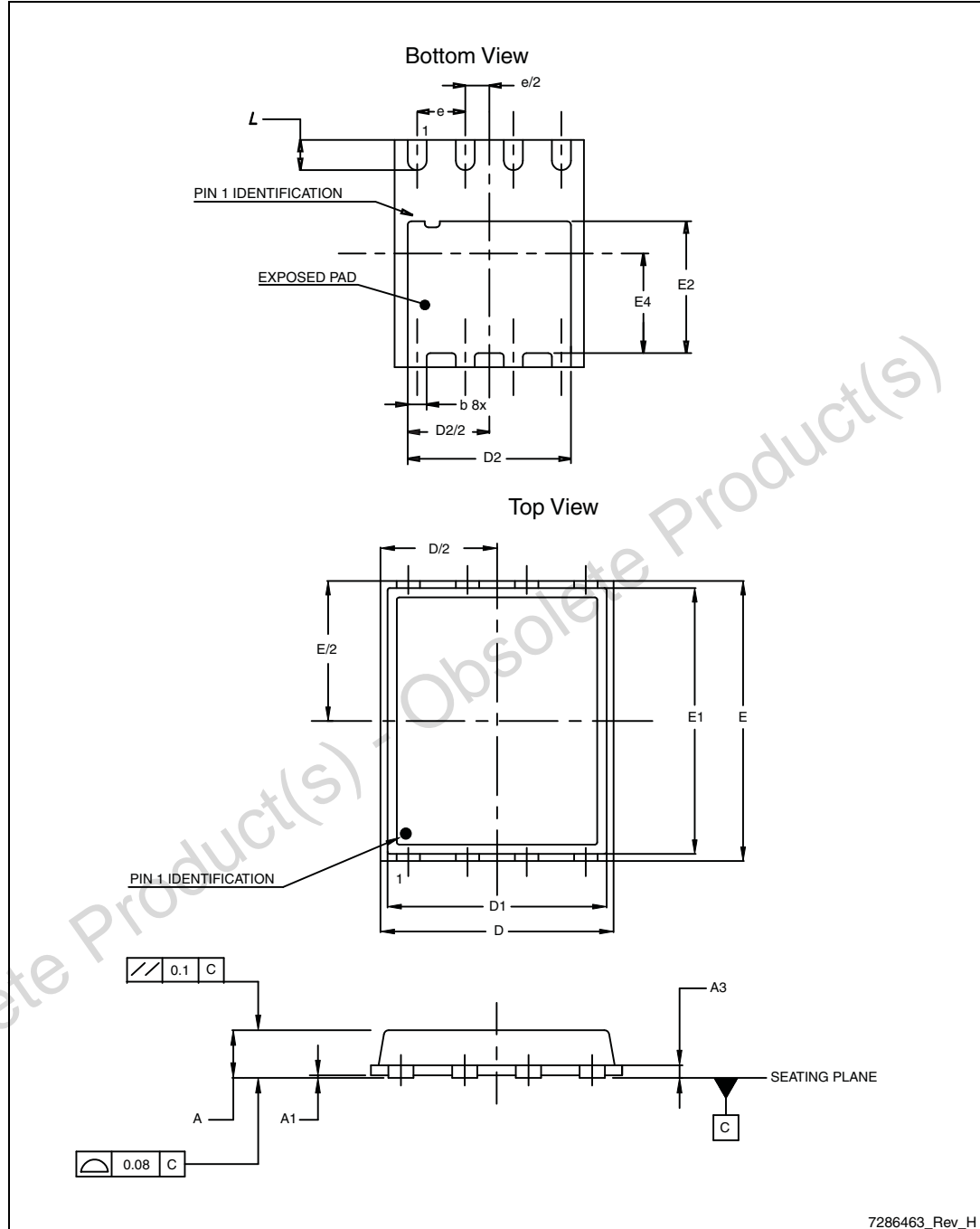
| Dim. | mm | | |
|------|------|------|------|
| | Min. | Typ. | Max. |
| A | 0.80 | 0.83 | 0.93 |
| A1 | 0 | 0.02 | 0.05 |
| A3 | | 0.20 | |
| b | 0.35 | 0.40 | 0.47 |
| D | | 5.00 | |
| D1 | | 4.75 | |
| D2 | 4.15 | 4.20 | 4.25 |
| E | | 6.00 | |
| E1 | | 5.75 | |
| E2 | 3.43 | 3.48 | 3.53 |
| E4 | 2.58 | 2.63 | 2.68 |
| e | | 1.27 | |
| L | 0.70 | 0.80 | 0.90 |

Obsolete Product(s) - Obsolete Product(s)

STL65N3LLH5

Package mechanical data

Figure 19. PowerFLAT™ 5x6 type C-B drawing



Package mechanical data

STL65N3LLH5

Table 10. PowerFLAT™ 5x6 type S-C mechanical data

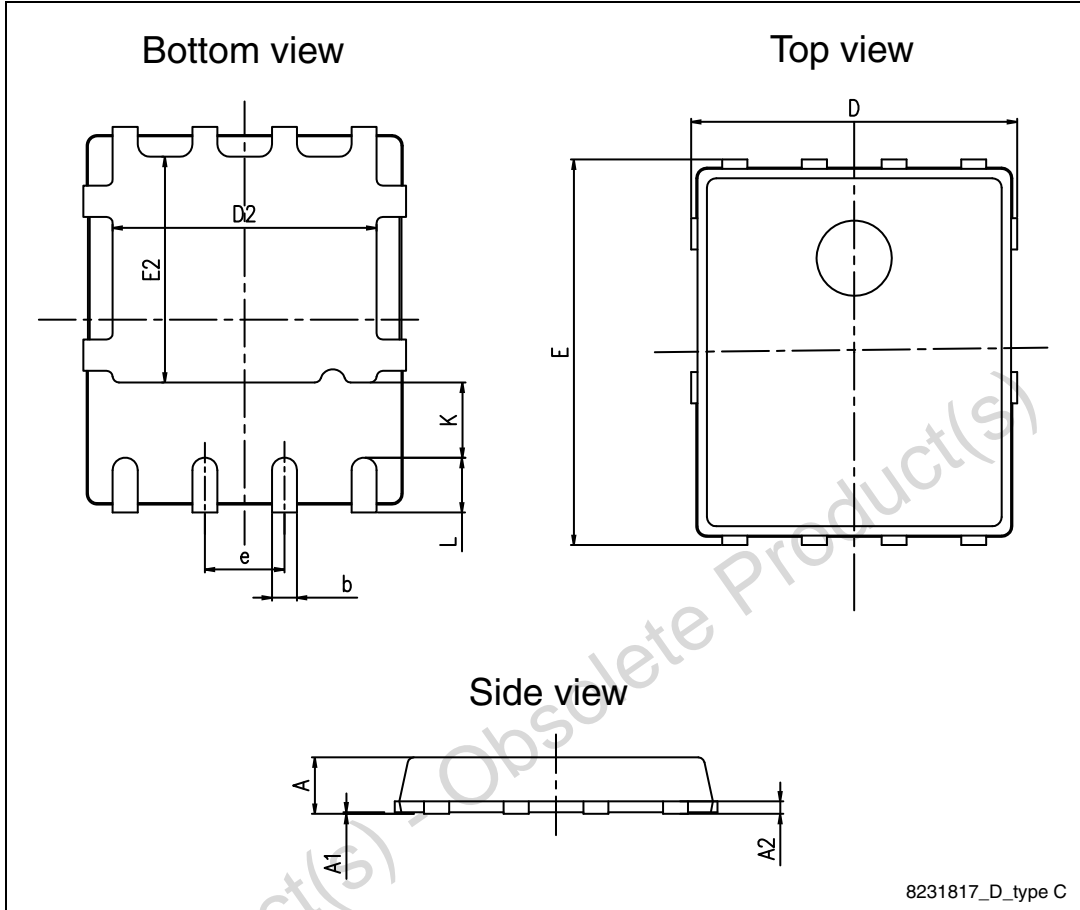
| Dim. | mm | | |
|------|-------|------|-------|
| | Min. | Typ. | Max. |
| A | 0.80 | | 1.00 |
| A1 | 0.02 | | 0.05 |
| A2 | | 0.25 | |
| b | 0.30 | | 0.50 |
| D | | 5.20 | |
| E | | 6.15 | |
| D2 | 4.11 | | 4.31 |
| E2 | 3.50 | | 3.70 |
| e | | 1.27 | |
| e1 | | 0.65 | |
| L | 0.715 | | 1.015 |
| K | 1.05 | | 1.35 |

Obsolete Product(s) - Obsolete Product(s)

STL65N3LLH5

Package mechanical data

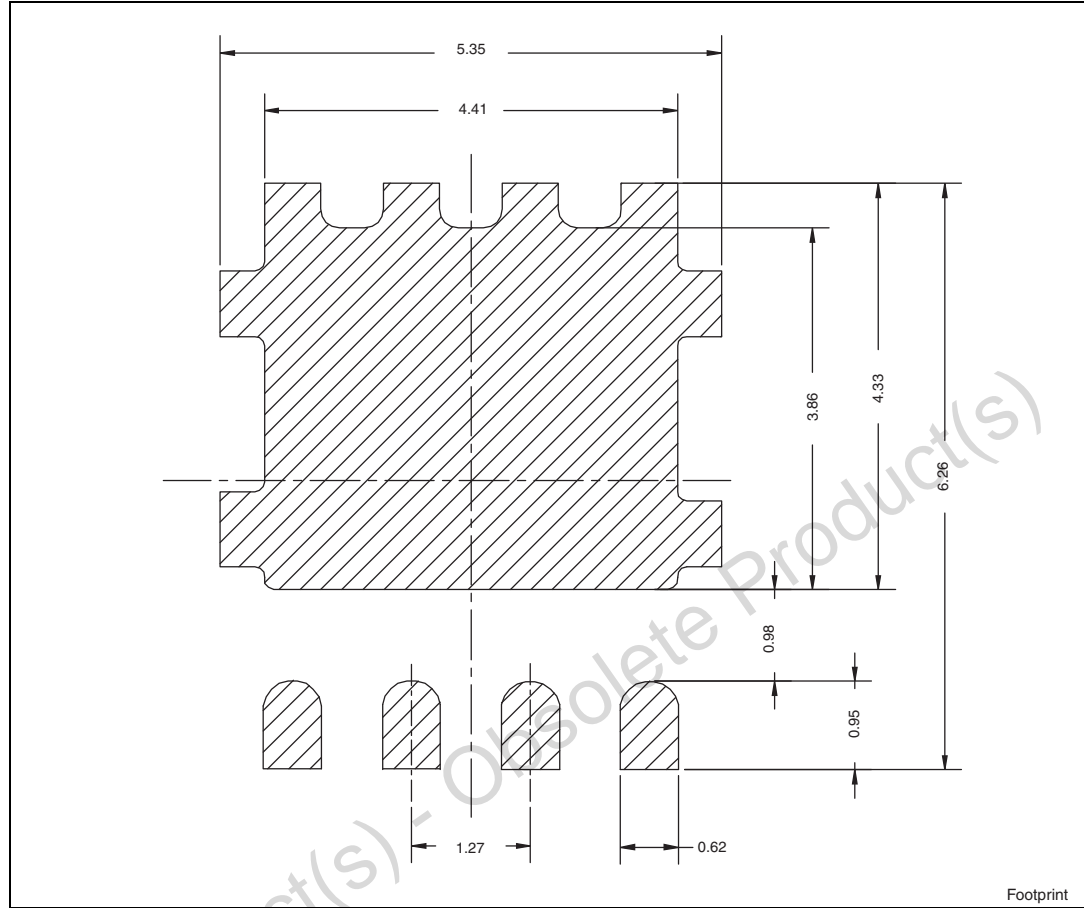
Figure 20. PowerFLAT™ 5x6 type S-C mechanical data



Package mechanical data

STL65N3LLH5

Figure 21. PowerFLAT™ 5x6 recommended footprint (dimensions in mm)



5 Revision history

Table 11. Document revision history

| Date | Revision | Changes |
|-------------|----------|---|
| 04-Jan-2007 | 1 | First release |
| 01-Apr-2008 | 2 | Document status promoted from preliminary data to datasheet. |
| 07-May-2008 | 3 | Updated Figure 9: Capacitance variations . |
| 23-Sep-2008 | 4 | V_{GS} value has been changed on Table 2 and Table 5 . |
| 02-Dec-2011 | 5 | Figure 7: Static drain-source on resistance has been modified. Section 4: Package mechanical data has been updated. Minor text changes. |

Obsolete Product(s) - Obsolete Product(s)

Please Read Carefully:

Information in this document is provided solely in connection with ST products. STMicroelectronics NV and its subsidiaries ("ST") reserve the right to make changes, corrections, modifications or improvements, to this document, and the products and services described herein at any time, without notice.

All ST products are sold pursuant to ST's terms and conditions of sale.

Purchasers are solely responsible for the choice, selection and use of the ST products and services described herein, and ST assumes no liability whatsoever relating to the choice, selection or use of the ST products and services described herein.

No license, express or implied, by estoppel or otherwise, to any intellectual property rights is granted under this document. If any part of this document refers to any third party products or services it shall not be deemed a license grant by ST for the use of such third party products or services, or any intellectual property contained therein or considered as a warranty covering the use in any manner whatsoever of such third party products or services or any intellectual property contained therein.

UNLESS OTHERWISE SET FORTH IN ST'S TERMS AND CONDITIONS OF SALE ST DISCLAIMS ANY EXPRESS OR IMPLIED WARRANTY WITH RESPECT TO THE USE AND/OR SALE OF ST PRODUCTS INCLUDING WITHOUT LIMITATION IMPLIED WARRANTIES OF MERCHANTABILITY, FITNESS FOR A PARTICULAR PURPOSE (AND THEIR EQUIVALENTS UNDER THE LAWS OF ANY JURISDICTION), OR INFRINGEMENT OF ANY PATENT, COPYRIGHT OR OTHER INTELLECTUAL PROPERTY RIGHT.

UNLESS EXPRESSLY APPROVED IN WRITING BY TWO AUTHORIZED ST REPRESENTATIVES, ST PRODUCTS ARE NOT RECOMMENDED, AUTHORIZED OR WARRANTED FOR USE IN MILITARY, AIR CRAFT, SPACE, LIFE SAVING, OR LIFE SUSTAINING APPLICATIONS, NOR IN PRODUCTS OR SYSTEMS WHERE FAILURE OR MALFUNCTION MAY RESULT IN PERSONAL INJURY, DEATH, OR SEVERE PROPERTY OR ENVIRONMENTAL DAMAGE. ST PRODUCTS WHICH ARE NOT SPECIFIED AS "AUTOMOTIVE GRADE" MAY ONLY BE USED IN AUTOMOTIVE APPLICATIONS AT USER'S OWN RISK.

Resale of ST products with provisions different from the statements and/or technical features set forth in this document shall immediately void any warranty granted by ST for the ST product or service described herein and shall not create or extend in any manner whatsoever, any liability of ST.

ST and the ST logo are trademarks or registered trademarks of ST in various countries.

Information in this document supersedes and replaces all information previously supplied.

The ST logo is a registered trademark of STMicroelectronics. All other names are the property of their respective owners.

© 2011 STMicroelectronics - All rights reserved

STMicroelectronics group of companies

Australia - Belgium - Brazil - Canada - China - Czech Republic - Finland - France - Germany - Hong Kong - India - Israel - Italy - Japan - Malaysia - Malta - Morocco - Philippines - Singapore - Spain - Sweden - Switzerland - United Kingdom - United States of America

www.st.com