

## **Excellent Integrated System Limited**

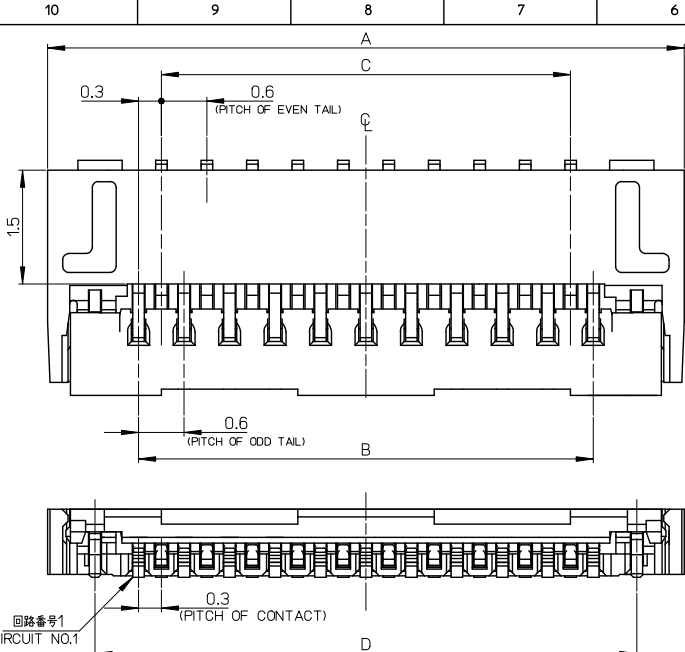
Stocking Distributor

Click to view price, real time Inventory, Delivery & Lifecycle Information:

[Molex Connector Corporation](#)  
[501628-2191](#)

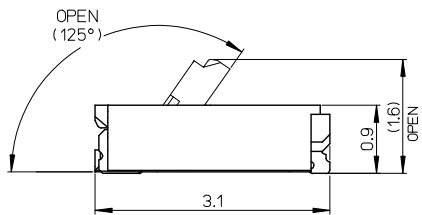
For any questions, you can email us directly:

[sales@integrated-circuit.com](mailto:sales@integrated-circuit.com)

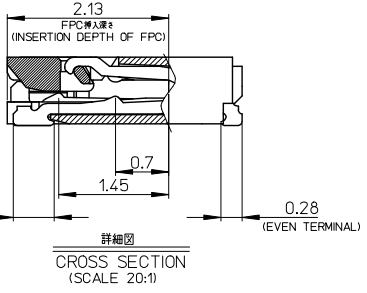


注記  
NOTES:  
1.材質  
MATERIAL  
ハウジング: LCP (液晶ポリマー)、ガラス充填、UL94V-0  
HOUSING: LCP (LIQUID CRYSTAL POLYMER),  
GLASS FILLED, UL94V-0  
アクチュエータ: ナイロン、ガラス充填、UL94V-0  
ACTUATOR: NYLON (POLYAMIDE),  
GLASS FILLED, UL94V-0  
ターミナル: 銅合金 (t=0.15)  
TERMINAL: COPPER ALLOY (t=0.15)  
金具: 銅合金 (t=0.15)  
NAIL: COPPER ALLOY (t=0.15)

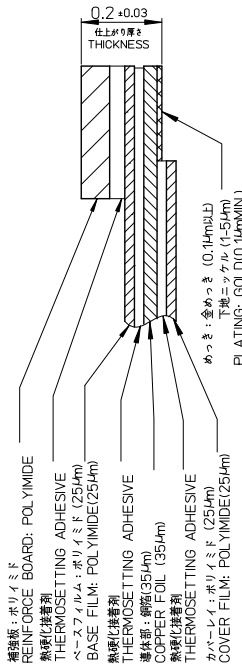
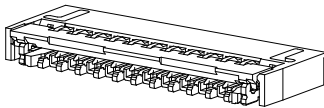
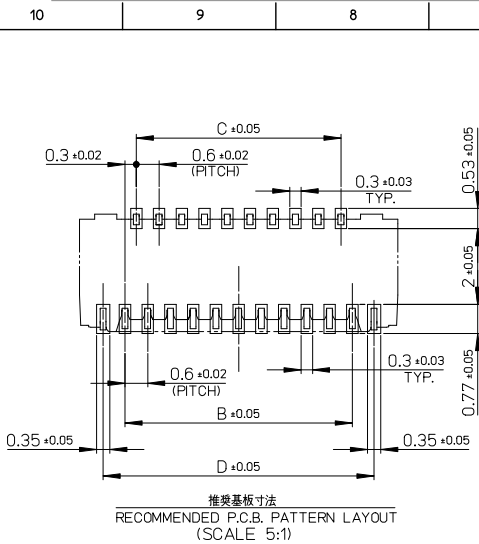
2.めっき仕様  
PLATING  
ターミナル  
TERMINAL  
部分めっき  
SEPARATED GOLD PLATING  
下地ニッケルめっき  
UNDER PLATING: NICKEL PLATING  
金具  
NAIL  
めっき  
TIN PLATING  
下地ニッケルめっき  
UNDER PLATING: NICKEL PLATING  
3.平坦度は、0.1ミリ以下とする。  
TAILS COPLANARITY TO BE 0.1 MAXIMUM.  
4.ELV及びRoHS適合品  
ELV AND RoHS COMPLIANT



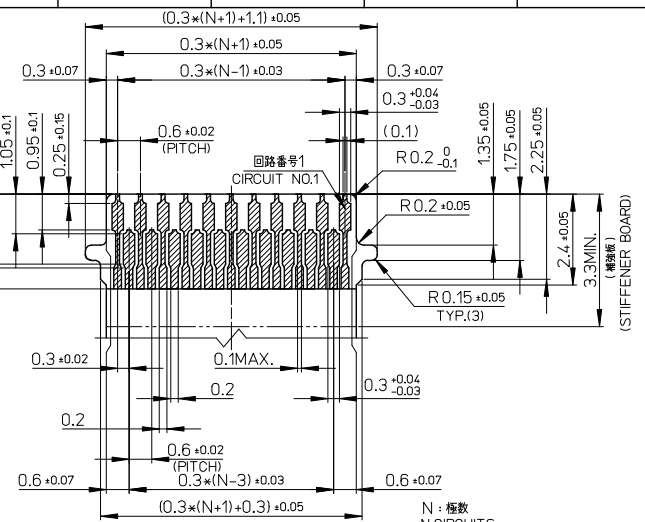
0.10	16.15	14.4	15	17.4	501628-5191	51
0.089	14.35	12.6	13.2	15.6	501628-4591	45
0.078	12.55	10.8	11.4	13.8	501628-3991	39
0.075	11.95	10.2	10.8	13.2	501628-3791	37
0.071	11.35	9.6	10.2	12.6	501628-3591	35
0.067	10.75	9.0	9.6	12.0	501628-3391	33
0.064	10.15	8.4	9	11.4	501628-3191	31
0.056	8.95	7.2	7.8	10.2	501628-2791	27
0.046	7.15	5.4	6	8.4	501628-2191	21
0.028	4.15	2.4	3	5.4	501628-1191	11
重さ (g) WEIGHT (g)	D	C	B	A	EMBOSSED PACKAGE オーダー番号 ORDER No.	極数 CIRCUITS



REVISED EC NO. J2010-0068 DRAWN BY: DRWANKUSATO 2009/07/30 CHECKED BY: CHIKOSHIMUYAMA 2009/07/31 APPROVED BY: APRR-KMORIKAWA 2009/07/31	GENERAL TOLERANCES (UNLESS SPECIFIED)		DIMENSION STYLE	SCALE	DESIGN UNITS	THIRD ANGLE PROJECTION
	10 UNDER	± 0.2	MM ONLY	40:1	METRIC	⊙ □
	10 OVER 30 UNDER	± 0.25				
	30 OVER	± 0.3				
	ANGULAR	± 1 °				
	DRAFT WHERE APPLICABLE MUST REMAIN WITHIN DIMENSIONS		MATERIAL NO.	DOCUMENT NO.	SHEET NO.	
			SEE TABLE	SD-501628-001	1 OF 2	
			THIS DRAWING CONTAINS INFORMATION THAT IS PROPRIETARY TO MOLEX INCORPORATED AND SHOULD NOT BE USED WITHOUT WRITTEN PERMISSION			



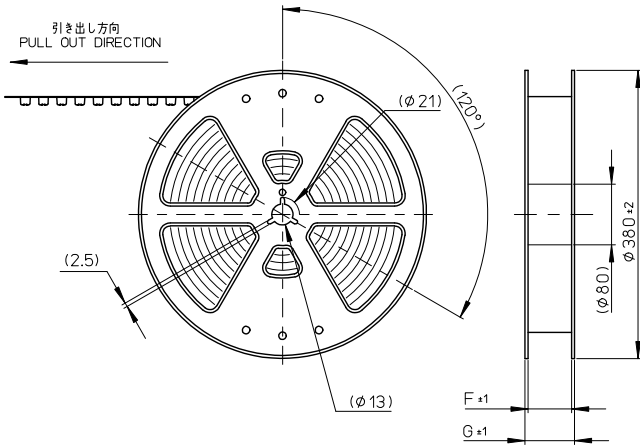
FPC構成推奨仕様  
STRUCTURE OF FPC



REVISED EC NO. J2010-0068 DRAWN BY: DRWANKUSATO 2009/07/30 CHECKED BY: CHIKDHSHIYAMA 2009/07/31 APPROVED BY: APPR:KORIKAWA 2009/07/31	GENERAL TOLERANCES (UNLESS SPECIFIED)		DIMENSION STYLE	SCALE	DESIGN UNITS	THIRD ANGLE PROJECTION
			MM ONLY	40:1	METRIC	
	10 UNDER	±0.2	DRAWN BY DATE	TITLE		
	10 OVER 30 UNDER	±0.25	HSHI MOYAMA 2005/03/25	0.3 FPC CONN. (H=0.9) HS'G ASSY BOTTOM CONTACT NICKEL BARRIER		
		30 OVER	±0.3	CHECKED BY DATE	MOLEX INCORPORATED	
		ANGULAR	±1 °	APPROVED BY DATE	MATERIAL NO. DOCUMENT NO.	
		DRAFT WHERE APPLICABLE MUST REMAIN WITHIN DIMENSIONS		MSASAO 2005/03/25	SEE TABLE SD-501628-001	
				SHEET NO. 2 OF 2		
				THIS DRAWING CONTAINS INFORMATION THAT IS PROPRIETARY TO MOLEX INCORPORATED AND SHOULD NOT BE USED WITHOUT WRITTEN PERMISSION		

10 9 8 7 6 5 4 3 2 1

引き出し方向  
PULL OUT DIRECTION



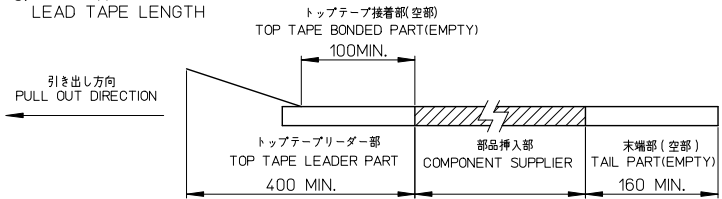
注記)

NOTES

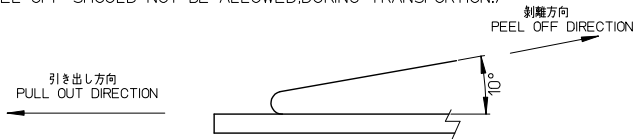
1.製品番号501628-\*\*\*11の詳細寸法は、製品単体図面を参照下さい。  
IN THE PACKAGE PART NUMBER 501628-\*\*\*11 DETAIL DIMENSIONS,  
SEE SALES DRAWING FOR CONNECTOR.

2.梱包数量:3000個/リール  
NUMBER OF CONNECTORS : 3000 PCS/REEL

3.リードテープ長さ  
LEAD TAPE LENGTH



4.トップテープの剥離強度(剥離方向は下図参照)  
PEELING OFF FORCE OF TOP TAPE (PEELING DIRECTION AS SHOWN IN FOLLOWING FIGURE)  
0.1-1.3N (10-130gf)  
尚、本規格値は出荷時に適用。  
THIS REQUIREMENT SHOULD BE APPLIED AT SHIPMENT.  
(但し、輸送時に剥離が発生しないこと)  
(PEEL OFF SHOULD NOT BE ALLOWED DURING TRANSPORTION.)



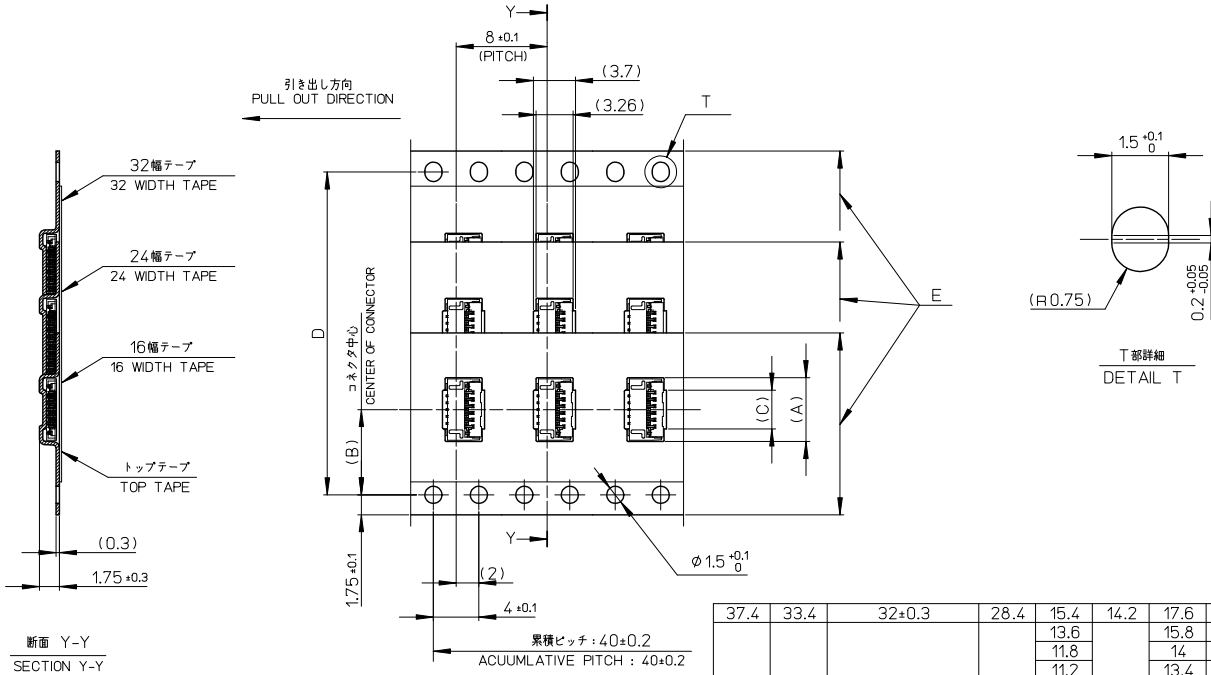
5.材料

MATERIAL  
キャリアテープ:ポリスチレン(PS)  
CARRIER TAPE:POLYSTYRENE(PS)  
トップテープ:PET,PE,PEF  
TOP TAPE :PET,PE,PEF  
リール:ポリスチレン  
REEL:POLYSTYLENE

6.ELV及びRoHS適合品  
ELV AND RoHS COMPLIANT

REVISED EC NO. J2010-0068 DRAWN BY: DRWANKUSATO 2009/07/30 CHECKED BY: CHIKOSHIMUYAMA 2009/07/31 APPROVED BY: APPR:KORIKAWA 2009/07/31	GENERAL TOLERANCES (UNLESS SPECIFIED)		DIMENSION STYLE MM ONLY		SCALE ---	DESIGN UNITS METRIC	THIRD ANGLE PROJECTION
	10 UNDER	±---	DRAWN BY	DATE	TITLE		
	10 OVER 30 UNDER	±---	HSI MOYAMA	2005/08/22	0.3 FPC CONN.(FOR 501628-***11) TAPING PACKAGE NICKEL BARRIER		
	30 OVER	±---	CHECKED BY	DATE	MOLEX INCORPORATED		
ANGULAR	±---°	HIRATA	2005/08/22	APPROVED BY		DATE	MATERIAL NO.
DRAFT WHERE APPLICABLE MUST REMAIN WITHIN DIMENSIONS		SEE TABLE		MSASAO		2005/08/22	DOCUMENT NO.
		SIZE A3		THIS DRAWING CONTAINS INFORMATION THAT IS PROPRIETARY TO MOLEX INCORPORATED AND SHOULD NOT BE USED WITHOUT WRITTEN PERMISSION			SHEET NO. 1 OF 2

10 9 8 7 6 5 4 3 2 1



37.4	33.4	32±0.3	28.4	15.4	14.2	17.6	501628-5191	51
29.4	25.4	24±0.3	--	13.6	11.5	15.8	501628-4591	45
				11.8		14	501628-3991	39
				11.2		13.4	501628-3791	37
				10.6		12.8	501628-3591	35
				10.0		12.2	501628-3391	33
21.4	17.4	16±0.3	--	9.4	7.5	11.6	501628-3191	31
				8.2		10.4	501628-2791	27
				6.4		8.6	501628-2191	21
				3.4		5.6	501628-1191	11
				G		F	E	D

REVISED EC NO. J2010-0068 DRAWN BY: DRWANKUSATO 2009/07/30 CHECKED BY: CHIKOSHIMUYAMA 2009/07/31 APPROVED BY: APPR:KIMORIYAMA 2009/07/31	GENERAL TOLERANCES (UNLESS SPECIFIED)		DIMENSION STYLE MM ONLY		SCALE ---	DESIGN UNITS METRIC	THIRD ANGLE PROJECTION	
	10 UNDER	±---	DRAWN BY	DATE	TITLE			
	10 OVER 30 UNDER	±---	HSHI MOYAMA	2005/08/22	0.3 FPC CONN.(FOR 501628 --**11) TAPING PACKAGE NICKEL BARRIER			
	30 OVER	±---	HIRATA	2005/08/22	MOLEX INCORPORATED			
ANGULAR	±--- °	APPROVED BY	DATE	MATERIAL NO.	DOCUMENT NO.	SHEET NO.		
DRAFT WHERE APPLICABLE MUST REMAIN WITHIN DIMENSIONS		SEE TABLE		SD-501628-003		2 OF 2		
THIS DRAWING CONTAINS INFORMATION THAT IS PROPRIETARY TO MOLEX INCORPORATED AND SHOULD NOT BE USED WITHOUT WRITTEN PERMISSION								