

## Excellent Integrated System Limited

Stocking Distributor

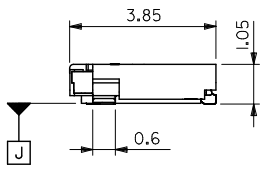
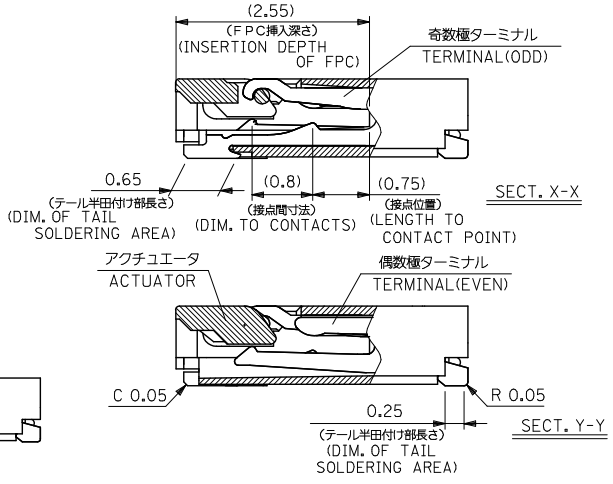
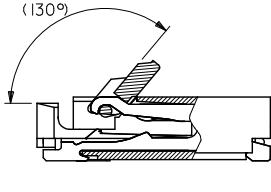
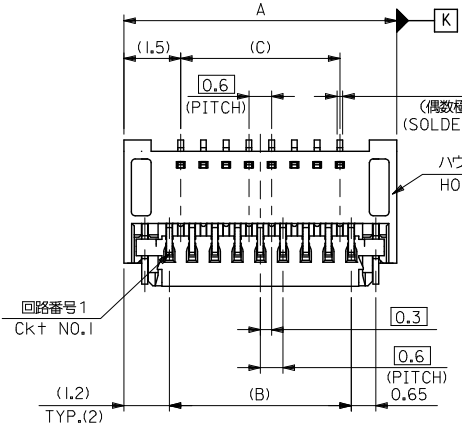
Click to view price, real time Inventory, Delivery & Lifecycle Information:

[Molex Connector Corporation](#)  
[5007971194](#)

For any questions, you can email us directly:

[sales@integrated-circuit.com](mailto:sales@integrated-circuit.com)

10 9 8 7 6 5 4 3 2 1

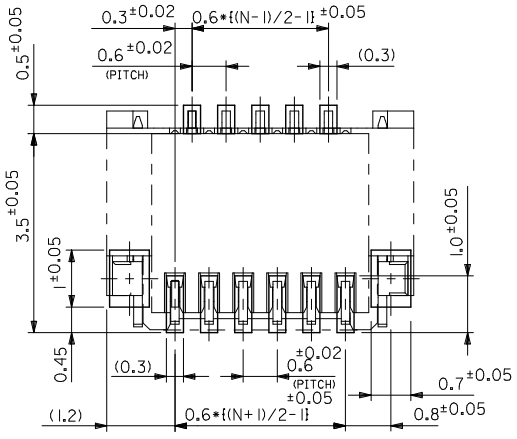


10.2	9.0	9.6	12.0	500797-3394	500797-3350	33
9.6	8.4	9.0	11.4	500797-3194	500797-3150	31
8.4	7.2	7.8	10.2	500797-2794	500797-2750	27
7.2	6.0	6.6	9.0	500797-2394	500797-2350	23
3.6	2.4	3.0	5.4	500797-1194	500797-1150	11
D	C	B	A	EMBOSSED TAPE	MATERIAL NO.	CKT.
				ORDER No. オダー番号		

REVISED EC NO: J2016-1099 DRAWN: TAKAHASHI 04/2016/04/19 CHK: KAKIYAMA 2016/04/26 APPR: IKUSUHARA01 2016/04/28 REV J	GENERAL TOLERANCES (UNLESS SPECIFIED)		DIMENSION STYLE MM ONLY		SCALE ---	DESIGN UNITS METRIC	MODEL No. 500797-***50	THIRD ANGLE PROJECTION
	0.25 UNDER	UNDER	±0.03	DRAWN BY	DATE	TITLE		
	0.25 OVER	0.5 UNDER	±0.05	YMAEDA	2006/03/07	0.3 FPC CONN E/O HSG		
	0.5 OVER	1.0 UNDER	±0.1	CHECKED BY	DATE	ASSY (HGT=1.05MM)		
	1.0 OVER	10 UNDER	±0.2	MTANAKA	2006/03/07	GOLD PLATING -LEAD FREE-		
10 OVER	30 UNDER	±0.25	APPROVED BY	DATE	<b>molex</b>			
30 OVER		±0.3	NUKITA	2006/03/07	DOCUMENT NO.			
ANGULAR	±3 °		MATERIAL NO.		SEE TABLE		SD-500797-005	SHEET NO.
DRAFT WHERE APPLICABLE MUST REMAIN WITHIN DIMENSIONS			SIZE	THIS DRAWING CONTAINS INFORMATION THAT IS PROPRIETARY TO MOLEX ELECTRONIC TECHNOLOGIES, LLC AND SHOULD NOT BE USED WITHOUT WRITTEN PERMISSION				
			A3	1 OF 2				

9 8 7 6 5 4 3 2 1

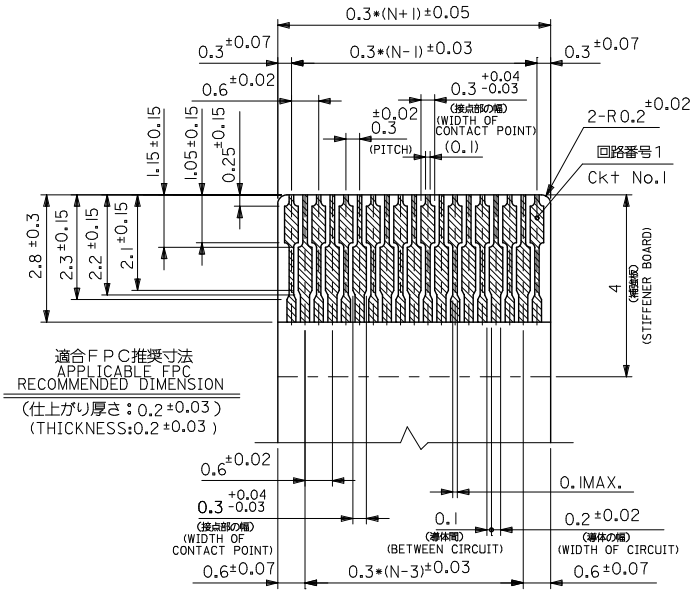
10 9 8 7 6 5 4 3 2 1



参考基板レイアウト図  
(マウント面)  
(MOUNTING SIDE)

注記 NOTES

- 使用材料 MATERIAL  
ハウジング : 液晶ポリマー ガラス充填 UL94V-0  
HOUSING : LIQUID CRYSTAL POLYMER (GLASS FILLED) UL94V-0  
アクチュエータ : 46 ナylon ガラス充填 UL94V-0  
ACTUATOR : 46 NYLON (GLASS FILLED) UL94V-0  
ターミナル : 銅合金 (t=0.15), ニッケル下地金メッキ  
TERMINAL : COPPER ALLOY, GOLD OVER NICKEL PLATING.  
金具 : リン青銅 (t=0.15), ニッケル下地スズメッキ  
FITTING NAIL : PHOSPHOR-BRONZE, TIN OVER NICKEL PLATING.
- △ ソルダータール半田付け面のズレ量、及び金具半田付け面のズレ量は、基準面 □ に対し、  
上方向 0.1MAXIMUM、下方向 0.15MAXIMUM とする。  
又、相互のバツキ量は 0.1MAXIMUM とする。  
MISALIGNMENT OF SOLDER TAILS AND FITTING NAILS FROM □  
UPPER DIRECTION : 0.1 MAXIMUM, LOWER DIRECTION : 0.15 MAXIMUM.  
OFFSET BETWEEN SOLDER TAILS AND FITTING NAILS : 0.1 MAXIMUM.



適用FPC推奨寸法  
APPLICABLE FPC  
RECOMMENDED DIMENSION  
(仕上がり厚さ: 0.2±0.03)  
(THICKNESS: 0.2±0.03)

FPCについて:  
打抜き方向は導体側から補強板側を推奨いたします。  
導体側については軟銅箔35マイクロメートルまたは50マイクロメートルを  
推奨致します。  
補強フィルム材質はポリイミドを推奨します。  
接着剤は熱硬化接着剤を推奨します。

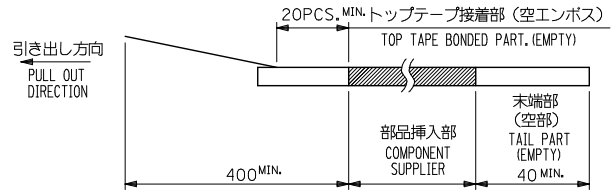
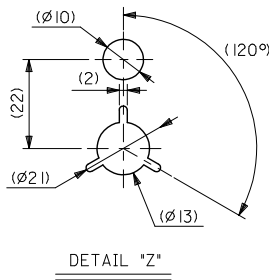
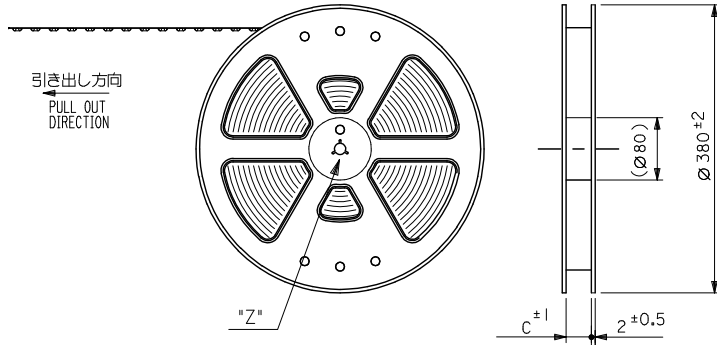
ABOUT FPC  
RECOMMENDED PUNCHER DIRECTION : FROM CONDUCTOR SIDE TO STIFFENER FILM SIDE.  
RECOMMENDED CONDUCTOR SPEC :  
THICKNESS OF SOFT COPPER FOIL : 35 MICROMETER OR 50 MICROMETER  
RECOMMENDED MATERIAL :  
STIFFENER FILM : POLYIMIDE  
BONDING AGENT : THERMOSETTING BONDING AGENT

REVISED EC NO: J2016-1099 DRAWN: TAKAHASHI 04/2016/04/19 CHK: KIKUCHI 2016/04/26 APPR: IKUSABARA01 2016/04/28	GENERAL TOLERANCES (UNLESS SPECIFIED)		DIMENSION STYLE MM ONLY		SCALE ---	DESIGN UNITS METRIC	500797-***50	MODEL NO.
	0.25 UNDER	UNDER	±0.03	DRAWN BY YMAEDA	DATE 2006/03/06	TITLE 0.3 FPC CONN E/O HSG ASSY (HGT=1.05MM) GOLD PLATING -LEAD FREE-		
	0.25 OVER	0.5 UNDER	±0.05	CHECKED BY MTANAKA	DATE 2006/03/06			
	0.5 OVER	1.0 UNDER	±0.1	APPROVED BY NUKITA	DATE 2006/03/06			
	10 OVER	30 UNDER	±0.25	MATERIAL NO.		DOCUMENT NO.	SD-500797-005	SHEET NO. 2 OF 2
	30 OVER		±0.3	SEE TABLE				
	ANGULAR	±3°		THIS DRAWING CONTAINS INFORMATION THAT IS PROPRIETARY TO MOLEX ELECTRONIC TECHNOLOGIES, LLC AND SHOULD NOT BE USED WITHOUT WRITTEN PERMISSION				

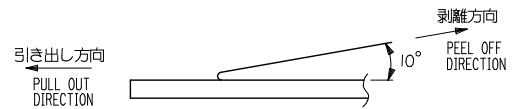
9 8 7 6 5 4 3 2 1

**NOTES**

1. 製品詳細寸法については図面 SD-500797-005 を参照下さい。  
RE DETAILED DIMENSION, SEE SD-500797-005
2. 梱包数量: 3000個/リール  
NUMBER OF CONNECTORS : 3000PCS/REEL
3. リードテープ長さ LEAD TAPE LENGTH



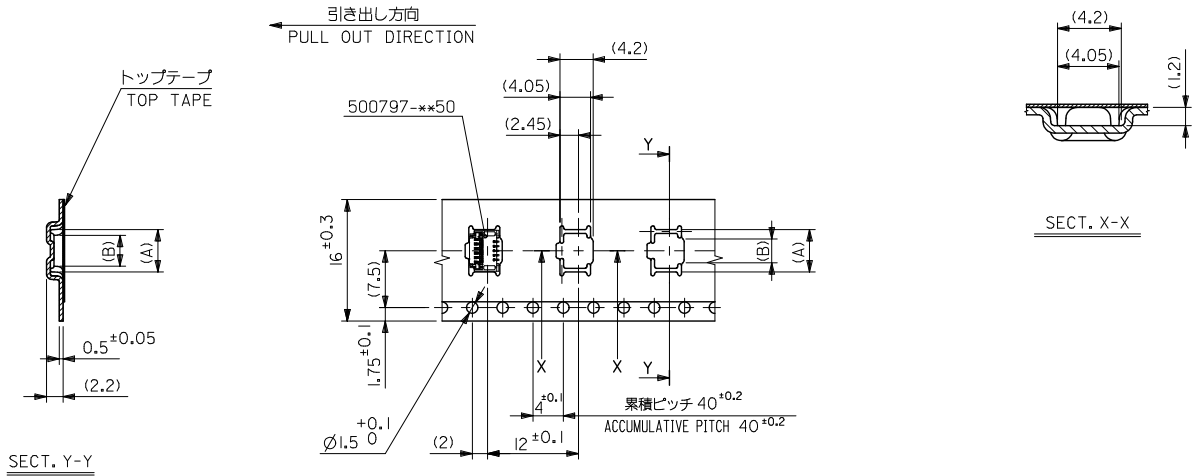
4. トップテープの剥離強度: 0.1N ~ 1.3N(10.2gf ~ 132.6gf)  
(剥離方向は下図参照)  
尚、本規格値は出荷時に適用。(但し、輸送時に剥離が発生しないこと。)  
PEELING OFF FORCE OF TOP TAPE : 0.1N ~ 0.7N(10.2gf ~ 71.4gf)  
(PEELING DIRECTION AS SHOWN IN FOLLOWING FIG.)  
THIS REQUIREMENT SHOULD BE APPLIED AT SHIPMENT.  
PEEL OFF SHOULD NOT BE ALLOWED ,DURING TRANSPORTATION.



5. 材料 (MATERIAL)  
キャリアテープ (CARRIER TAPE) : ポリプロピレン (POLYPROPYLENE)  
トップテープ (TOPTAPE) : PET , PE , PEF  
リール (REEL) : ポリスチレン (PS) <リサイクル材含む>  
POLYSTYREN (PS) <RECYCLE MATERIAL CONTAINED>
6. C寸法は SHEET 2 ~ 4 を参照下さい。  
SEE SHEET 2 ~ 4 (DIMENSION C).
7. 欠品無きこと。  
THERE SHALL BE NO MISSING PRODUCTS.

REVISED EC NO: J2016-1099 DRAWN: TAKAHASHI 04/2016/04/19 CHKD: TAKAHASHI 2016/04/26 APPR: IKUSUHARA01 2016/04/28	GENERAL TOLERANCES (UNLESS SPECIFIED)		DIMENSION STYLE MM ONLY		SCALE ---	500797-***94	MODEL NO.	
	0.25 UNDER	UNDER	±0.03	DRAWN BY	DATE	DESIGN UNITS METRIC	THIRD ANGLE PROJECTION	
	0.25 OVER	0.5 UNDER	±0.05	YMAEDA	2006/03/07	◎	□	
	0.5 OVER	1.0 UNDER	±0.1	CHECKED BY	DATE	TITLE		
1.0 OVER	10 UNDER	±0.2	MTANAKA	2006/03/07	EMBSTP PKG FOR 0.3 FPC CONN (HGT=1.05MM) GOLD PLATING -LEAD FREE-			
10 OVER	30 UNDER	±0.25	APPROVED BY	DATE				
30 OVER		±0.3	NUKITA	2006/03/07				DOCUMENT NO. SD-500797-006
ANGULAR	±3 °		MATERIAL NO.		SHEET NO. 1 OF 3			
DRAFT WHERE APPLICABLE MUST REMAIN WITHIN DIMENSIONS				SIZE A3	THIS DRAWING CONTAINS INFORMATION THAT IS PROPRIETARY TO MOLEX ELECTRONIC TECHNOLOGIES, LLC AND SHOULD NOT BE USED WITHOUT WRITTEN PERMISSION			

10 9 8 7 6 5 4 3 2 1



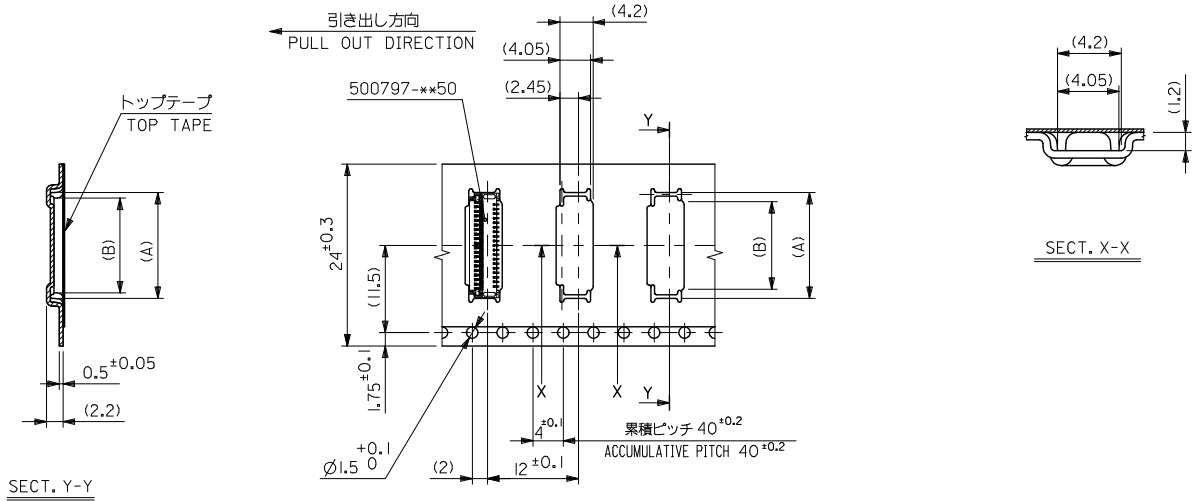
16mm幅キャリアテープ  
16mm WIDTH CARRIER TAPE

16	17.5	3.4	5.6	500797-1194	11
キャリアテープ幅 CARRIER TAPE WIDTH	C	(B)	(A)	製品番号 MATERIAL No.	極致 Ck+
				500797-**-**94	MODEL No.

REVISED IEC NO. J2016-1099 G1 DRW:MTAKASHI 04/2016/04/19 CHK:DKTAKASHI 2016/04/26 APPR:IKUSUHARA01 2016/04/28 REV DESCRIPTION	GENERAL TOLERANCES (UNLESS SPECIFIED)		DIMENSION STYLE		SCALE	DESIGN UNITS	THIRD ANGLE PROJECTION
			MM ONLY		---	METRIC	
	0.25 UNDER UNDER ±0.03	DRAWN BY		DATE	TITLE		
	0.25 OVER 0.5 UNDER ±0.03	YMAEDA		2006/03/07	EMBSTP PKG FOR 0.3 FPC CONN (HGT=1.05MM) GOLD PLATING -LEAD FREE-		
	0.5 OVER 4.0 UNDER ±0.1	CHECKED BY		DATE			
4.0 OVER 10 UNDER ±0.2	MTANAKA		2006/03/07				
10 OVER 30 UNDER ±0.25	APPROVED BY		DATE	DOCUMENT NO.		SHEET NO.	
30 OVER ±0.3	NUKITA		2006/03/07	SD-500797-006		2 OF 3	
ANGULAR ±3 °	MATERIAL NO.		SEE CHART				
DRAFT WHERE APPLICABLE MUST REMAIN WITHIN DIMENSIONS	SIZE A3	THIS DRAWING CONTAINS INFORMATION THAT IS PROPRIETARY TO MOLEX ELECTRONIC TECHNOLOGIES, LLC AND SHOULD NOT BE USED WITHOUT WRITTEN PERMISSION					

9 8 7 6 5 4 3 2 1

10 9 8 7 6 5 4 3 2 1



24mm幅キャリアテープ  
24mm WIDTH CARRIER TAPE

24	25.5	10.0	12.2	500797-3394	33
		9.4	11.6	500797-3194	31
		8.2	10.4	500797-2794	27
		7.0	9.2	500797-2394	23
キャリアテープ幅 CARRIER TAPE WIDTH	C	(B)	(A)	製品番号 MATERIAL No.	極致 CK+
				500797-***94	MODEL No.

REVISED EC NO. J2016-1099 DRAWN: MTAKASHI 04/2016/04/19 CHKD: MTAKASHI 2016/04/26 APPR: IKUSUHARA01 2016/04/28 REV DESCRIPTION	GENERAL TOLERANCES (UNLESS SPECIFIED)		DIMENSION STYLE	SCALE	DESIGN UNITS	THIRD ANGLE PROJECTION		
			MM ONLY	---	METRIC			
	±0.25	UNDER	UNDER	±0.03	DRAWN BY	DATE	TITLE	
	0.25	OVER	0.5	UNDER	±0.05	YMAEDA	2006/03/07	EMBSTP PKG FOR 0.3 FPC CONN (HGT=1.05MM) GOLD PLATING -LEAD FREE-
	0.5	OVER	1.0	UNDER	±0.1	MTANAKA	2006/03/07	molex
	1.0	OVER	3.0	UNDER	±0.2	NUKITA	2006/03/07	
3.0	OVER	10	UNDER	±0.25	MATERIAL NO.		DOCUMENT NO.	
10	OVER	30	UNDER	±0.3	SEE CHART		SD-500797-006	
30	OVER	ANGULAR	±3 °	SIZE		A3	SHEET NO.	
DRAFT WHERE APPLICABLE MUST REMAIN WITHIN DIMENSIONS			THIS DRAWING CONTAINS INFORMATION THAT IS PROPRIETARY TO MOLEX ELECTRONIC TECHNOLOGIES, LLC AND SHOULD NOT BE USED WITHOUT WRITTEN PERMISSION					3 OF 3

9 8 7 6 5 4 3 2 1