

## Excellent Integrated System Limited

Stocking Distributor

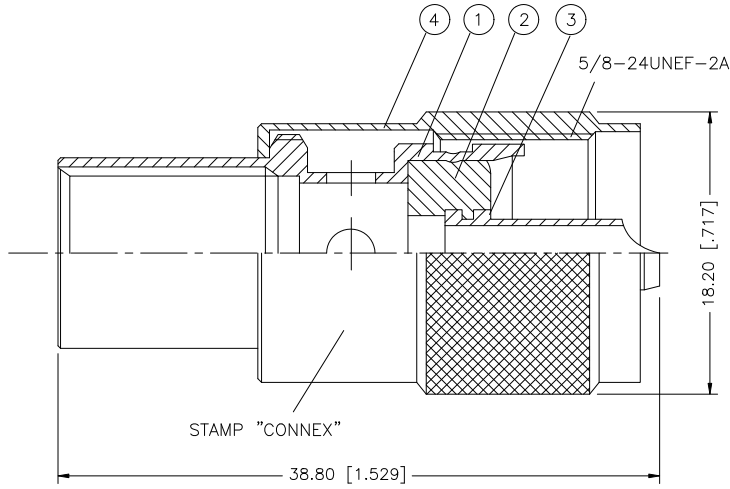
Click to view price, real time Inventory, Delivery & Lifecycle Information:

[Amphenol RF](#)  
[182106](#)

For any questions, you can email us directly:

[sales@integrated-circuit.com](mailto:sales@integrated-circuit.com)

REV.	DATE	ECR NO.	DESCRIPTION
NC	02/17/98	-	INITIAL RELEASE
A	05/31/06	-	UPDATE DRAWING FORMAT
B	03/16/09	-	REVISE INTERNAL BODY CONFIGURATION



				APPROVALS	DATE	<b>Amphenol Connex</b>				
8				DRAWN	GRS					03/16/09
7				CHECKED			PART NO. <b>182106</b>			
6				ISSUED						
5				SHEET	1 OF 1		DO NOT SCALE DRAWING			
4	COUPLING NUT	BRASS	NICKEL	1						
3	CONTACT PIN	BRASS	SILVER	1			UNLESS OTHERWISE SPECIFIED DIMENSIONS ARE IN MILLIMETERS; DIMENSIONS IN [ ] ARE IN INCHES AND FOR CUSTOMER REFERENCE ONLY.			
2	INSULATOR	PHENOLIC	YELLOW	1						
1	BODY	BRASS	NICKEL	1			UNLESS OTHERWISE SPECIFIED TOLERANCES FOR INCHES ARE: .020 - .315 = ± 0.007" .315 - 1.180 = ± 0.015" 1.180 - 4.724 = ± 0.020"			
	DESCRIPTION	MATERIAL	FINISH	QTY						
							DO NOT SCALE DRAWING			