

## Excellent Integrated System Limited

Stocking Distributor

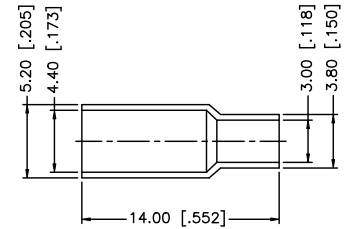
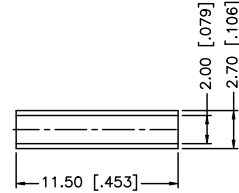
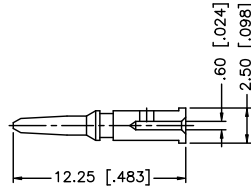
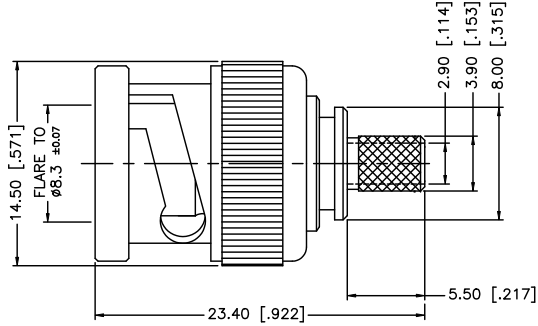
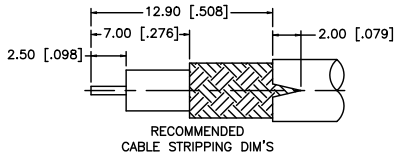
Click to view price, real time Inventory, Delivery & Lifecycle Information:

[Amphenol RF](#)  
[112491-10](#)

For any questions, you can email us directly:

[sales@integrated-circuit.com](mailto:sales@integrated-circuit.com)

REV.	DATE	ECR NO.	DESCRIPTION
D	01/14/03	-	UPDATE DRAWING FORMAT
E	04/17/06	-	UPDATE STRIPPING DIMENSIONS
F	09/29/08	-	ADD "75 ohms" TO DESCRIPTION/ MODIFY NOTE 2



NOTES:

1. CRIMPED FERRULE HEX CRIMP SIZE .178" [4.52]
2. CRIMPED CONTACT PIN HEX CRIMP SIZE .068" [1.73]

REV.	DATE	ECR NO.	DESCRIPTION
8			
7			
6			
5			
4			
3			
2			
1			

<small>UNLESS OTHERWISE SPECIFIED DIMENSIONS ARE IN MILLIMETERS. DIMENSIONS IN [ ] ARE IN INCHES AND FOR CUSTOMER REFERENCE ONLY.</small> <small>UNLESS OTHERWISE SPECIFIED TOLERANCES FOR MILLIMETERS ARE:</small> 0.5 - 8mm ± 0.20mm 8 - 30mm ± 0.40mm 30 - 120mm ± 0.50mm <small>UNLESS OTHERWISE SPECIFIED TOLERANCES FOR INCHES ARE:</small> .020 - .315 = ± 0.007" .315 - 1.180 = ± 0.015" 1.180 - 4.724 = ± 0.020"				APPROVALS DRAWN GRS CHECKED ISSUED SHEET 1 OF 1	DATE 09/29/08	<h2 style="text-align: center;">Amphenol Connex</h2>
FERRULE COPPER NICKEL 1 SLEEVE DELRIN NATURAL 1 CONTACT PIN BRASS GOLD 1 INSULATOR PTFE NATURAL 1 BODY BRASS NICKEL 1	DO NOT SCALE DRAWING	CAD FILE C:/112/112491-10.DWG	PART DESCRIPTION <h3 style="text-align: center;">BNC CRIMP PLUG - 75 ohms (FOR 100mHz RGB CABLE)</h3>			
DESCRIPTION MATERIAL FINISH QTY	PART NO. <h3 style="text-align: center;">112491-10</h3>		DWG. NO. 112491-10.DWG REV. F SIZE A SCALE NA			