

Excellent Integrated System Limited

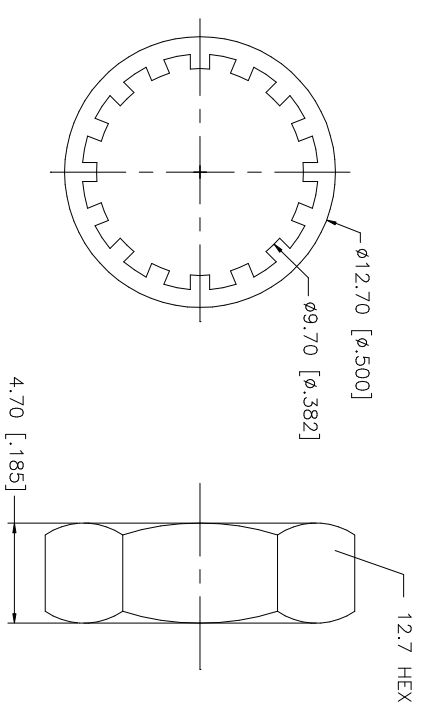
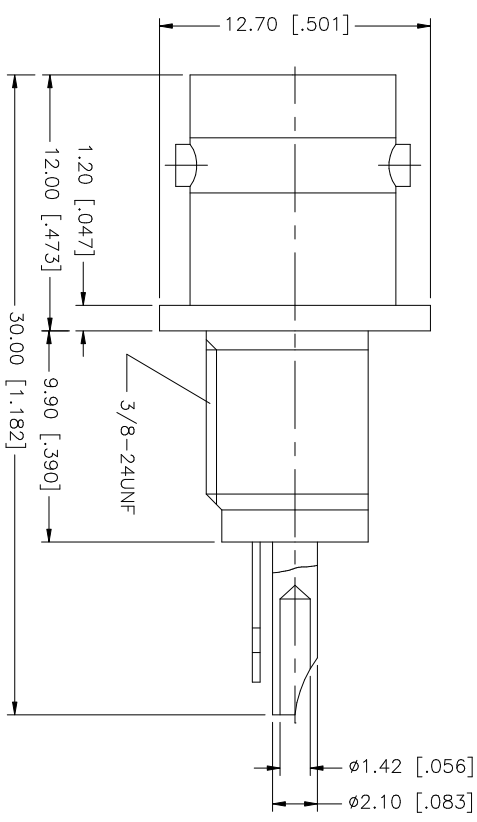
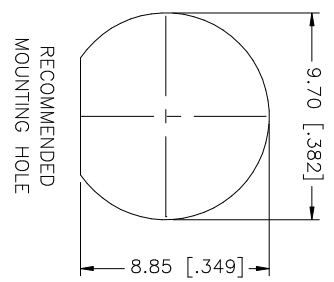
Stocking Distributor

Click to view price, real time Inventory, Delivery & Lifecycle Information:

[Amphenol RF](#)
[112432](#)

For any questions, you can email us directly:
sales@integrated-circuit.com

REV.	DATE	DESCRIPTION
A	11/19/03	UPDATE DRAWING FORMAT



NOTE:

1. MAX. PANEL THICKNESS = 3.2mm
2. RECOMMENDED TORQUE: A MAXIMUM 12 INCH-LBS MAY BE APPLIED ON HEX NUT WHEN MOUNTING CONNECTOR IN PANEL

8					UNLESS OTHERWISE SPECIFIED DIMENSIONS ARE IN MILLIMETERS DIMENSIONS IN [] ARE IN INCHES AND FOR CUSTOMER REFERENCE ONLY.
7					UNLESS OTHERWISE SPECIFIED TOLERANCES FOR MILLIMETERS ARE:
6	LOCK WASHER	BRASS	NICKEL	1	0.5 - 8mm ± 0.20mm
5	HEX NUT	BRASS	NICKEL	1	8 - 30mm ± 0.40mm
4	CONTACT PIN	PHOS. BRONZE	GOLD	1	30 - 120mm ± 0.50mm
3	INSULATOR	TEFLON	NATURAL	1	UNLESS OTHERWISE SPECIFIED TOLERANCES FOR INCHES ARE:
2	BODY	BRASS	NICKEL	1	.020 - .315 = ± 0.007"
1					.315 - 1.180 = ± 0.015"
					1.180 - 4.724 = ± 0.020"
	DESCRIPTION	MATERIAL	FINISH	QTY	DO NOT SCALE DRAWING
		APPROVALS		DATE	
		DRAWN G.R.S.		11/19/03	
		CHECKED			
		ISSUED			
		SHEET 1 OF 1			
		PART NO.			
		112432			
		PART DESCRIPTION			
		BNC BULKHEAD RECEPTACLE			
		ISOLATED JACK - 75ohm			
		DWG. NO.			
		112432.DWG			
		REV. A			
		SIZE A			
		SCALE NA			

Amphenol Connex